

## PRODUCT DATA SHEET

### P/N 624 1018 3 01

#### Crimping dies for use with following crimping tools and machines



P/N 624 000 6  
P/N 624 000 3



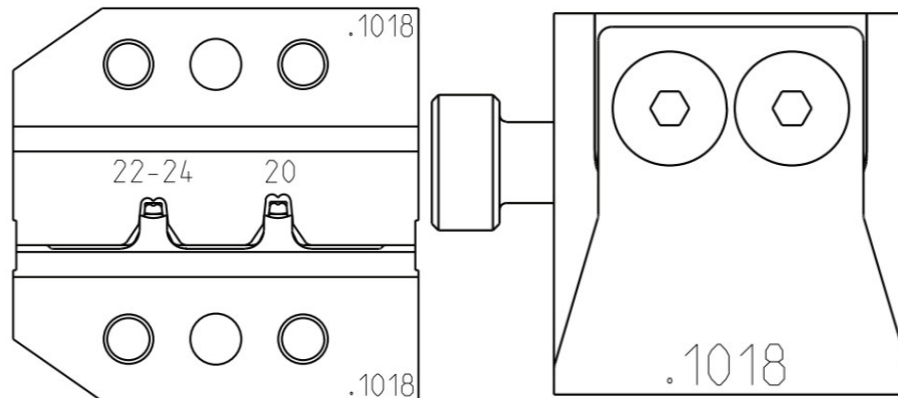
P/N 6370 0100 1



P/N 636 025-1  
P/N 636 025-5  
P/N 636 025-3

**Product Description** Die Set 12.1018 incl. locator

**Product Image**



**Product range mm<sup>2</sup> or AWG** 22-24 AWG

**Applications Contact P/N**

Contact Description	Manufacturer	P/N Contact on Reel	Type	Range in AWG
3.00 Female Crimp Contact	Würth Elektronik	66200113722	Female	AWG 24 - AWG 22
3.00 Male Crimp Contact	Würth Elektronik	66200213722	Male	AWG 24 - AWG 22

## **X-ON Electronics**

Largest Supplier of Electrical and Electronic Components

*Click to view similar products for [remsteig](#) manufacturer:*

Other Similar products are found below :

[9R 457 100 5](#) [624 031 3 0](#) [624 691 3 0](#) [624 050 0 01](#) [6900001](#) [616 006 3 1](#) [636 0723 3 01](#) [636 0733 3 01](#) [707 020](#) [624 479 3 0](#) [624 045 3 0](#)  
[624 032 3 0](#) [9R 430 120 0](#) [430129](#)