

SSC Series, Specification Grade Discrete Plug-in, Time Delay Relay

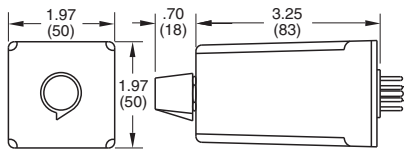


Product Facts

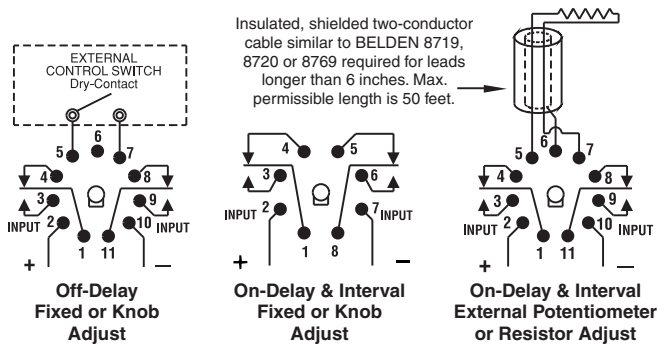
- On-Delay, Off-Delay and Interval timing modes
- 13 timing ranges from 0.1 sec. to 60 min.
- 10A DPDT output contacts
- Excellent repeatability of $\pm 1\%$ or better.
- Exceptional immunity to transients and noise.
- Wide operating temperature range.
- File 3520, File LR29186



Users should thoroughly review the technical data before selecting a product part number. It is recommended that user also seek out the pertinent approvals files of the agencies/laboratories and review them to ensure the product meets the requirements for a given application.



Outline Dimensions



Wiring Diagrams (Bottom Views)

BELDEN is a trademark of Belden Technologies, Inc.

Timing Specifications

Timing Modes

On-Delay, Off-Delay and Interval.

Timing Ranges — 6 to 180 cycles; 0.1 to 3 / 0.1 to 10 / 0.33 to 10 / 1 to 30 / 4 to 120 sec.; 0.33 to 10 / 1 to 30 / 2 to 60 min.; 0.33 to 10 hr. (All are +10%, -1% of maximum values).

Timing Adjustment — Knob or fixed time (internal fixed resistor) — all models; customer supplied external potentiometer or resistor — On-Delay and Interval models only.

Accuracy

Repeat Accuracy — $\pm 1\% \pm 0.004$ sec. at any combination of operating temperature and voltage.

Overall Accuracy — $\pm 5.25\%$ throughout operating temperature and voltage ranges.

Reset Time — 25 ms. (minimum deenergized interval for on-delay or off-delay models, or minimum required closure interval for interval models without affecting accuracy.)

Relay Operate Time — Off-Delay mode only: 35 ms.

Relay Release Time — On-Delay mode only: 20 ms.

Contact Data @ 25°C

Arrangements — 2 Form C (DPDT).

Rating — 10A @ 28VDC or 120VAC, resistive; 1/3 HP @ 120/240VAC.

Expected Mechanical Life — 10 million operations

Expected Electrical Life — 500,000 operations, min., at rated resistive load.

Initial Dielectric Strength

Between Terminals and Case — 1,000VAC plus twice the nominal voltage for one minute.

Input Data @ 25°C

Voltage — See Ordering Information section for details.

Power Requirement — 3W max.

Transient Protection

Non-repetitive transients of the following magnitudes will not cause spurious operation of affect function and accuracy.

Operating Voltage	<0.1 ms	<1 ms
12VDC	1,000V	240V*
12VDC	1,000V	240V*
24VAC/VDC	1,000V	240V*
48 VAC/VDC	1,000V	480V*
120 VAC/VDC	3,000V	2,500V*
240VAC	3,000V	2,500V*

*Minimum source impedance of 100 ohm

Environmental Data

Temperature Range

Storage — -40°C to +85°C
Operating — -30°C to +65°C

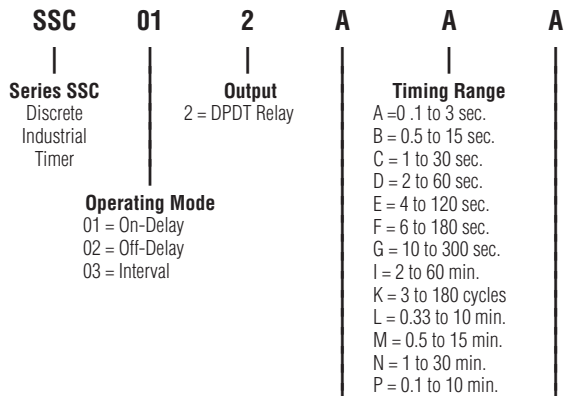
Mechanical Data

Mounting/Termination

8- or 11-pin octal type plug. 8-pin types fit either 27E122 or 27E891, while 11-pin types fit 27E123 or 27E892.

Weight — 4 oz. (112g) approximately

Ordering Information



Operating Voltage (+10%, -15%)

- A = 120VAC, 50/60 Hz. / 120VDC
- B = 240VAC, 50/60 Hz.
- E = 24VAC, 50/60 Hz. / 24VDC
- F = 48VAC, 50/60 Hz. / 48VDC
- Q = 12VDC ($\pm 10\%$)

Timing Adjustment

- A = Knob Adjust
- B = External Potentiometer or resistor (Operating modes 1 and 3 only).
- F = Fixed Times — Specify time delay in seconds per the following examples:
F9.000 = 9 sec.
F99.00 = 99 sec.
F999.0 = 9999 sec.
F1000 = 1000 sec.

Authorized distributors are likely to stock the following:

SSC12AAA	SSC12ACA	SSC12AGA
SSC12ABA	SSC12ADA	SSC12ALA

X-ON Electronics

Largest Supplier of Electrical and Electronic Components

Click to view similar products for [Time Delay & Timing Relays](#) category:

Click to view products by [TE Connectivity](#) manufacturer:

Other Similar products are found below :

[7012GD](#) [7012L10BN](#) [7012L10DY1N](#) [7012L10FN](#) [7012L10HN](#) [7012L26K](#) [7012L8AI2LLSN](#) [7012L8BN](#) [7012L8KN](#) [7012OBILM](#)
[7012OIT](#) [7012PALL](#) [7012PDM](#) [7012PFX](#) [7022L10DN](#) [7022L8BN](#) [7022L8EN](#) [7022L8HN](#) [7022X3D](#) [7024NB](#) [7024SCT](#) [88256455](#) [H3BG-](#)
[N8H](#) [AC110V](#) [H3CRF8AC2448DC1248](#) [1423151-3](#) [1423154-8](#) [1423462-7](#) [1423618-6](#) [1423151-5](#) [1423156-7](#) [1423618-4](#) [2112AH1SDC947](#)
[2122DH1NJC467](#) [2122DH1PE](#) [2-1617805-2](#) [2-1617805-6](#) [K61C-08](#) [286XCXC-300-24D](#) [SCBRX022XXACXAC991](#) [SHS10S110A](#)
[SHS20M220A](#) [1755074-5](#) [SSC12AKA](#) [FAASPRING2](#) [2112DH3NDC50-13](#) [2122DH34NDC629](#) [2-1437479-8](#) [2-1617805-1](#) [2-1617805-3](#) [2-](#)
[1617805-7](#)