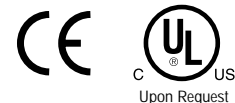


Standard Features

- **Protection Level:** IP66 (NEMA 4X)
- **Technical:** Smooth or Knockout Sidewalls
Gray or Tinted Transparent Cover ^①
Multiple Enclosure Mounting Options
- **Enclosure Material:** Polystyrene or Polycarbonate
- **Gasket Material:** Polyurethane
- **Color:** Light Gray
- **Temperature Range:** Polystyrene
-40°C to 70°C (-40°F to 158°F)
Polycarbonate
-35°C to 120°C (-31°F to 248°F)
- **Accessories:** See section below



Smooth Sidewalls

Polystyrene

Polycarbonate

| Ordering Information | Height mm (in) | Cat. No. | Type | Cover Color | Std. Pk. | Cat. No. | Type | Cover Color | Std. Pk. |
|--------------------------|-----------------|----------|------------|-------------|----------|----------|------------|-------------|----------|
| ☐ Enclosure - low cover | 57 mm (2.24 in) | 110-402 | PS 97-6-o | gray | 5 | 120-402 | PC 97-6-o | gray | 5 |
| ☐ Enclosure - high cover | 81 mm (3.19 in) | 110-902 | PS 97-8-o | gray | 5 | 120-902 | PC 97-8-o | gray | 5 |
| ☐ Enclosure - low cover | 57 mm (2.24 in) | 111-002 | PS 97-6-to | trans. | 5 | 130-002 | PC 97-6-to | trans. | 5 |
| ☐ Enclosure - high cover | 81 mm (3.19 in) | 111-502 | PS 97-8-to | trans. | 5 | 130-502 | PC 97-8-to | trans. | 5 |

Sidewalls with PG Knockouts (metric available)

Polystyrene

Polycarbonate

| Ordering Information | Height mm (in) | Cat. No. | Type | Cover Color | Std. Pk. | Cat. No. | Type | Cover Color | Std. Pk. |
|--------------------------|-----------------|----------|-----------|-------------|----------|----------|-----------|-------------|----------|
| ☐ Enclosure - low cover | 57 mm (2.24 in) | 115-402 | PS 97-6 | gray | 5 | 125-402 | PC 97-6 | gray | 5 |
| ☐ Enclosure - high cover | 81 mm (3.19 in) | 115-902 | PS 97-8 | gray | 5 | 125-902 | PC 97-8 | gray | 5 |
| ☐ Enclosure - low cover | 57 mm (2.24 in) | 116-002 | PS 97-6-t | trans. | 5 | 135-002 | PC 97-6-t | trans. | 5 |
| ☐ Enclosure - high cover | 81 mm (3.19 in) | 116-502 | PS 97-8-t | trans. | 5 | 135-502 | PC 97-8-t | trans. | 5 |

RK Enclosures with Terminal Blocks

| Ordering Information | Height | Cat. No. | Type | Cover Color | Std. Pk. |
|------------------------------------|-----------------|----------|------|-------------|----------|
| Enclosure - 5 pole/12 AWG Terminal | 57 mm (2.24 in) | 605-404 | RK97 | gray | 5 |
| Enclosure - DIN Rail only (TS15) | 57 mm (2.24 in) | 605-904 | RK97 | gray | 5 |

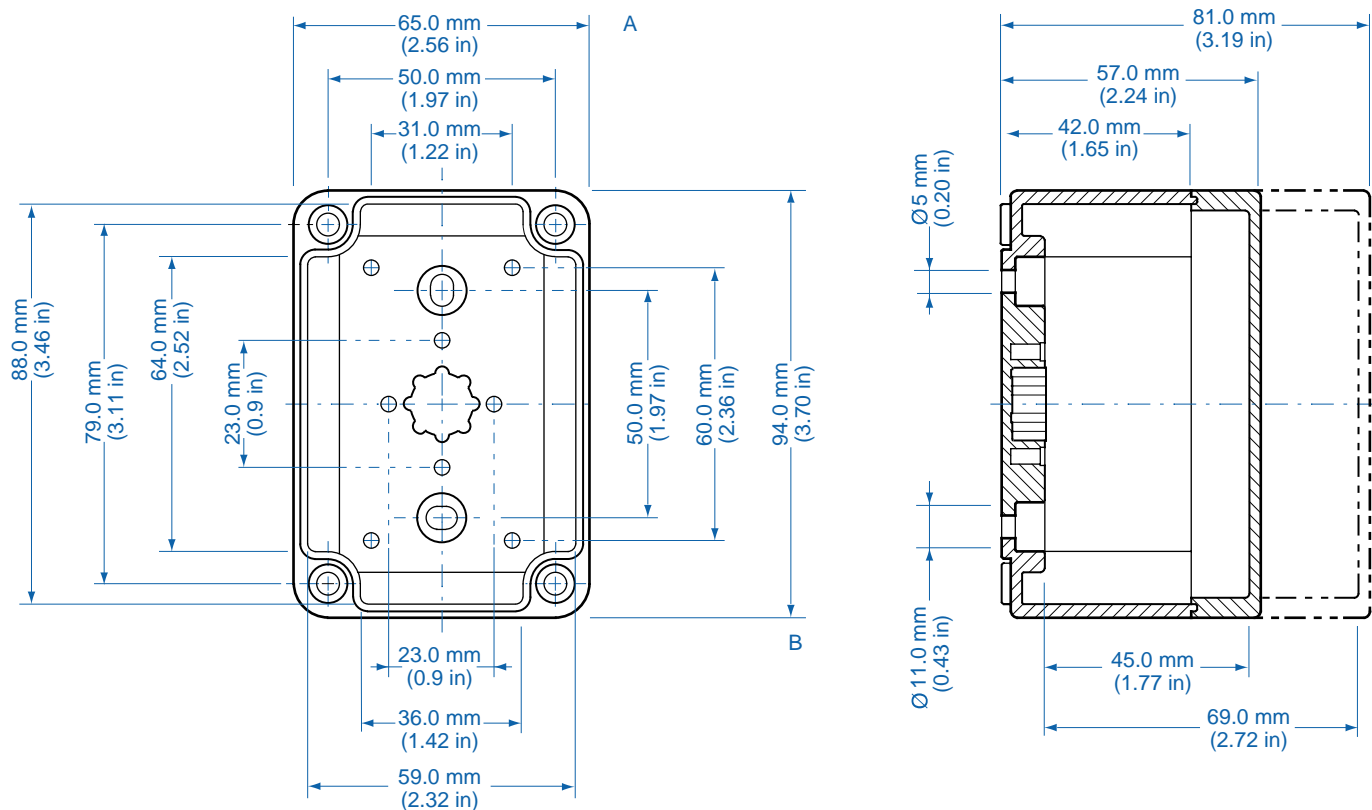
Accessories

| Ordering Information | Cat. No. | Type | Std. Pk. |
|----------------------|----------|----------|----------|
| Mounting Plate | 195-002 | MP97 | 1 |
| DIN Rail TS15-80mm | Z-630 | TS 15/80 | 1 |
| Hinge Kit Set | 190-002 | HK1 | 1 |
| Mounting Tab Kit | 194-001 | MT1 | 1 |

Please refer to pages 106-113 for additional accessories and detailed information.

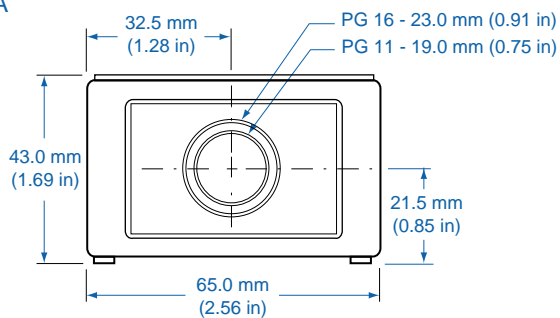
^① Clear transparent lids available upon request

Dimensions

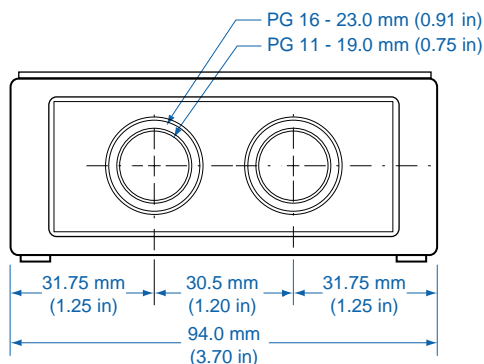


Knockout Positions [®]

Side A



Side B



[®] Metric knockouts available upon request

X-ON Electronics

Largest Supplier of Electrical and Electronic Components

Click to view similar products for [Enclosures, Boxes, & Cases](#) category:

Click to view products by [Altech](#) manufacturer:

Other Similar products are found below :

[CR-425 PAINTED](#) [585-R-WH-PK](#) [M-10-PLATED](#) [60221-01](#) [60566-01-000](#) [HPL-9VB BATT DOOR](#) [M-16-LID-PLATED](#) [M18-PLTD](#) [M-21-LID-PLATED](#) [M-21-PLATED](#) [M-23-PLATED](#) [CU-281-MB](#) [6711GSKT](#) [71884-29-028](#) [LH45-100 Black](#) [7200B](#) [72868-510-000](#) [CNS-0000 Black](#) [72883-510-000](#) [CNS-0101 Black](#) [72906-510-000](#) [CNS-0407 Black](#) [73091-510-000](#) [CNM-0000-BLACK Kit](#) [73092-510-000](#) [CNM-0101 Black](#) [73108-510-000](#) [CNL-0303 Black](#) [73395-510-039](#) [CNS-0006 Bone](#) [74257-510-000](#) [CNL-0004](#) [MDC-1183-PLAIN-ALUM](#) [MDC-1183-PTD](#) [MDC-13104-PLAIN-ALUM](#) [MDC-211 - PAINTED IVORY/BEIGE](#) [MDC-321-PTD](#) [MDC-432-PLAIN-ALUM](#) [MDC-973-PTD](#) [76](#) [77153-01-028](#) [FLX6030](#) [83535-01-508](#) [PS-11296-G](#) [PS-11298-B](#) [116-508](#) [120-407](#) [120-412](#) [120-909](#) [120-455](#) [R272-100-000](#) [120-910](#) [R501-001-010](#) [R508-080-000](#) [R508-160-000](#) [R530-120-000](#) [R530-122-000](#) [R530-200-000](#) [R531-160-000](#) [R531-200-000](#) [R582-080-100](#)