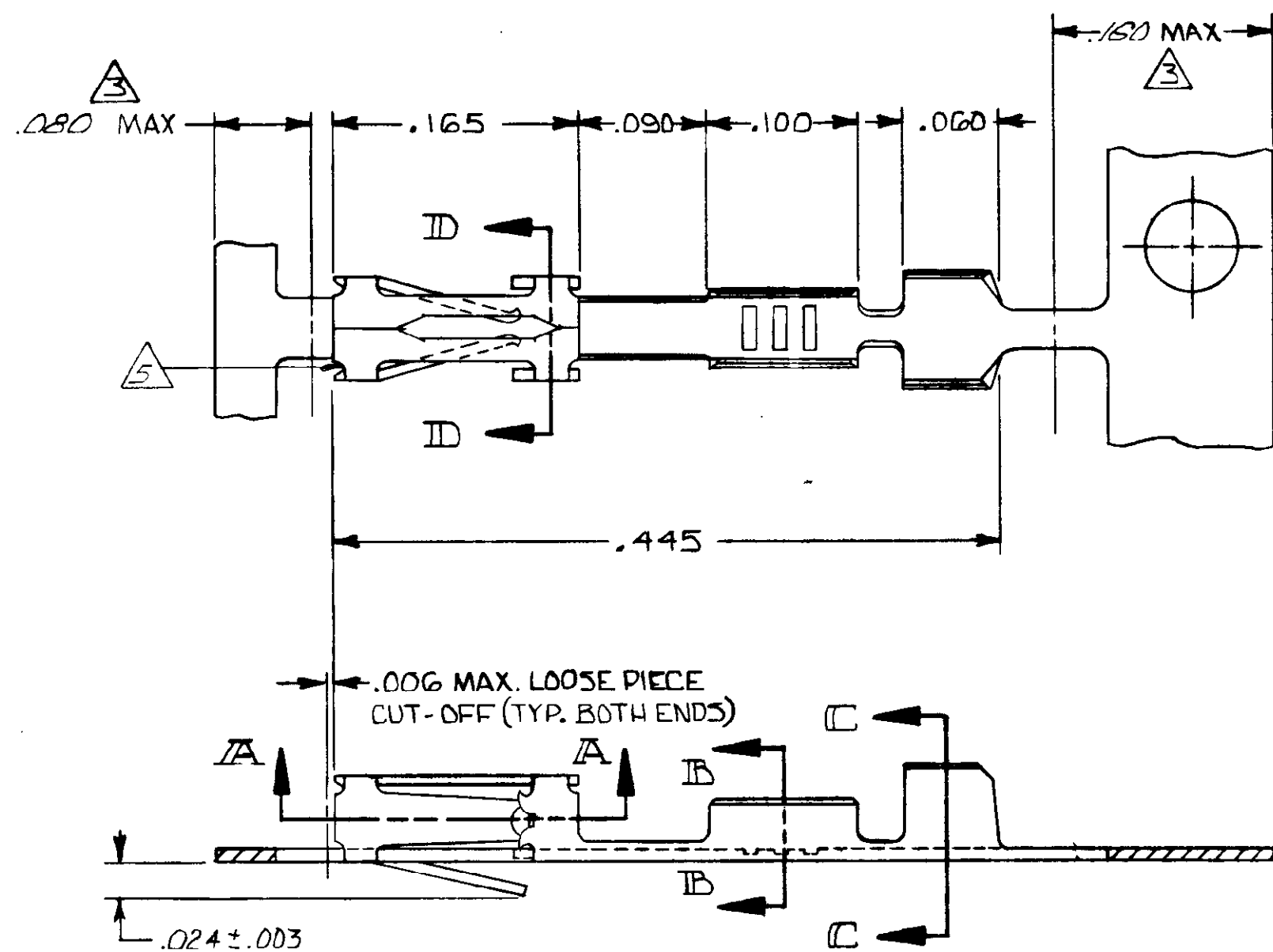
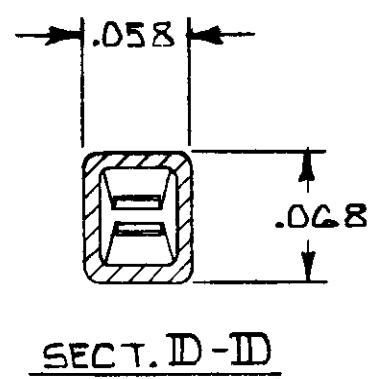
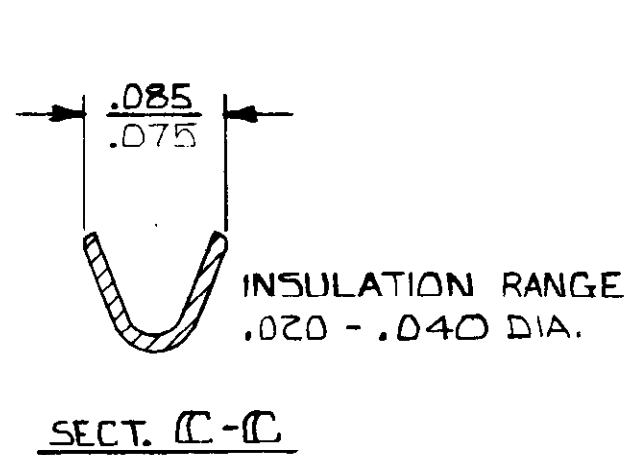
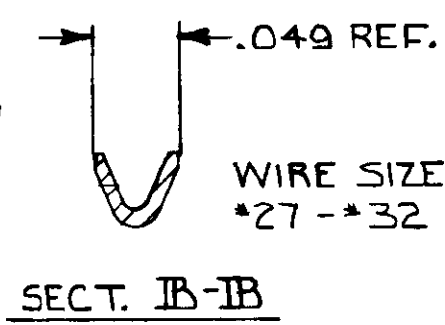
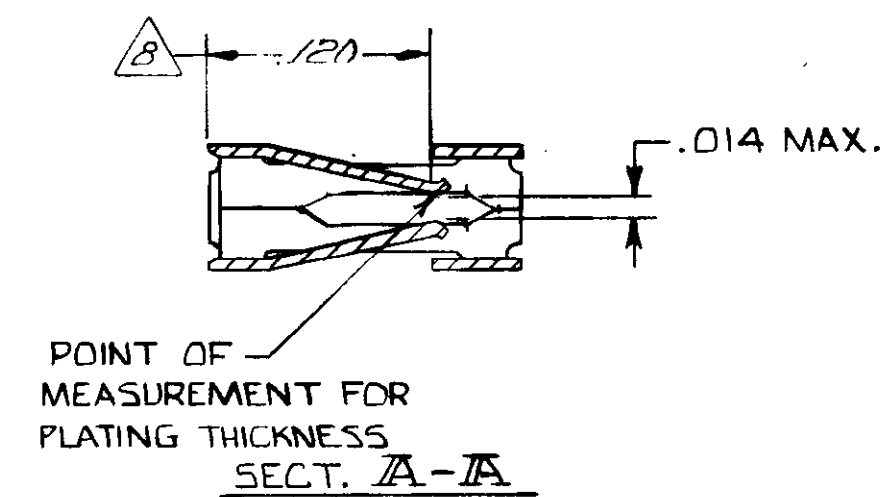


THIS DRAWING IS UNPUBLISHED. RELEASED FOR PUBLICATION  
 (C) COPYRIGHT ALL RIGHTS RESERVED.

| REVISIONS |   |      |     |                           |           |     |          |
|-----------|---|------|-----|---------------------------|-----------|-----|----------|
| P         | F | ZONE | LTR | DESCRIPTION               | DATE      | DWN | APPROVED |
|           |   |      | N   | REVISED PER ECO-15-004633 | 30MAY2015 | NK  | JO       |



- 1 .00030 GOLD ON CONTACT AREA, GOLD FLASH ON REMAINDER, OVER .000050 NICKEL.
- 2 .00015 GOLD ON CONTACT AREA, GOLD FLASH ON THE REMAINDER, OVER .000050 NICKEL.
- 3 GOLD PLATING NOT REQUIRED IN THIS AREA.
- 4 .000100-.000200 BRIGHT TIN OVER .000030 NICKEL.
- 5 CUT OUTS ON BOX AT MANUFACTURER'S OPTION.
- 6 .000050 GOLD ON CONTACT AREA, GOLD FLASH ON THE REMAINDER, OVER .000050 NICKEL.
- 7 .000015 GOLD ON CONTACT AREA, .000050 NICKEL OVER THE ENTIRE TERMINAL
- 8 POINT OF MEASUREMENT FOR PLATING THICKNESS (INSIDE BEAMS)
- 9 OBSOLETE PART NUMBER.
- 10 SUPERSEDED BY 102917-2.
- 11 OBSOLETE PARTS: OBSOLETE CIS STREAMLINING PER D.RENAUD/D.SINISI



|                      |                       |                       |
|----------------------|-----------------------|-----------------------|
| OBSOLETE             | <del>1-9-4</del>      | <del>1-102917-3</del> |
| OBSOLETE             | <del>1-102917-2</del> | <del>1-102917-1</del> |
|                      | 102917-6              | 102917-5              |
| OBSOLETE             | <del>102917-4</del>   | <del>102917-3</del>   |
|                      | 102917-2              | 102917-1              |
| LOOSE PIECE PART NO. | FINISH                | PART NO               |

|   |                               |  |   |                         |                             |                 |
|---|-------------------------------|--|---|-------------------------|-----------------------------|-----------------|
| UNLESS OTHERWISE SPECIFIED DIMENSIONS ARE IN INCHES.<br>TOLERANCES ON:<br>DECIMALS ± .005<br>ANGLES | CONTRACT NO                   |  | TE Connectivity                                   |                         |                             |                 |
|   | DR <i>R. A. Cook 3/15/82</i>  |  |   |                         |                             |                 |
| MATERIAL<br>CU-NI-SI  | CHR <i>[Signature]</i>        |  | NAME<br>CONTACT, FEMALE, MOD IV,<br>CRIMP SNAP-IN |                         |                             |                 |
|   | APPD <i>R. Chiles 3/25/82</i> |  |   |                         |                             |                 |
| FINISH<br>SEE TABLE   | DSGN APPD <i>[Signature]</i>  |  | SIZE<br><b>C</b>                                  | FSCM NO<br><b>00779</b> | DRAWING NO<br><b>102917</b> | REV<br><b>N</b> |
|   | OTHER APPD                    |  | SCALE   | SHEET 1 OF 1            |                             |                 |

102917

## X-ON Electronics

Largest Supplier of Electrical and Electronic Components

*Click to view similar products for [Headers & Wire Housings](#) category:*

*Click to view products by [TE Connectivity](#) manufacturer:*

Other Similar products are found below :

[95000-104TRLF](#) [10135584-644402LF](#) [DF62W-EP2022PCA](#) [95000-106TRLF](#) [DF62W-2022SCA](#) [DF62W-EP2022PC](#) [2203348](#) [DF62W-2022SC](#) [1084018](#) [1029039](#) [1084017](#) [802-10-012-10-002000](#) [1112640](#) [1112639](#) [000-34000](#) [0009482033](#) [0009507031](#) [57102-S06-03LF](#) [57202-S52-04LF](#) [PCN6-15S-2.5E](#) [0039019024](#) [58102-G61-06LF](#) [582553-1](#) [0009485154](#) [0009508121](#) [0022285053](#) [0050291907](#) [018731A](#) [LY20-4P-DT1-P1E-BR](#) [02.125.8002.8](#) [60101931](#) [60598-1 \(Cut Strip\)](#) [M1625-3R/100](#) [61062-3](#) [61082-181009](#) [636-1427](#) [638009-1](#) [641938-9](#) [641991-4](#) [644168-1](#) [647662-1](#) [65039-019ELF](#) [65817-002LF](#) [65817-015LF](#) [65863-015LF](#) [66207-023LF](#) [67016-026LF](#) [67046-001LF](#) [67095-007LF](#) [67230-005LF](#)