

4

3

2

1

THIS DRAWING IS UNPUBLISHED
VERTRAULICHE UNVERÖFFENTLICHE ZEICHNUNG

RELEASE FOR PUBLIKATION
FREI FUER VERÖFFENTLICHUNG

MATED WITH:
PASSEND ZU:

LOC

DIST

REVISIONS
ÄNDERUNGEN

© COPYRIGHT 2000

BY AMP INCORPORATED

ALL RIGHTS RESERVED
ALLE RECHTE VORBEHALTEN

BG5

AI

-

P

LTR

DESCRIPTION
BESCHREIBUNG

DATE

DWN

APVD

PROJEKT NR.
EGGMA05416

A1

NEW DRAWN

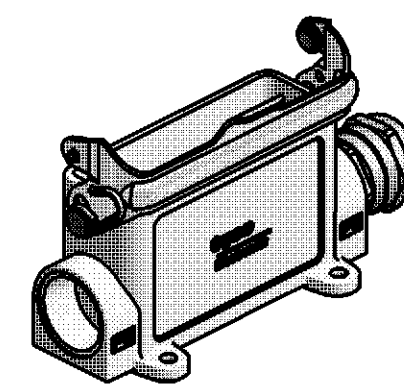
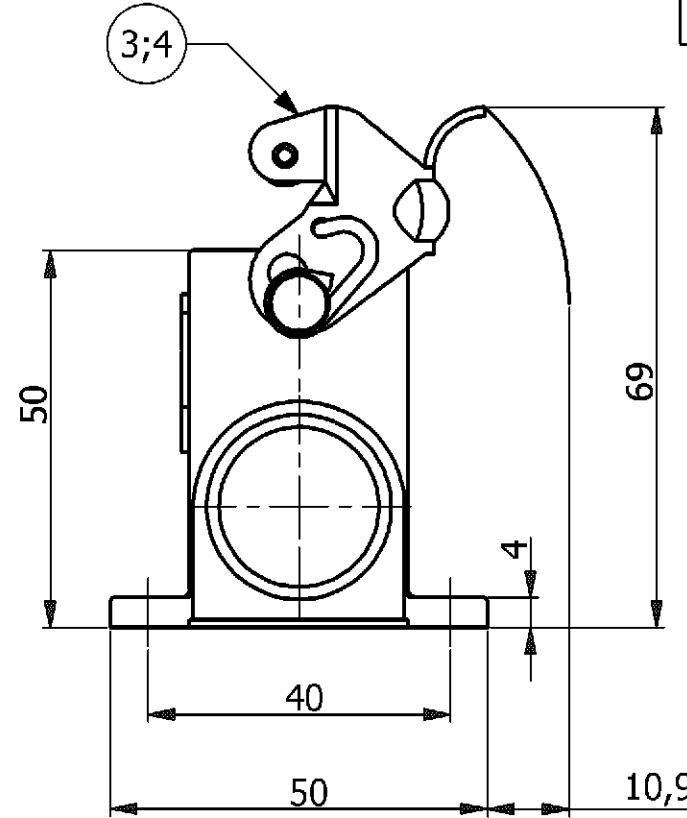
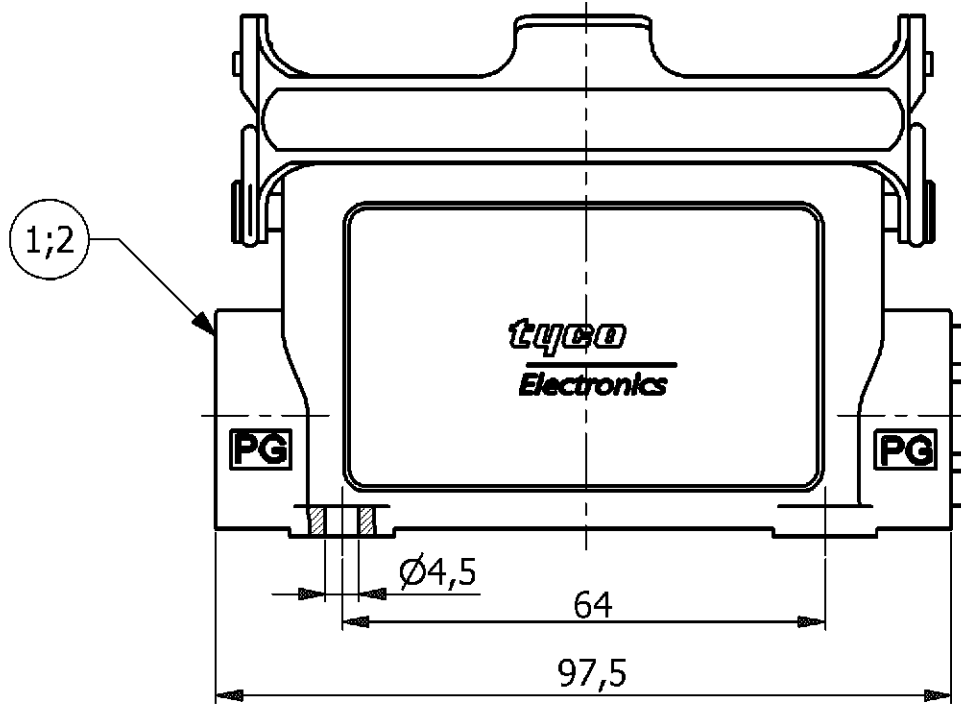
3/10/2006

PB

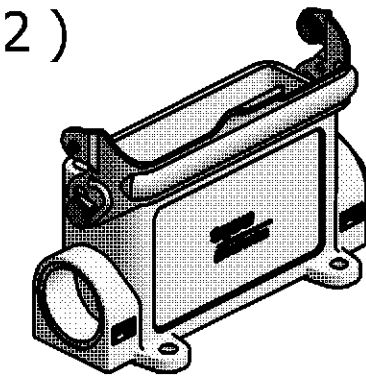
ST

NOTES

- 1 PACKAGING QUANTITY: 5 PIECES PER BOX
- 2 MATERIAL: HOUSING: ALUMINIUM DIECASTING ALLOY
- 3 FINISH: POWDER COATED OR CORROSION PROTECTION
- 4 VARNISH ON THE INSIDE NOT NECESSARY



(1:2)



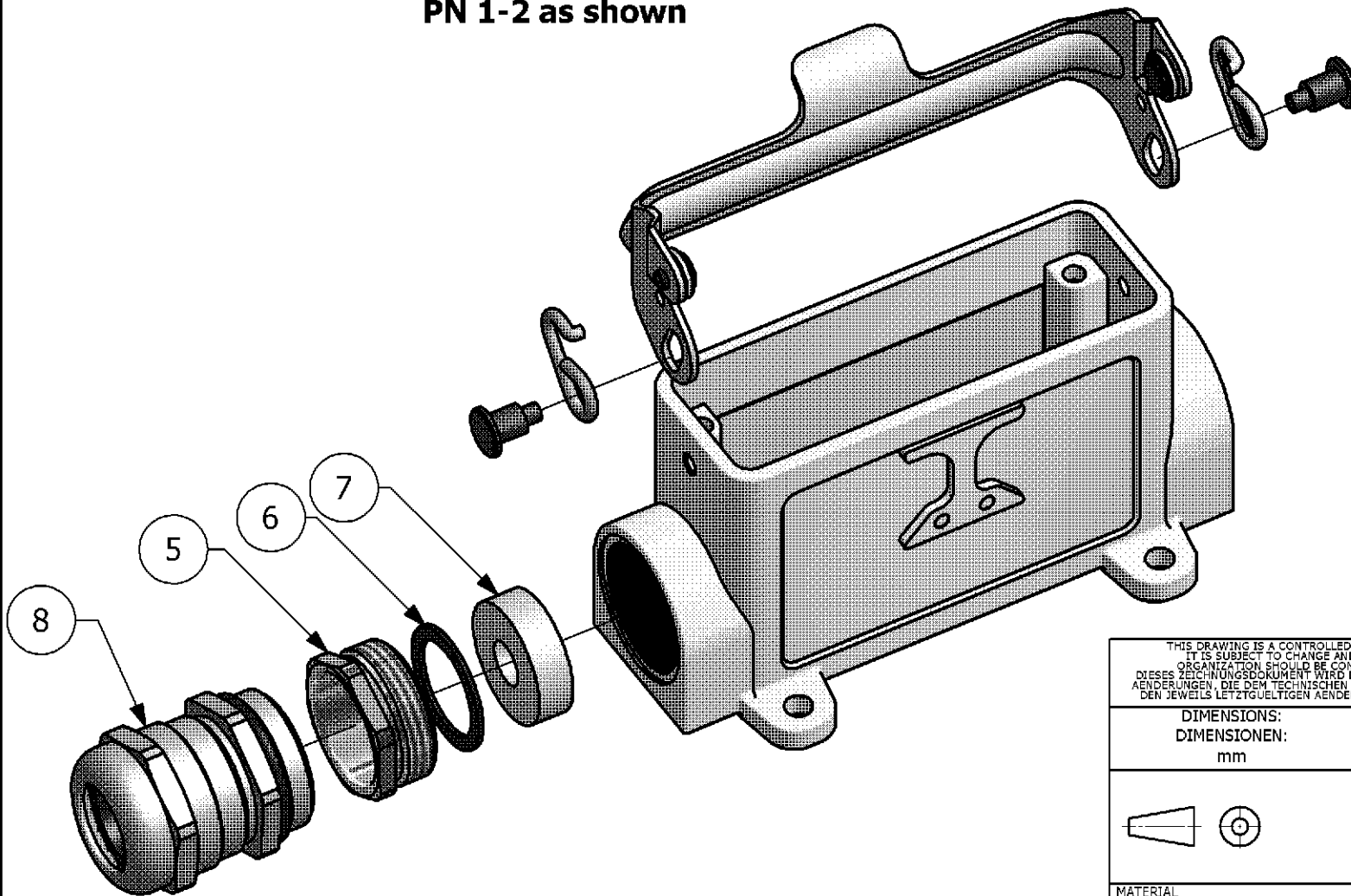
PN 1-2 as shown

PN 2-2

PN 1-2

Ordering Text
HA-K.16.SG-LB.2.16

Ordering Text
HA.16.SG-LB.2.16



1	2	3	3				
1	-	Cable Fitting	Brass	Nickel Plated	Blue	8	-
-	1	Pressing Ring	Neoprene	-	Black	7	-
-	1	Close Ring	Steel	Zinc Plated	Blue	6	-
-	1	Pressing Screw	Brass	Nickel Plated	Blue	5	-
1	-	Side Clip	V2A/ Steel	Zinc Plated	Blue	4	-
-	1	Side Clip	Steel	-	-	3	-
1	-	Surface Mounted Housing HA.16	Aluminium	Aluminium Oxide	Grey	2	-
-	1	Surface Mounted Housing HA.16	Aluminium	-	Grey	1	-
2-2	1-2	DESCRIPTION	MATERIAL	SURFACE	COLOR	ITEM	REMARKS

PART LIST

THIS DRAWING IS A CONTROLLED DOCUMENT FOR AMP INCORPORATED. IT IS SUBJECT TO CHANGE AND THE CONTROLLING ENGINEERING ORGANIZATION SHOULD BE CONTACTED FOR THE LATEST REVISION. DIESSES ZEICHNUNGSDOKUMENT WIRD DURCH AMP INCORPORATED KONTROLLIERT. ÄNDERUNGEN, DIE DEM TECHNISCHEN FORTSCHRITT DIENEN, SIND VORBEHALTEN. DEN JEWELIGS LETZTGÜLTIGEN ÄNDERUNGSSTAND ERFAHREN SIE AUF ANFRAGE.		DWN	P.BENNUR	3/10/2006	 Tyco / Electronics AMP GmbH D - 53819 Neunkirchen
DIMENSIONS: DIMENSIONEN: mm		CHK	R.SRINIVAS	3/10/2006	
TOLERANCES UNLESS OTHERWISE SPECIFIED: ALLGEMEINTOLERANZEN n. ISO 8015 - mH-E n. ISO 2768 - 140 n. DIN 16901-		APVD	T.SCHNURPFEIL	3/10/2006	SURFACE MOUNTED HOUSING HA.16.SG-LB.1.16
0 PLC # 1 PLC # 2 PLC # 3 PLC # ANGLES / WINKEL #		PRODUCT SPEC. PRODUKTSPEZ.			
MATERIAL		APPLICATION SPEC. VERARBEITUNGSSPEZ.			RESTRICTED TO NUR FUER
FINISH / OBERFLÄECHE / FARBE		WEIGHT GEWICHT	A3 00779		DRAWING NO. ZEICHNUNGS-NR. 1102142
CUSTOMER DRAWING / KUNDENZEICHNUNG		SCALE MASSSTAB	1:1	SHEET BLATT	1 OF VON 1
		REV.	A1		

X-ON Electronics

Largest Supplier of Electrical and Electronic Components

Click to view similar products for [Heavy Duty Power Connectors](#) category:

Click to view products by [TE Connectivity](#) manufacturer:

Other Similar products are found below :

[1424439](#) [1424438](#) [09330062652](#) [2-8675P1](#) [605601-1](#) [6340G1](#) [6341G1](#) [6360G1](#) [6373G1](#) [6374g2](#) [6396G1](#) [647757-1](#) [66394-4](#) [6643411-1](#)
[6646058-2](#) [6646137-1](#) [6646138-1](#) [6646348-1](#) [6646479-1](#) [6646608-1](#) [6646786-1](#) [6646940-1](#) [6651091-1](#) [6651525-1](#) [6651529-1](#) [6651778-1](#)
[6651788-1](#) [696465-1](#) [696475-1](#) [73000005059](#) [73000005349](#) [73000005642](#) [73080255059](#) [73080965046](#) [765-15-0080A](#) [765-16-0080B](#)
[789.700-44](#) [789.700-54](#) [80-1010](#) [80-9](#) [827381-1](#) [829992-1](#) [902-77-02113](#) [PL00U-301-10D10](#) [PM103MOOLOO](#) [PM16S1620S32-50](#)
[PM212MOOLOO](#) [PM309FOOLOO](#) [PM324FOOLCH](#) [PMHPAF11S03](#)