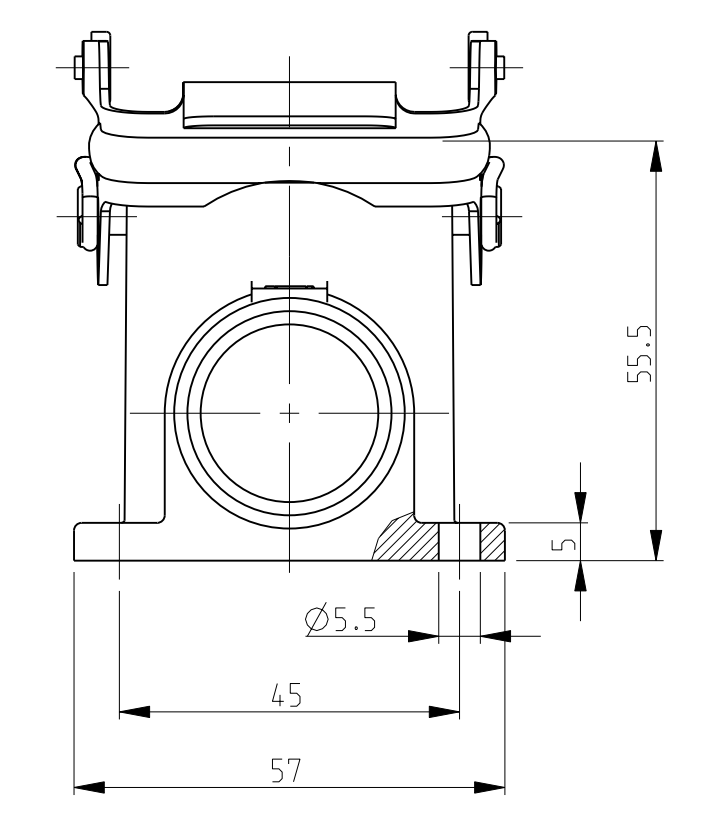
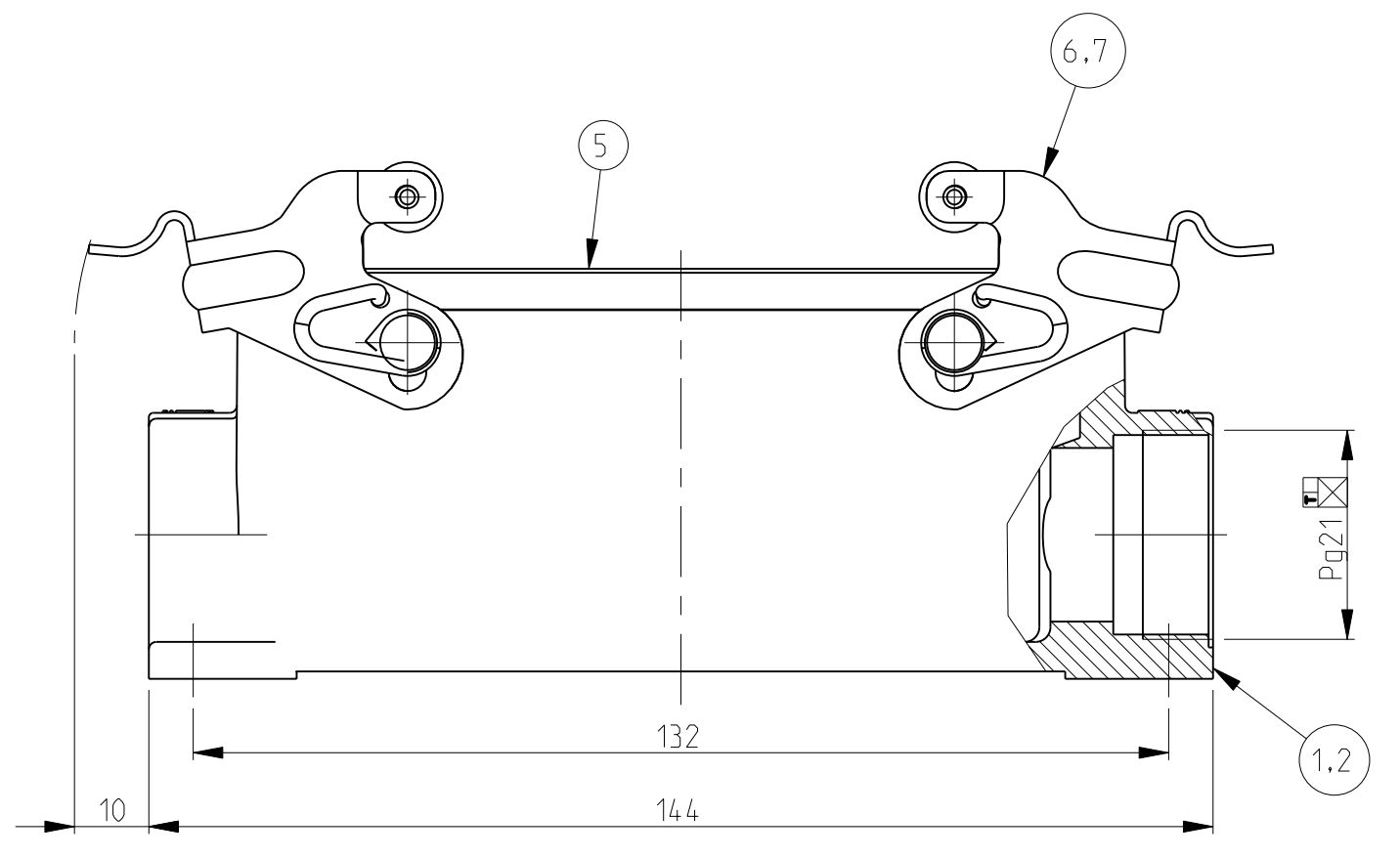
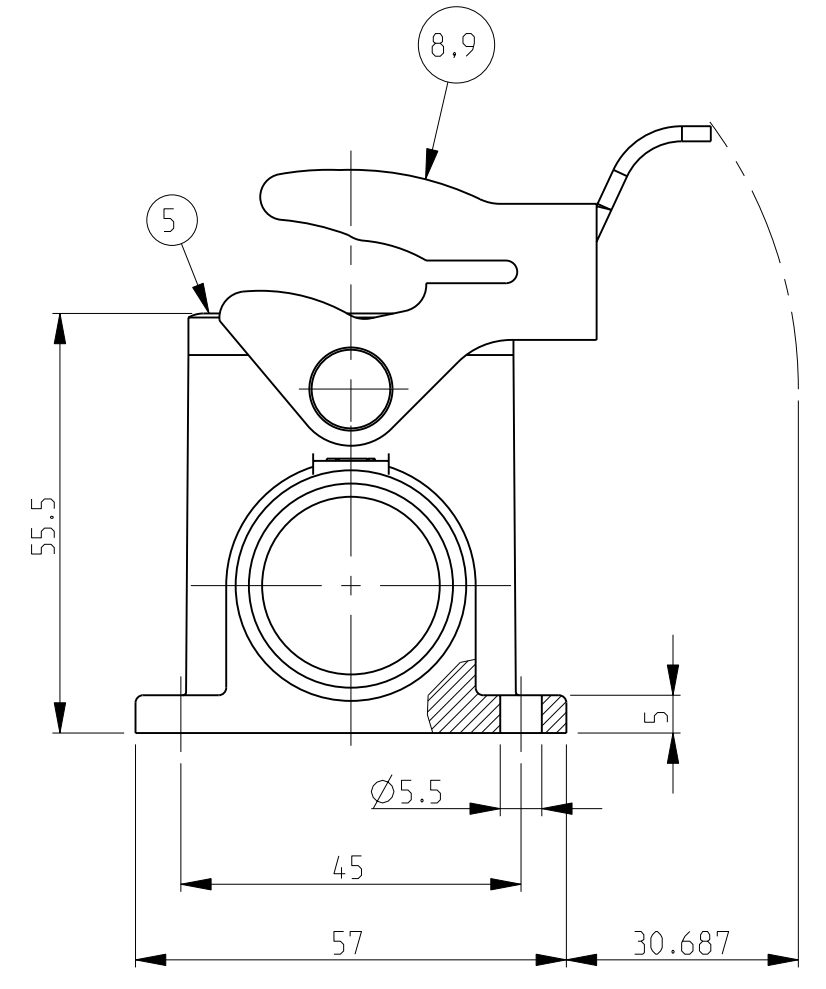
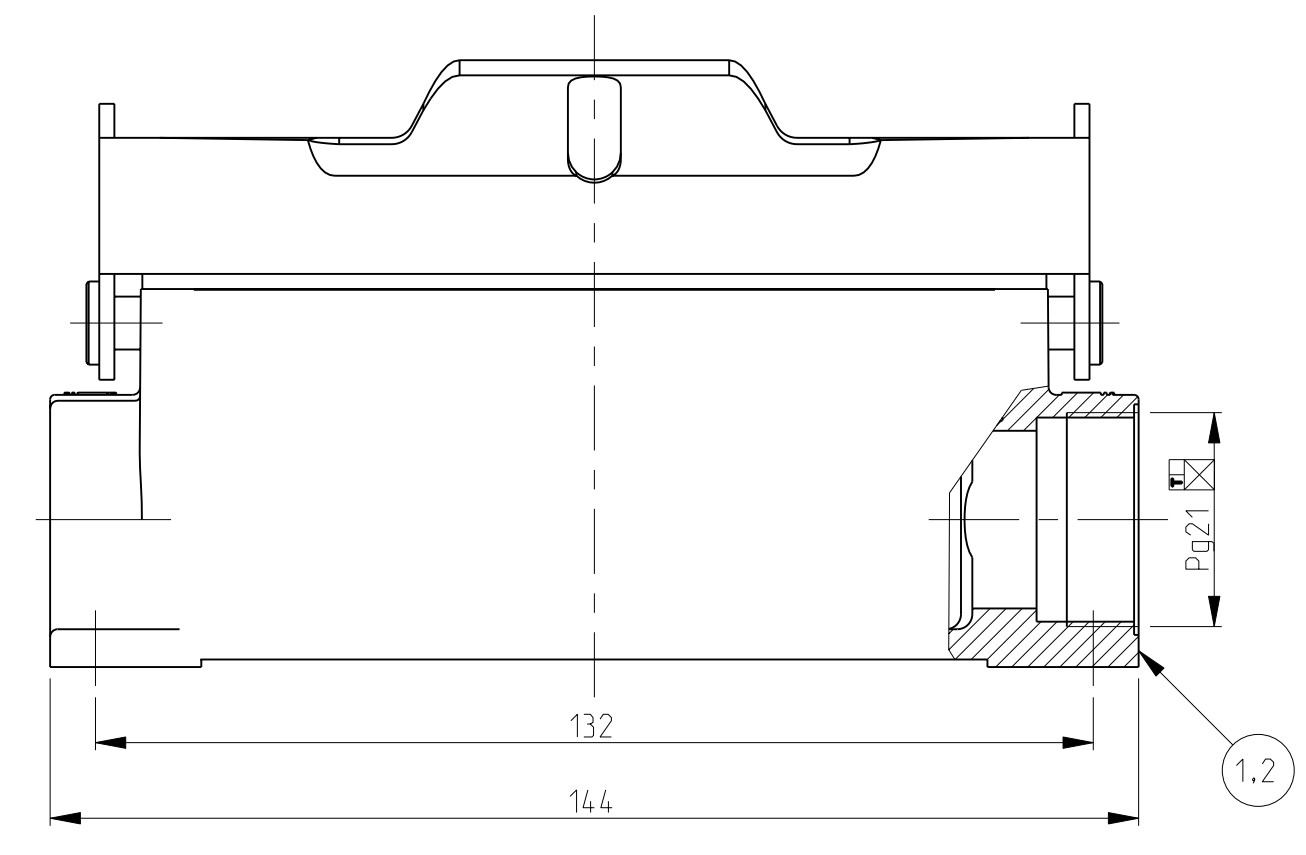


LOC		DIST		REVISIONS			
P	LTR	DESCRIPTION	DATE	DWN	APVD		
A5		Released as per ECR-08-018916	29.July.2008	SP	TS		

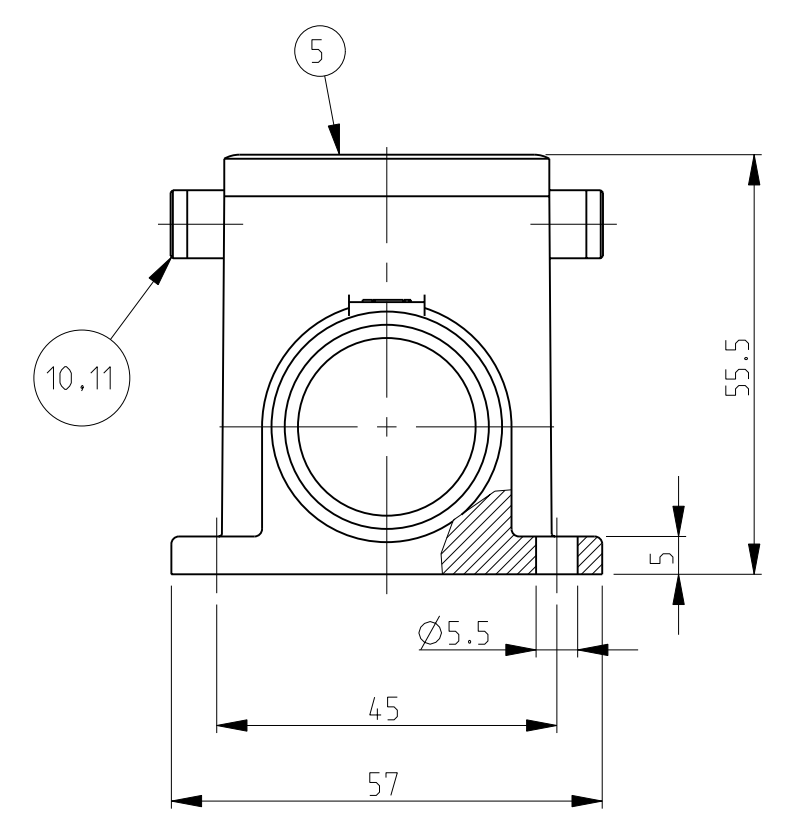
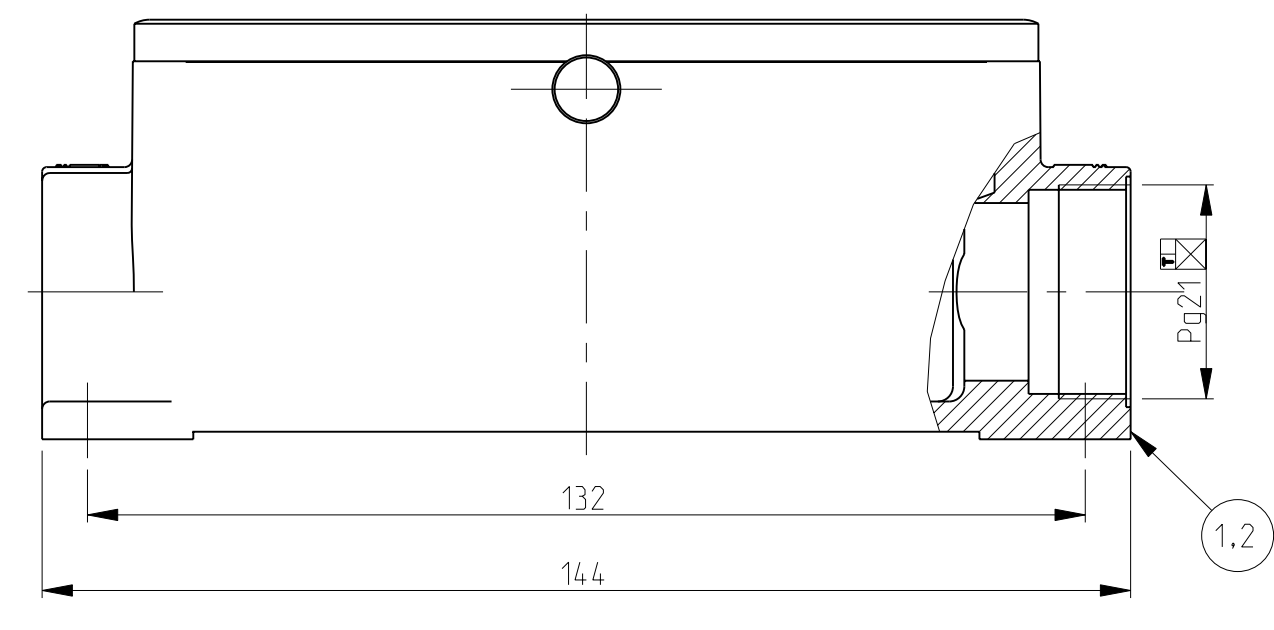
PN 1-1 & 2-1



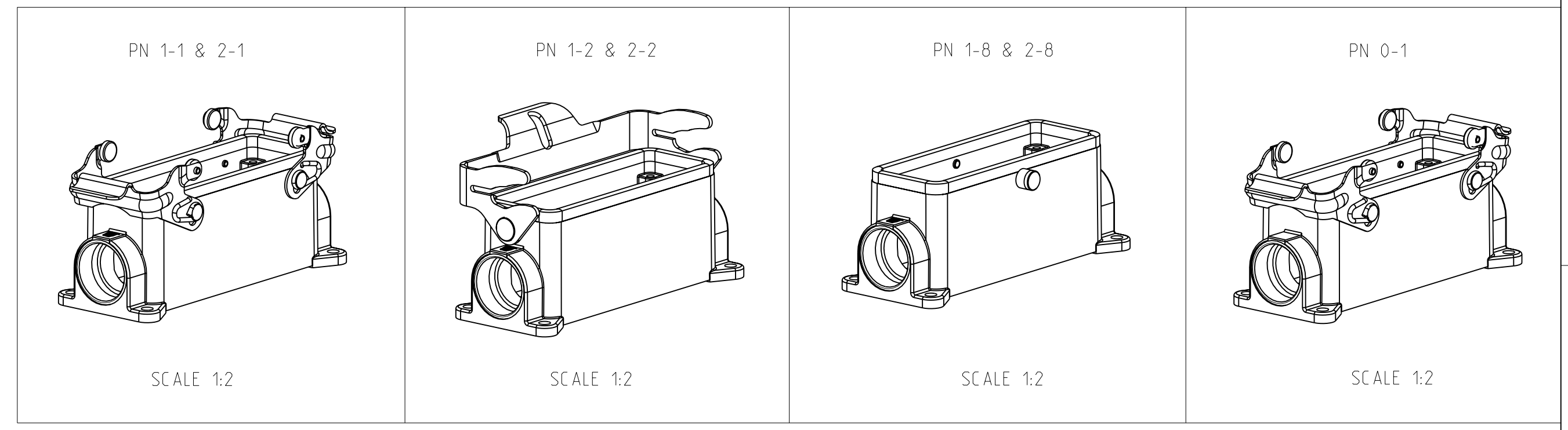
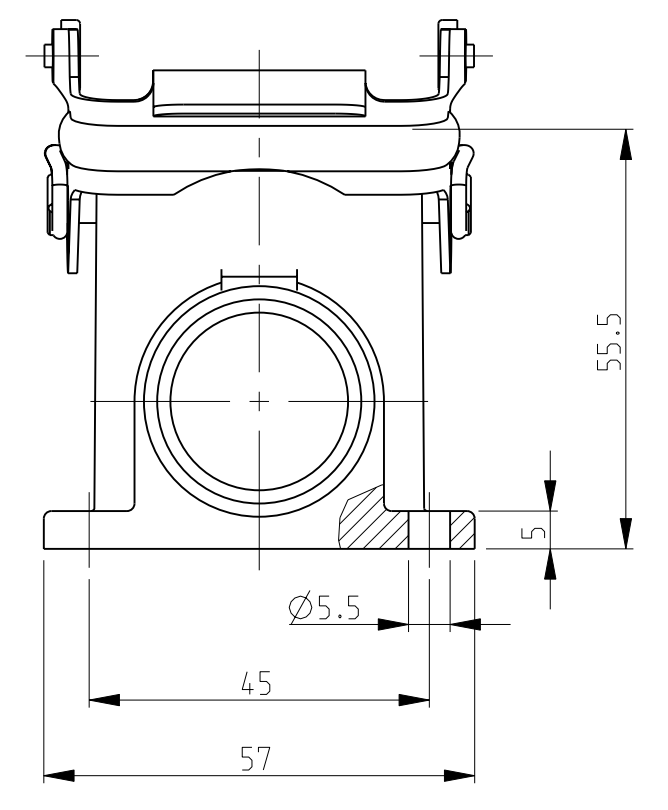
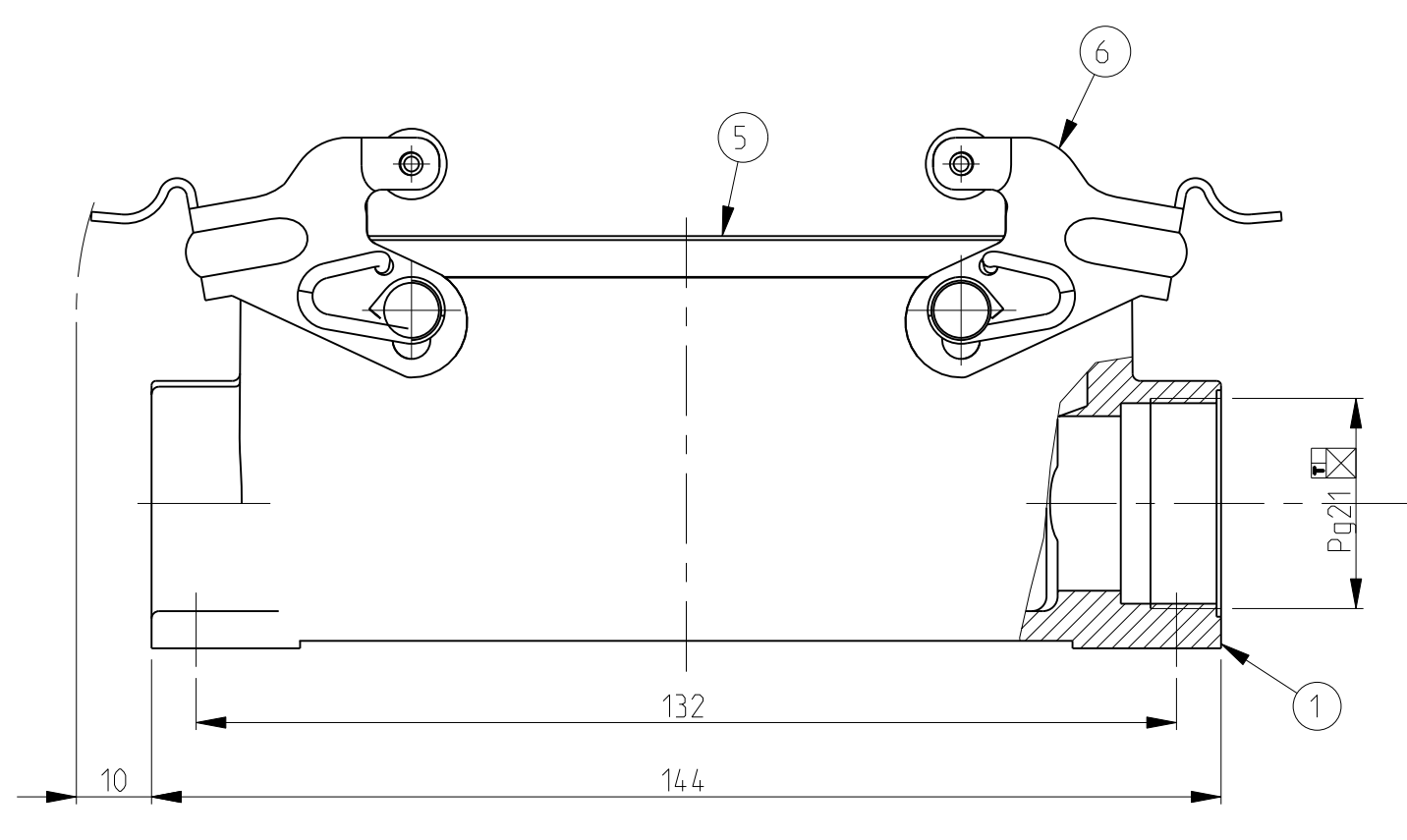
PN 1-2 & 2-2



PN 1-8 & 2-8



PN 0-1



- NOTES.
- Material:Housing:Aluminium Diecasting Alloy
Seals:Neoprene
 - Surface:Varnish grey
-Aluminium Oxide +Varnish Black
 - Varnish on the inside not necessary
 - Packaging
Quantity 5 Pieces in a box

QTY	DESCRIPTION	MATERIAL	SURFACE	COLOR	ITEM NO	REMARKS
2	ZB-Clip bolt	Stainless steel			11	
2	ZB-Clip bolt	Steel	Zinc plated		10	
1	LB-Side clip	Stainless steel			9	
1	LB-Side clip	Steel	Zinc plated		8	
2	VS-Locking clip	Stainless steel			7	
2	VS-Locking clip	Steel	Zinc plated		6	
1	Profile seal	Neoprene		Black	5	
1	Surface mounted housing side entry HB.24.Pg.1.21	Aluminium		No varnish	4	
1	Surface mounted housing side entry HB.24.Pg.1.21	Aluminium		Grey RAL 7001	3	
1	Surface mounted housing side entry HB.24.Pg.1.21	Aluminium	Aluminium oxide	Black RAL 9005	2	
1	Surface mounted housing side entry HB.24.Pg.1.21	Aluminium		Grey RAL 7001	1	

QTY	DESCRIPTION	MATERIAL	SURFACE	COLOR	ITEM NO	REMARKS								
3-1	3-0	0-1	2-8	1-8	2-2	1-2	2-1	1-1	DESCRIPTION	MATERIAL	SURFACE	COLOR	ITEM NO	REMARKS
ORDERING TEXT														
HB.24.SG-VS.1.21.Z														
HB-K.24.SG-VS.1.21.Z														
HB.24.SG-LB.1.21.Z														
HB-K.24.SG-LB.1.21.Z														
HB-Z.24.SG-ZVGR.1.21.Z														
HB-K/Z.24.SG-ZVGR.1.21.Z														
HB.24.SG-VS.1.21.Z														

DIMENSIONS:		TOLERANCES UNLESS OTHERWISE SPECIFIED:		DWN 20.04.1998		Tyco Electronics		Tyco Electronics,AMP.GmbH	
mm		0.100		Schweiger		0-53819,Neunkirchen,Germany			
MATERIAL		FINISH		PRODUCT SPEC		NAME		RESTRICTED TO	
				108-74001.74003		Surface mounted housing side entry HB24.1.21.Z			
				APPLICATION SPEC		SIZE CAGE CODE DRAWING NO		SHEET 1 OF 1	
				114-74001.74004		A 00779 C=1102331		REV A5	
				WEIGHT		CUSTOMER DRAW ING		SCALE 1:1	

X-ON Electronics

Largest Supplier of Electrical and Electronic Components

Click to view similar products for [Heavy Duty Power Connectors](#) category:

Click to view products by [TE Connectivity](#) manufacturer:

Other Similar products are found below :

[1424439](#) [1424438](#) [09330062652](#) [2-8675P1](#) [605601-1](#) [6340G1](#) [6341G1](#) [6360G1](#) [6373G1](#) [6374g2](#) [6396G1](#) [647757-1](#) [66394-4](#) [6643411-1](#)
[6646058-2](#) [6646137-1](#) [6646138-1](#) [6646348-1](#) [6646479-1](#) [6646608-1](#) [6646786-1](#) [6646940-1](#) [6651091-1](#) [6651525-1](#) [6651529-1](#) [6651778-1](#)
[6651788-1](#) [696465-1](#) [696475-1](#) [73000005059](#) [73000005349](#) [73000005642](#) [73080255059](#) [73080965046](#) [765-15-0080A](#) [765-16-0080B](#)
[789.700-44](#) [789.700-54](#) [80-1010](#) [80-9](#) [827381-1](#) [829992-1](#) [902-77-02113](#) [PL00U-301-10D10](#) [PM103MOOLOO](#) [PM16S1620S32-50](#)
[PM212MOOLOO](#) [PM309FOOLOO](#) [PM324FOOLCH](#) [PMHPAF11S03](#)