

THIS DRAWING IS UNPUBLISHED.

RELEASED FOR PUBLICATION

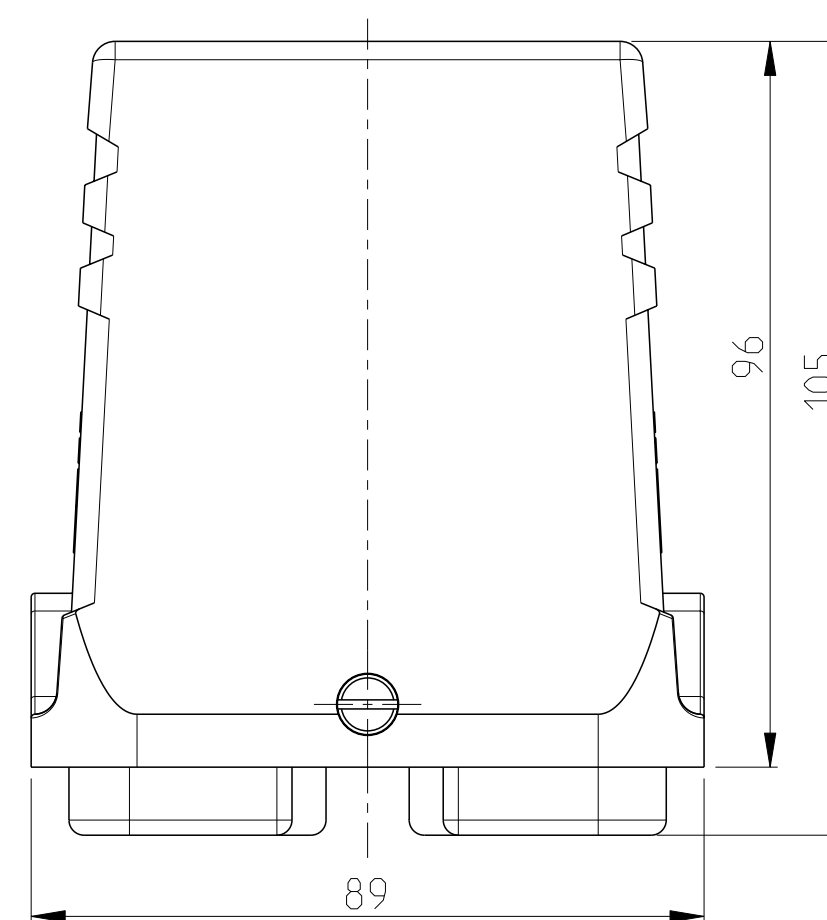
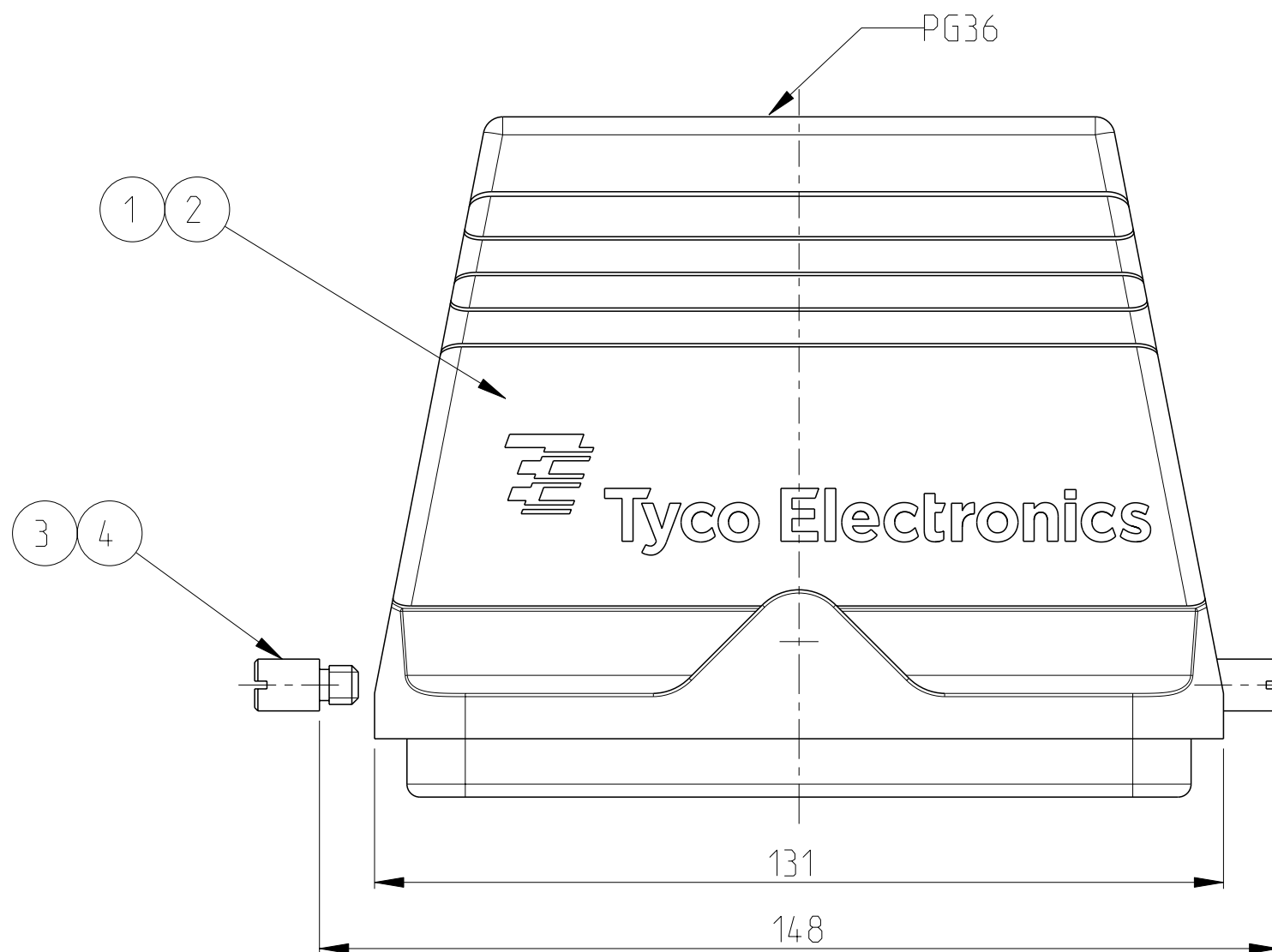
2006

© COPYRIGHT 2006 BY -

ALL RIGHTS RESERVED.

REVISIONS

| P | LTR | DESCRIPTION | DATE | DWN | APVD |
|----|-----|---------------------------------|-----------|-----|------|
| A3 | | NEW PRO/E DRAWING ECR-07-019748 | 20AUG2007 | SR | ST |
| A4 | | REVISED PER ECR-17-013084 | 10JAN2018 | SRG | MKO |
| | | | | | |
| | | | | | |



OBSOLETE

| | | | | | | |
|-----|-----|-------------|-----------------|----------------|-------|------|
| 2 | | CLIP BOLT | STAINLESS STEEL | BLANC | | 4 |
| | 2 | CLIP BOLT | STEEL | ZINC PLATED | BLUE | 3 |
| | 1 | HOOD HB | ALUMINIUM/ALU | ALUMINIUM OXID | BLACK | 2 |
| | 1 | HOOD HB | ALUMINIUM/ALU | | GREY | 1 |
| 2-7 | 1-7 | DESCRIPTION | MATERIAL | SURFACE | COLOR | ITEM |

HB.48.STO-GR.1.36.G
 HB-K.48.STO-GR.1.36.G

NOTES

- 1 PART SHALL BE FREE AND CLEAN OF BURRS AND OTHER FOREIGN MATERIAL
- 2 PACKAGING: QUANTITY 3 PIECES
- 3 VARNISHING INSIDE HOUSING NOT REQUIRED

| | | | | | | | | | | | | | | |
|---|-------------------------|---------------------------------|--------------|--------------------|-------------------------|--------------------|-------|---|-------|---|-------|---|-------|---|
| THIS DRAWING IS A CONTROLLED DOCUMENT. | | DWN R.SCHNEIDER 17AUG2007 | | | | | | | | | | | | |
| DIMENSIONS: mm | | CHK SCHNURPFEL 17AUG2007 | | | | | | | | | | | | |
| TOLERANCES UNLESS OTHERWISE SPECIFIED: | | APVD | | | | | | | | | | | | |
| <table border="0"> <tr><td>0 PLC</td><td>±</td></tr> <tr><td>1 PLC</td><td>±</td></tr> <tr><td>2 PLC</td><td>±</td></tr> <tr><td>3 PLC</td><td>±</td></tr> <tr><td>4 PLC</td><td>±</td></tr> <tr><td>ANGLES</td><td>±°</td></tr> </table> | | 0 PLC | | | | ± | 1 PLC | ± | 2 PLC | ± | 3 PLC | ± | 4 PLC | ± |
| 0 PLC | ± | | | | | | | | | | | | | |
| 1 PLC | ± | | | | | | | | | | | | | |
| 2 PLC | ± | | | | | | | | | | | | | |
| 3 PLC | ± | | | | | | | | | | | | | |
| 4 PLC | ± | | | | | | | | | | | | | |
| ANGLES | ±° | | | | | | | | | | | | | |
| MATERIAL material_2 | FINISH finish_spec_2 | PRODUCT SPEC - | SIZE A3 | CAGE CODE 00779 | DRAWING NO C=1102385 | RESTRICTED TO - | | | | | | | | |
| CUSTOMER DRAWING | | | SCALE 1:1 | SHEET 1 OF 1 | REV A4 | | | | | | | | | |

X-ON Electronics

Largest Supplier of Electrical and Electronic Components

Click to view similar products for [Heavy Duty Power Connectors](#) category:

Click to view products by [TE Connectivity](#) manufacturer:

Other Similar products are found below :

[1424439](#) [1424438](#) [09330062652](#) [2-8675P1](#) [605601-1](#) [6340G1](#) [6341G1](#) [6360G1](#) [6373G1](#) [6374g2](#) [6396G1](#) [647757-1](#) [66394-4](#) [6643411-1](#)
[6646058-2](#) [6646137-1](#) [6646138-1](#) [6646348-1](#) [6646479-1](#) [6646608-1](#) [6646786-1](#) [6646940-1](#) [6651091-1](#) [6651525-1](#) [6651529-1](#) [6651778-1](#)
[6651788-1](#) [696465-1](#) [696475-1](#) [73000005059](#) [73000005349](#) [73000005642](#) [73080255059](#) [73080965046](#) [765-15-0080A](#) [765-16-0080B](#)
[789.700-44](#) [789.700-54](#) [80-1010](#) [80-9](#) [827381-1](#) [829992-1](#) [902-77-02113](#) [PL00U-301-10D10](#) [PM103MOOLOO](#) [PM16S1620S32-50](#)
[PM212MOOLOO](#) [PM309FOOLOO](#) [PM324FOOLCH](#) [PMHPAF11S03](#)