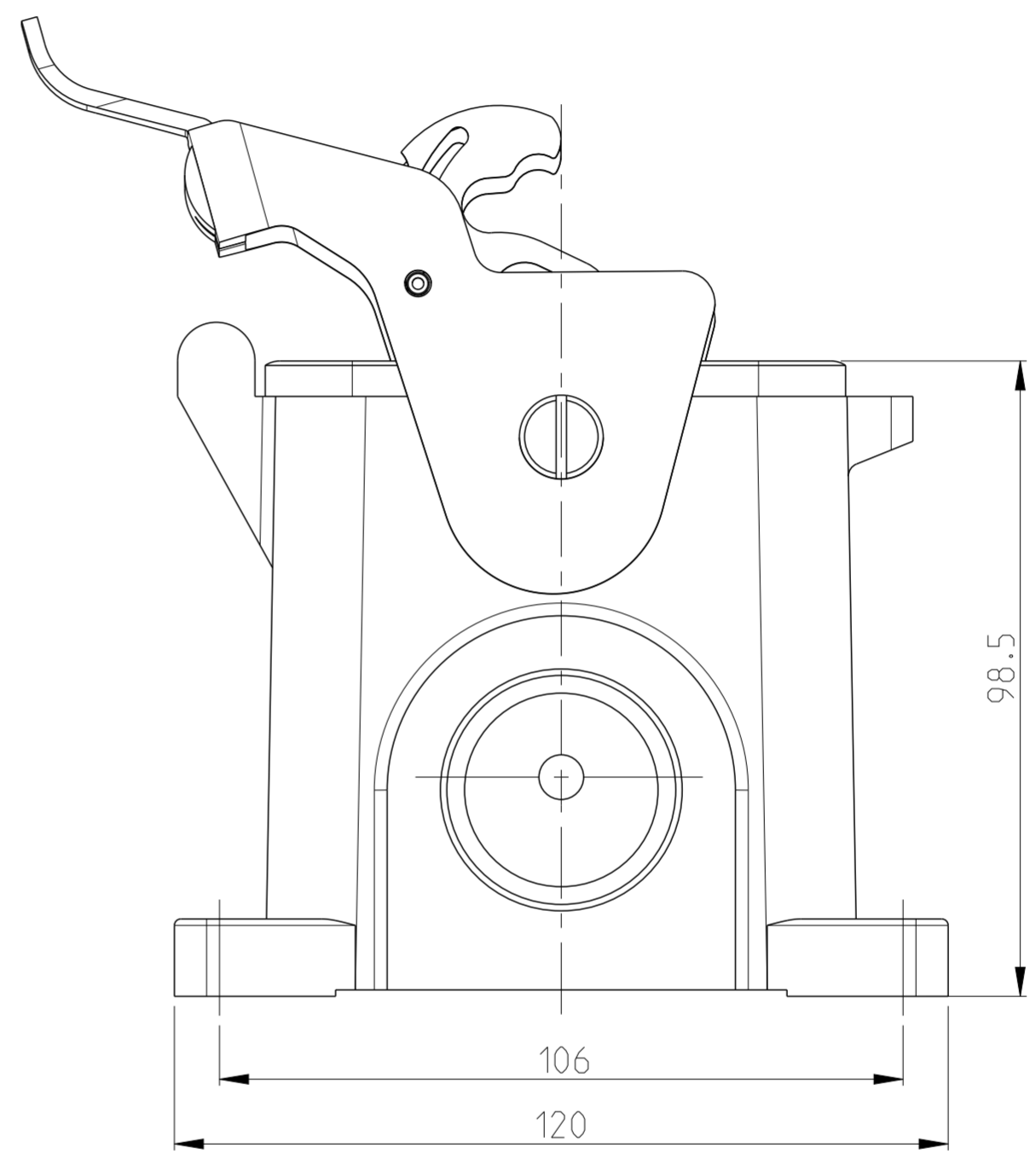
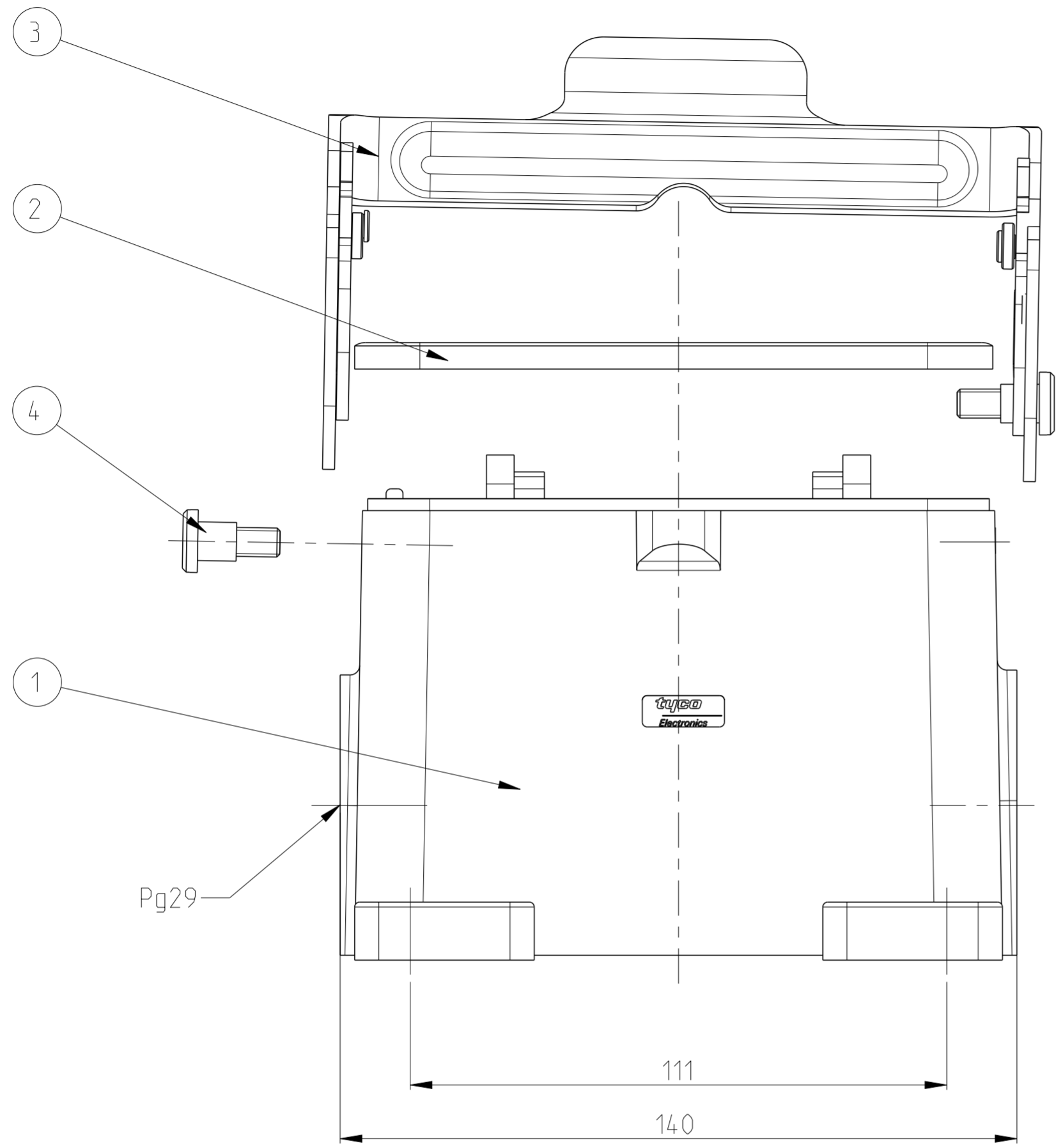


THIS DRAWING IS UNPUBLISHED. RELEASED FOR PUBLICATION 2006
 © COPYRIGHT 2006 ALL RIGHTS RESERVED.

LOC		DIST		REVISIONS			
P	LTR	DESCRIPTION	DATE	DWN	APVD		
A3		new pro/E drawing ECR-08-022186	09JAN2009	SR	AR		
A4		ECR-15-000844	29JAN2015	GSK	MKO		



NOTES

- 1 PART SHALL BE FREE AND CLEAN OF BURRS AND OTHER FOREIGN MATERIAL
- 2 PACKAGING: QUANTITY 2 PIECES
- 3 VARNISHING INSIDE HOUSING NOT REQUIRED

1-2	DESCRIPTION	MATERIAL	SURFACE	COLOR	ITEM	NOTES
2	SCREW SLOTTED PAN HEAD	STAINLESS STEEL	BLANC		4	M6X8
1	SIDE CLIP	STEEL	ZINC PLATED	BLUE	3	
1	PROFIL SEAL	NEOPRENE		BLACK	2	
1	SURFACE MOUNTED HOUSING SIDE ENTRY	ALU		GREY	1	

THIS DRAWING IS A CONTROLLED DOCUMENT.

DWN R. SCHNEIDER 09 JAN 2009	TE Connectivity	NAME SURFACE MOUNTED HOUSING SIDE ENTRY HB.48.SG-LB.1.29.Z	
CHK T. SCHNURPFEL 09 JAN 2009		RESTRICTED TO	
DIMENSIONS: mm	TOLERANCES UNLESS OTHERWISE SPECIFIED:	SIZE A2	CAGE CODE 00779
0 PLC ±-	1 PLC ±-	DRAWING NO 1102391	SCALE 1:1
2 PLC ±-	3 PLC ±-	WEIGHT	SHEET 1 OF 1
4 PLC ±-	ANGLES ±1°	CUSTOMER DRAWING	REV A4
MATERIAL	FINISH		

X-ON Electronics

Largest Supplier of Electrical and Electronic Components

Click to view similar products for [Heavy Duty Power Connectors](#) category:

Click to view products by [TE Connectivity](#) manufacturer:

Other Similar products are found below :

[1424439](#) [1424438](#) [09330062652](#) [2-8675P1](#) [605601-1](#) [6340G1](#) [6341G1](#) [6360G1](#) [6373G1](#) [6374g2](#) [6396G1](#) [647757-1](#) [66394-4](#) [6643411-1](#)
[6646058-2](#) [6646137-1](#) [6646138-1](#) [6646348-1](#) [6646479-1](#) [6646608-1](#) [6646786-1](#) [6646940-1](#) [6651091-1](#) [6651525-1](#) [6651529-1](#) [6651778-1](#)
[6651788-1](#) [696465-1](#) [696475-1](#) [73000005059](#) [73000005349](#) [73000005642](#) [73080255059](#) [73080965046](#) [765-15-0080A](#) [765-16-0080B](#)
[789.700-44](#) [789.700-54](#) [80-1010](#) [80-9](#) [827381-1](#) [829992-1](#) [902-77-02113](#) [PL00U-301-10D10](#) [PM103MOOLOO](#) [PM16S1620S32-50](#)
[PM212MOOLOO](#) [PM309FOOLOO](#) [PM324FOOLCH](#) [PMHPAF11S03](#)