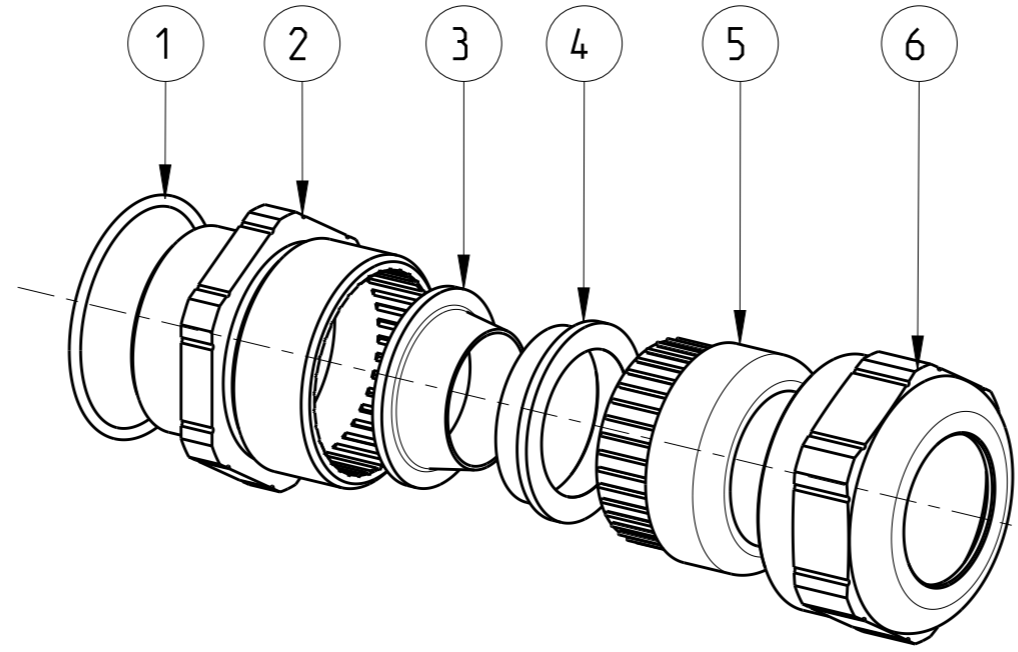
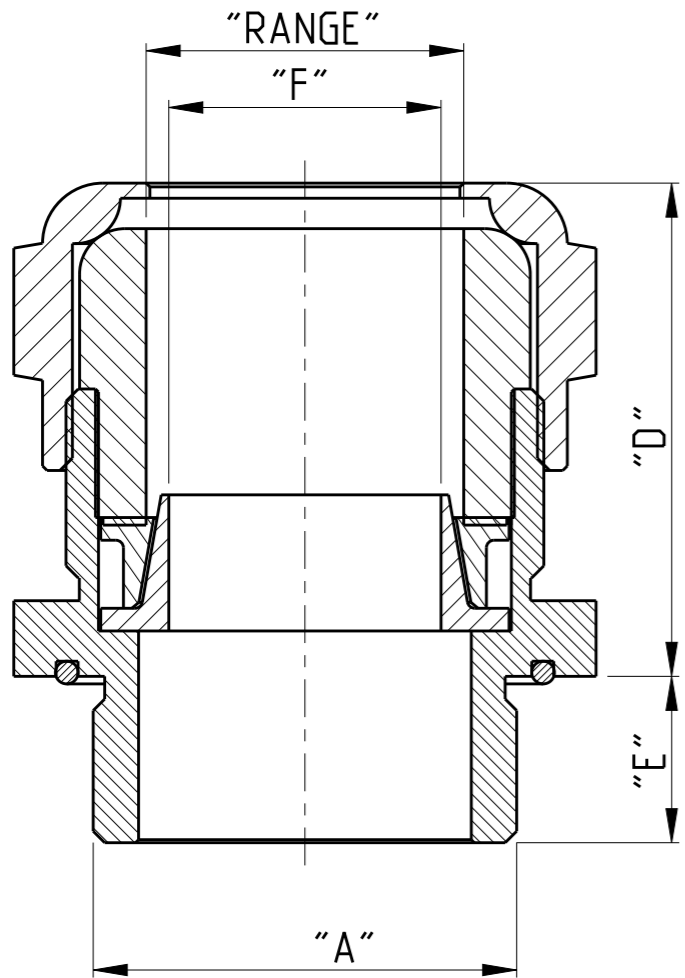


THIS DRAWING IS UNPUBLISHED. RELEASED FOR PUBLICATION 2006
© COPYRIGHT 2006 BY - ALL RIGHTS RESERVED.

REVISIONS

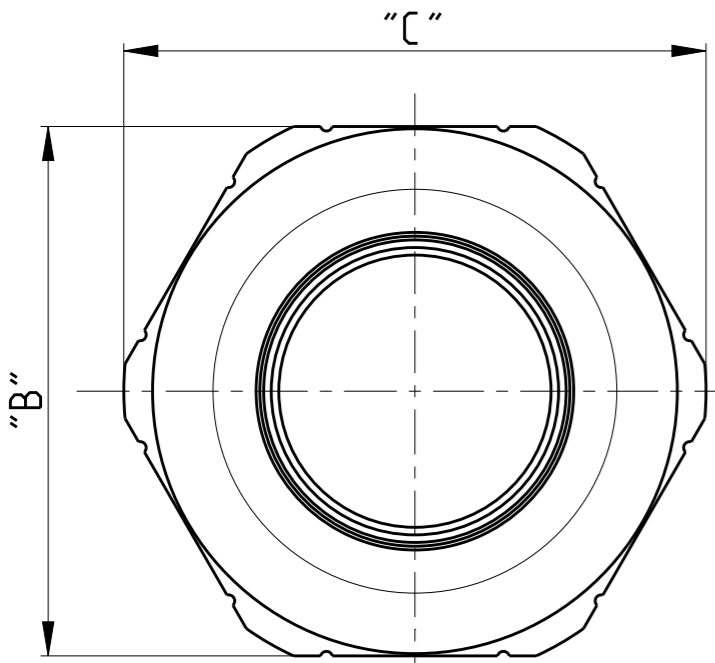
P	LTR	DESCRIPTION	DATE	DWN	APVD
	A2	REVISED PER ECR-16-016780	28AUG2017	NG	MKO



Notes
 1 PACKAGING: 10 PIECES IN A CARTON
 2 PACKAGING: 5 PIECES IN A CARTON

QTY.	DESCRIPTION	MATERIAL	SURFACE / COLOR	ITEM
1	SEALING INSERT	TPE-V		6
1	PRESSURE NUT	BRASS	NICKEL PLATED	5
1	OUTER CONE	BRASS	NICKEL PLATED	4
1	INNER CONE	BRASS	NICKEL PLATED	3
1	DOUBLE NIPPLE	BRASS	NICKEL PLATED	2
1	O-RING	NBR	BLACK	1

PARTS LIST



△ OBSOLETE	2-5	PG 29	40	43.5	39	13	24	26.0-22.0	0.153
△	2-3	PG 29	40	43.5	39	13	20	23.0-19.0	0.151
△	2-2	PG 21	35	38.5	34	12	18	20.0-17.0	0.132
△	1-9	PG 21	30	33.5	32	12	13	16.5-14.0	0.132
△	1-8	PG 21	30	35.5	32	12	10.5	14.0-10.0	0.132
△	1-6	PG 16	30	33.5	32	11	13	16.5-14.0	0.096
△ OBSOLETE	1-4	PG 16	30	33.5	32	11	8	11.5-10.0	0.095
△	1-1	PG 16	30	33.5	32	11	7	10.5-8.0	0.095
△ OBSOLETE	0-7	PG 13.5	24	26.7	31	10	3.3	6.5-4.0	0.081
△	0-6	PG 11	24	26.7	31	10	7	11.0-8.0	0.072
△	0-4	PG 11	24	26.7	31	10	6	6.5-4.0	0.073
PART NO.	"A"	"B"	"C"	"D"	"E"	"F"	"RANGE"	WEIGHT [kg]	

DIMENSIONS

THIS DRAWING IS A CONTROLLED DOCUMENT.

DWN H.J.BAUM 21JUL2009
 CHK T.SCHNURPFEL 21JUL2009
 APVD -

PRODUCT SPEC -
 APPLICATION SPEC -
 WEIGHT -

STE TE Connectivity

NAME CABLE GLAND ASS'Y
 SERIES EMV-DICHT. PG

SIZE A3 CAGE CODE 00779 DRAWING NO C-1106007 RESTRICTED TO -

CUSTOMER DRAWING SCALE 5:1 SHEET 1 OF 1 REV A2

DIMENSIONS:	TOLERANCES UNLESS OTHERWISE SPECIFIED:
mm	
0 PLC	±
1 PLC	±
2 PLC	±
3 PLC	±
4 PLC	±
ANGLES	±1°
MATERIAL	FINISH
material_2	finish_spec_2

X-ON Electronics

Largest Supplier of Electrical and Electronic Components

Click to view similar products for [Heavy Duty Power Connectors](#) category:

Click to view products by [TE Connectivity](#) manufacturer:

Other Similar products are found below :

[1424439](#) [1424438](#) [09330062652](#) [2-8675P1](#) [605601-1](#) [6340G1](#) [6341G1](#) [6360G1](#) [6373G1](#) [6374g2](#) [6396G1](#) [647757-1](#) [66394-4](#) [6643411-1](#)
[6646058-2](#) [6646137-1](#) [6646138-1](#) [6646348-1](#) [6646479-1](#) [6646608-1](#) [6646786-1](#) [6646940-1](#) [6651091-1](#) [6651525-1](#) [6651529-1](#) [6651778-1](#)
[6651788-1](#) [696465-1](#) [696475-1](#) [73000005059](#) [73000005349](#) [73000005642](#) [73080255059](#) [73080965046](#) [765-15-0080A](#) [765-16-0080B](#)
[789.700-44](#) [789.700-54](#) [80-1010](#) [80-9](#) [827381-1](#) [829992-1](#) [902-77-02113](#) [PL00U-301-10D10](#) [PM103MOOLOO](#) [PM16S1620S32-50](#)
[PM212MOOLOO](#) [PM309FOOLOO](#) [PM324FOOLCH](#) [PMHPAF11S03](#)