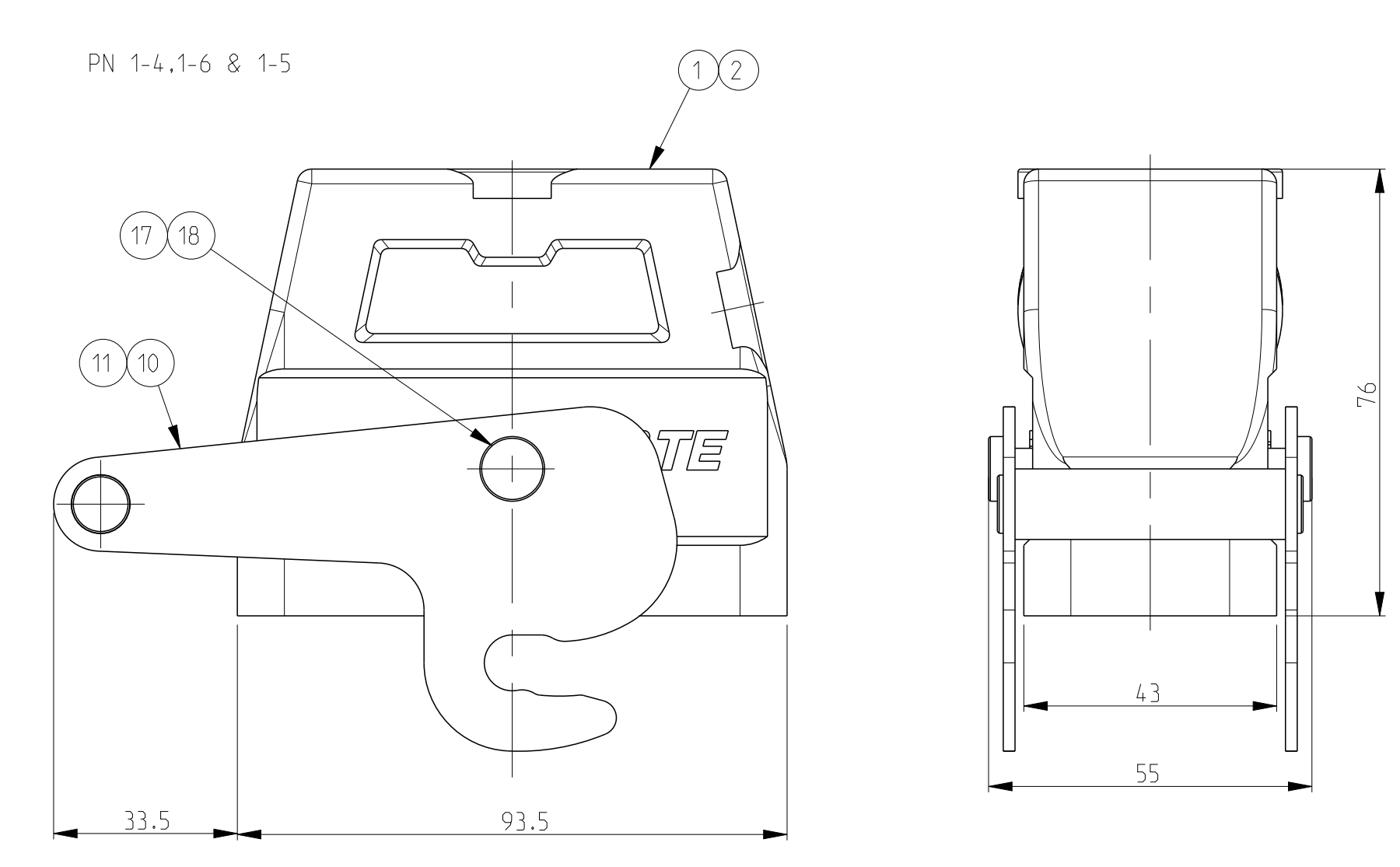
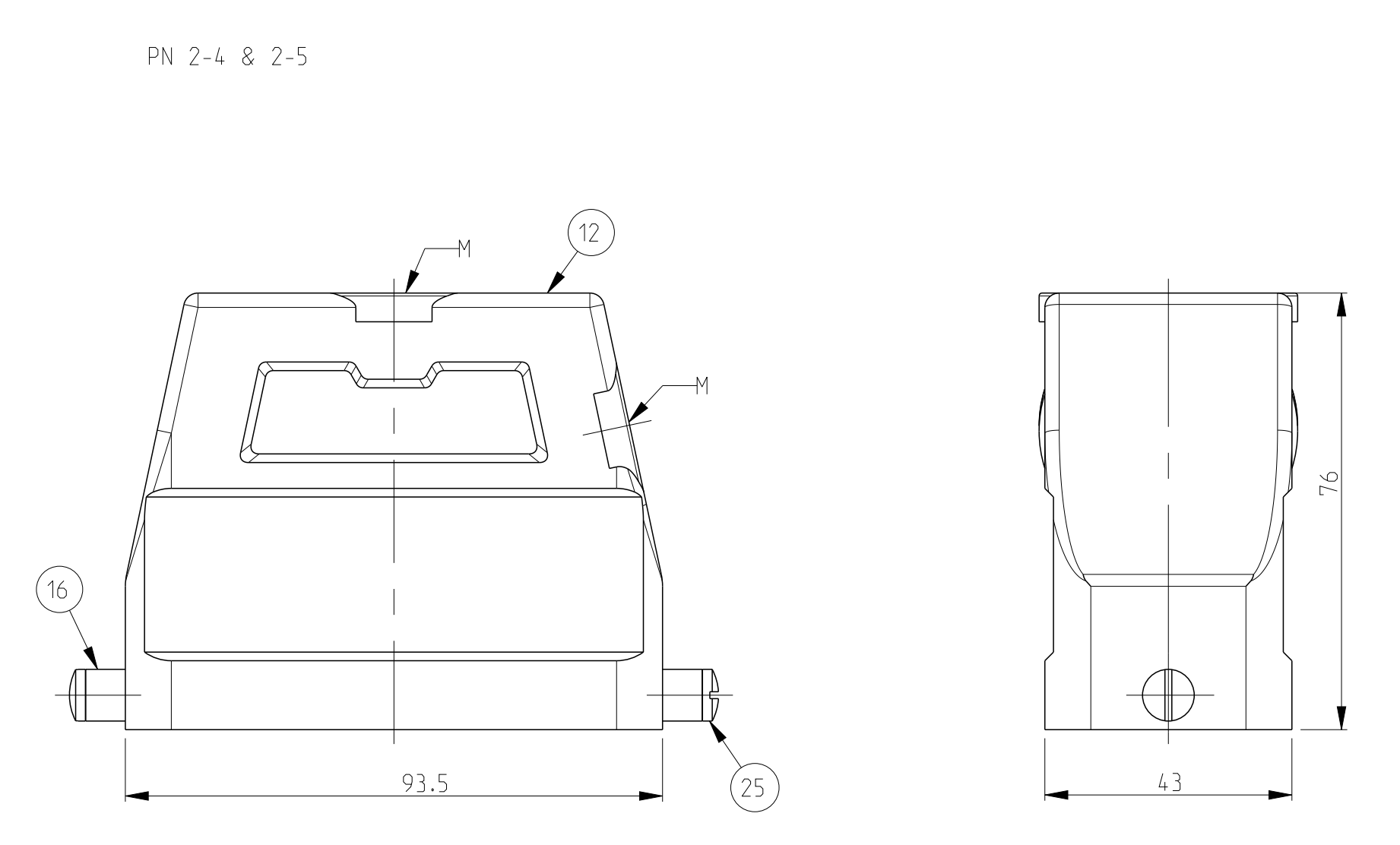
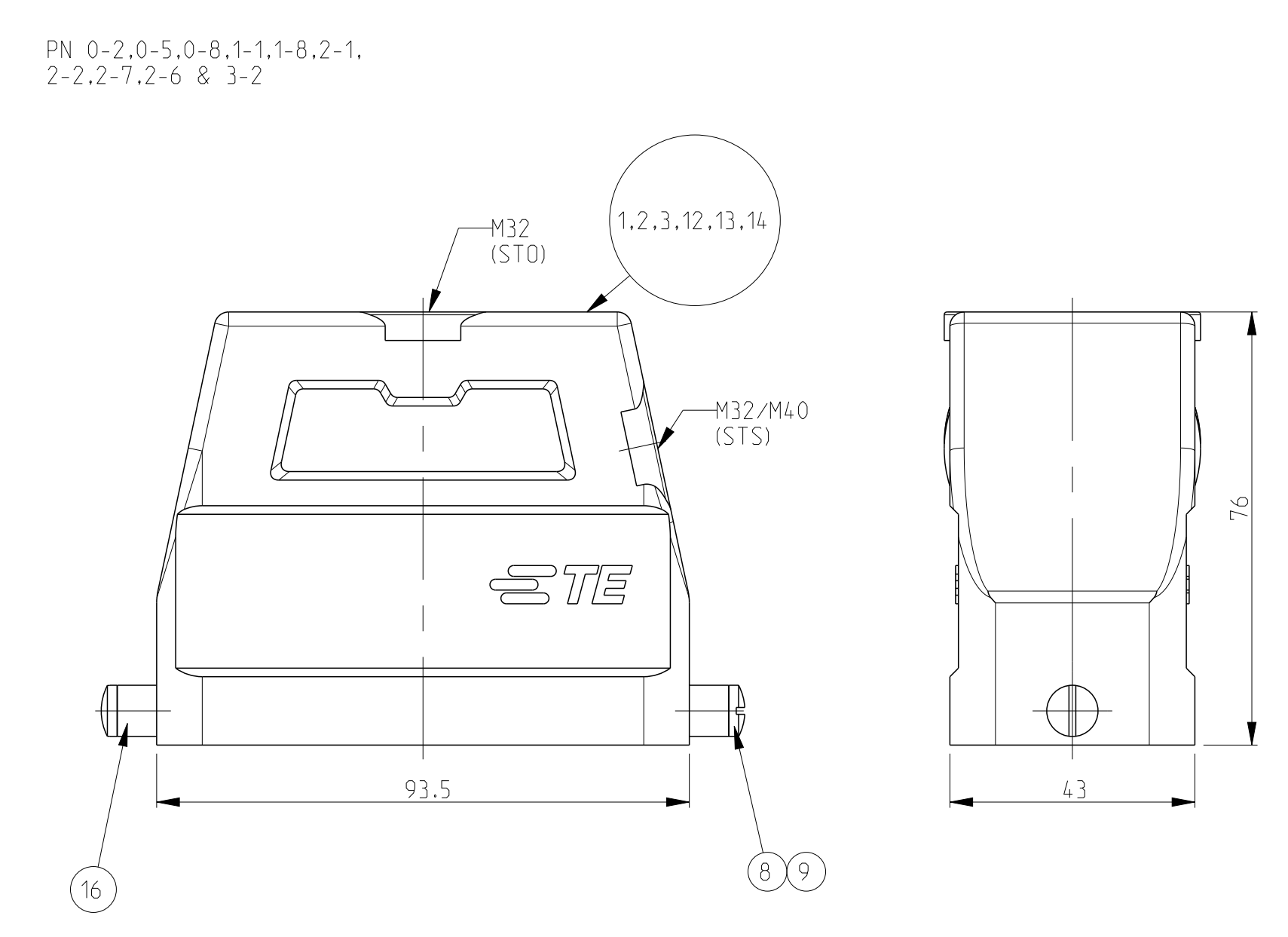
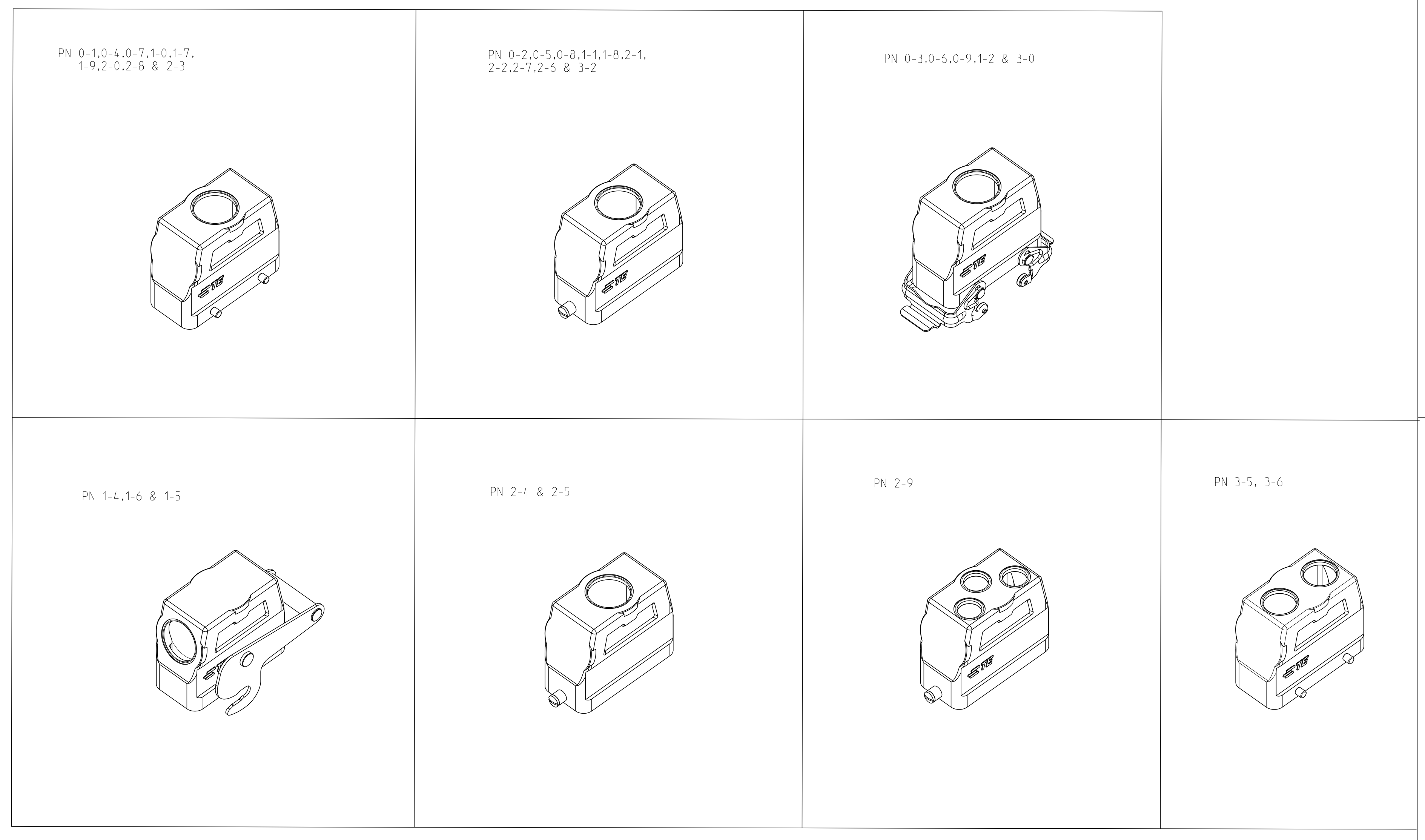
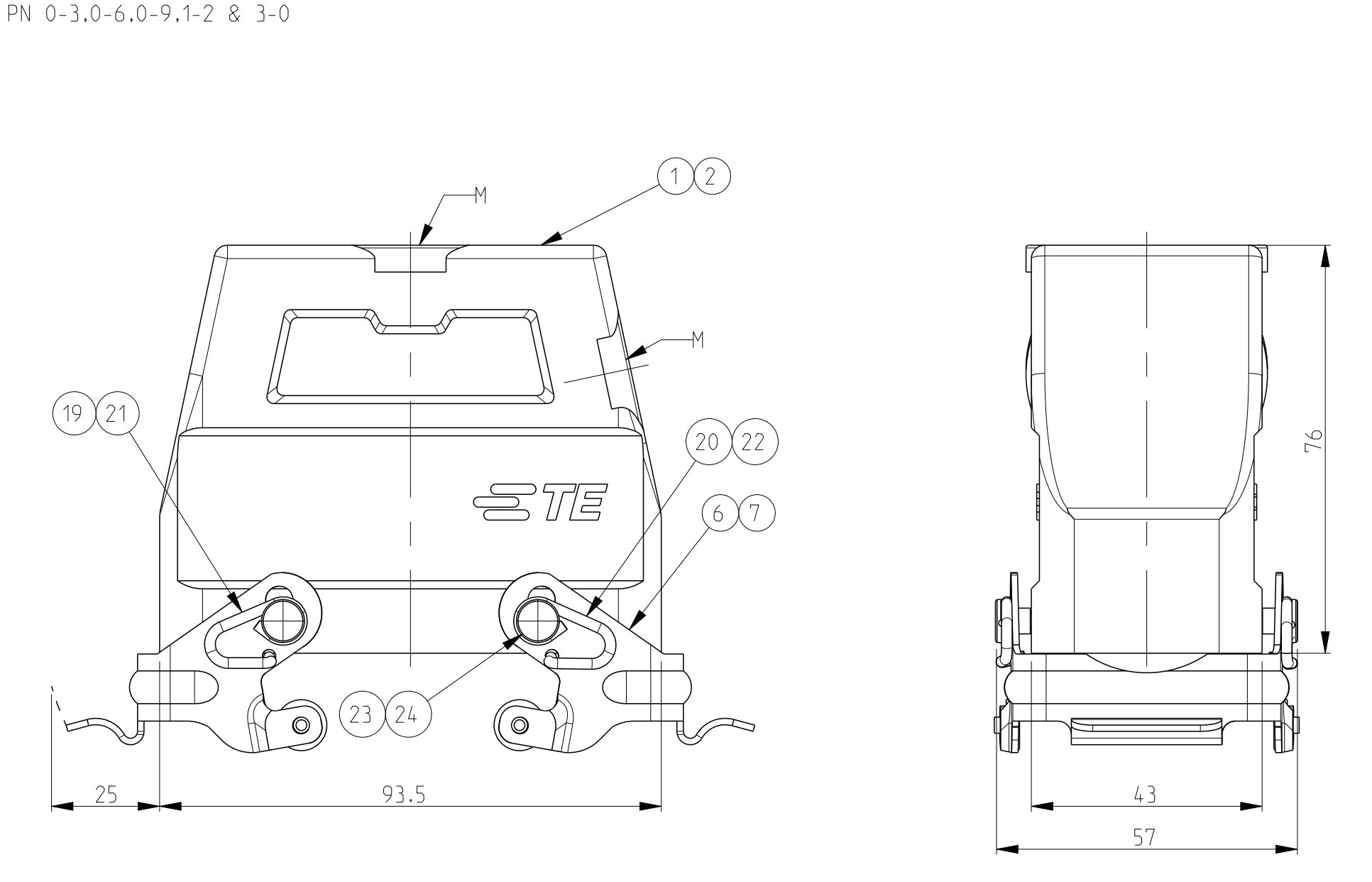
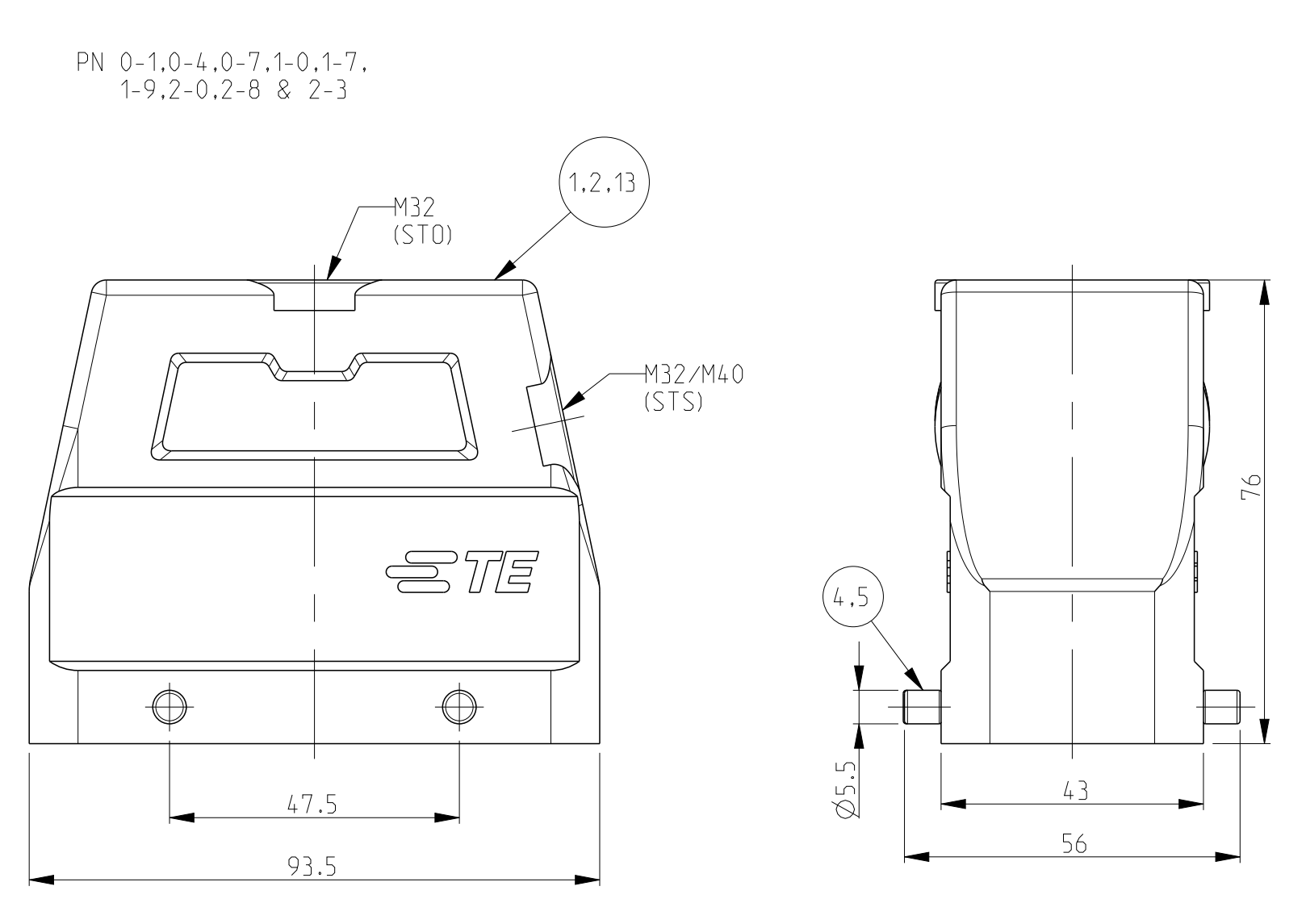
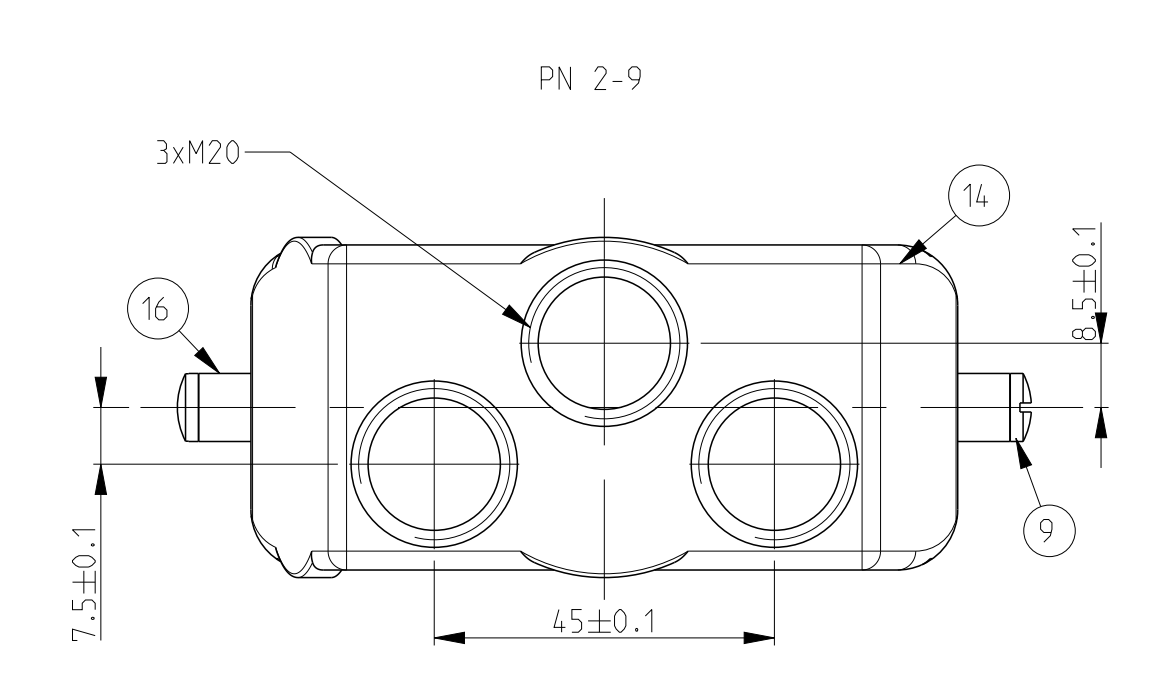
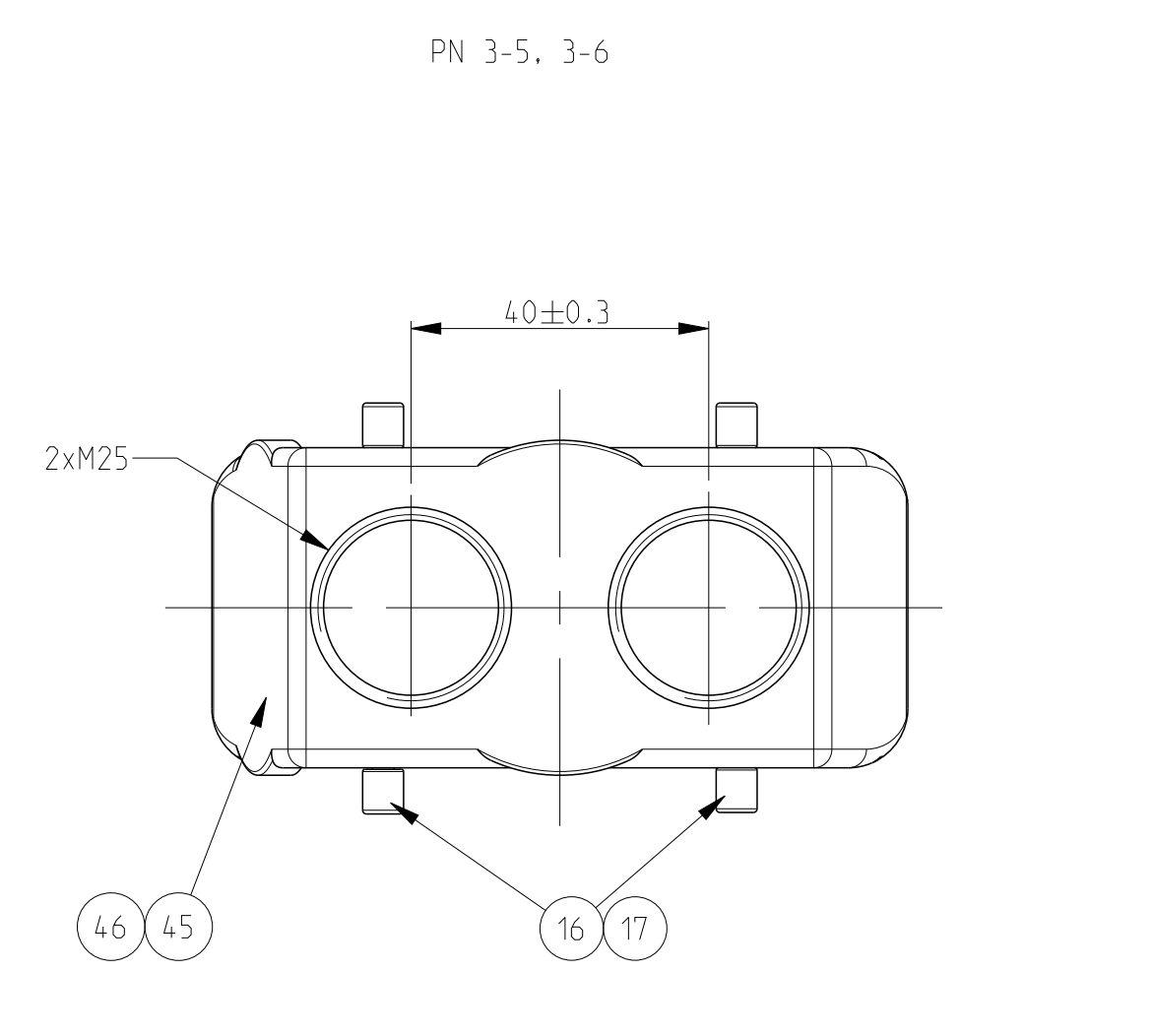
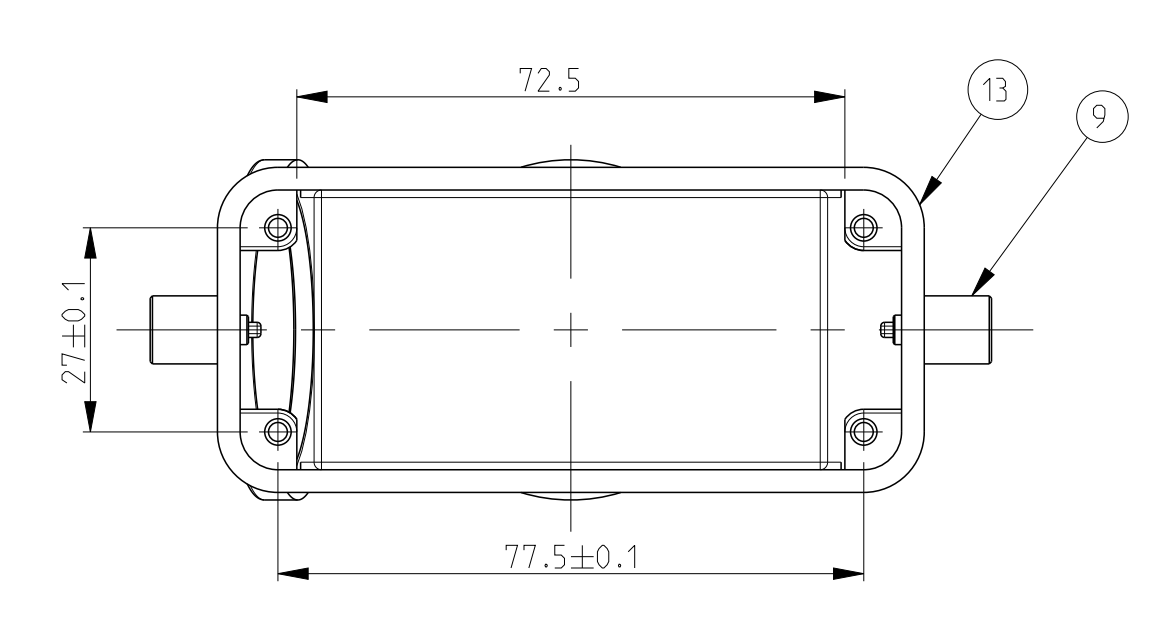


REV	DATE	DESCRIPTION	BY	APPD
A17	ECR-14-012603		10SEP2004	RK MKO
A18	ECR-14-014129		29SEP2004	RK MKO
A19	ECR-15-000619		21AUG2005	GSK MKO
A20	ECR-16-016696		18SEP2007	GR MKO



Valid only for PN 2-7 and 2-8
 Landing at measure 72.5 (20mm Deep) milled off : bothsides



- NOTES
- ▲ MATERIAL-HOUSING ALUMINIUM DIECASTING ALLOY
 - ▲ SURFACE-POWDER VARNISH-GREY - VARNISH BLACK
 - 3 VARNISH ON THE INSIDE NOT NECESSARY
 - ▲ WITH OUT TE LOGO
 - ▲ PACKAGING QUANTITY 5 PIECES IN A BOX

REV	DATE	DESCRIPTION	BY	APPD	MATERIAL	SURFACE	COLOR	ITEM NO	NOTES
1					LD-K HOOD	ALUMINIUM	BLANK	47	M5
1					HD HOOD	ALUMINIUM	BLACK	46	
1					HD HOOD	ALUMINIUM	GREY	45	
1					HD HOOD	ALUMINIUM		44	W ITHOUT LOGO&DRILLING
1					HD HOOD	ALUMINIUM		43	W ITHOUT LOGO&DRILLING
1					HD HOOD	ALUMINIUM	GREY	42	
1					HD HOOD	ALUMINIUM	UNPAINTED	41	SINGLE PART
1					HD HOOD	ALUMINIUM	GREY	40	3xM20
2					LD-K HOOD	STEEL	ZINC PLATED	39	M5
1					HD HOOD	ALUMINIUM	ALUMINIUM OXIDE	38	
1					HD HOOD	ALUMINIUM	ALUMINIUM OXIDE	37	
1					HD HOOD	ALUMINIUM	GREY	36	W ITH OUT TE-LOGO
1					HD HOOD	ALUMINIUM	GREY	35	W ITH OUT TE-LOGO
1					HD HOOD	ALUMINIUM	GREY	34	W ITH OUT TE-LOGO
1					HD HOOD	ALUMINIUM	GREY	33	
1					HD HOOD	ALUMINIUM	GREY	32	
1					ZB-CLIP POSITIONER	STEEL	ZINC PLATED	31	
1					ZB-CLIP POSITIONER	STEEL	BLANK	30	
1					ZB-LOCKING CLIP	STEEL	ZINC PLATED	29	
1					LD-K HOOD	STEEL	ZINC PLATED	28	
1					LD-K HOOD	STEEL	BLANK	27	
1					LD-K HOOD	STEEL	ZINC PLATED	26	
1					LD-K HOOD	STEEL	BLANK	25	
1					LD-K HOOD	STEEL	ZINC PLATED	24	
1					LD-K HOOD	STEEL	BLANK	23	
1					LD-K HOOD	STEEL	ZINC PLATED	22	
1					LD-K HOOD	STEEL	BLANK	21	
1					LD-K HOOD	STEEL	ZINC PLATED	20	
1					LD-K HOOD	STEEL	BLANK	19	
1					LD-K HOOD	STEEL	ZINC PLATED	18	
1					LD-K HOOD	STEEL	BLANK	17	
1					LD-K HOOD	STEEL	ZINC PLATED	16	
1					LD-K HOOD	ALUMINIUM	GREY	15	W ITH OUT TE-LOGO
1					LD-K HOOD	ALUMINIUM	GREY	14	W ITH OUT TE-LOGO
1					LD-K HOOD	ALUMINIUM	GREY	13	W ITH OUT TE-LOGO
1					LD-K HOOD	ALUMINIUM	GREY	12	W ITH OUT TE-LOGO
1					LD-K HOOD	ALUMINIUM	GREY	11	
1					LD-K HOOD	ALUMINIUM	GREY	10	
1					LD-K HOOD	ALUMINIUM	ALUMINIUM OXIDE	9	
1					LD-K HOOD	ALUMINIUM	ALUMINIUM OXIDE	8	
1					LD-K HOOD	ALUMINIUM	ALUMINIUM OXIDE	7	
1					LD-K HOOD	ALUMINIUM	ALUMINIUM OXIDE	6	
1					LD-K HOOD	ALUMINIUM	ALUMINIUM OXIDE	5	
1					LD-K HOOD	ALUMINIUM	GREY	4	
1					LD-K HOOD	ALUMINIUM	GREY	3	
1					LD-K HOOD	ALUMINIUM	GREY	2	
1					LD-K HOOD	ALUMINIUM	GREY	1	

ORDERING TEXT

THIS DRAWING IS A CONTROLLED DOCUMENT. DATE: 01.01.2002. SCHNEIDER. DATE: 01.01.2002. SCHWEIGER.

DIMENSIONS: DIM: PRODUCT SPEC: APPLICATION SPEC: MATERIAL: FINISH: CUSTOMER DRAWING: SCALE: 1:1. SHEET: 1 OF 1. REF: A20.

STE TE Connectivity
 HOOD HD.40.STO.STS.M32/M40.G

X-ON Electronics

Largest Supplier of Electrical and Electronic Components

Click to view similar products for [Heavy Duty Power Connectors](#) category:

Click to view products by [TE Connectivity](#) manufacturer:

Other Similar products are found below :

[1424439](#) [1424438](#) [09330062652](#) [2-8675P1](#) [605601-1](#) [6340G1](#) [6341G1](#) [6360G1](#) [6373G1](#) [6374g2](#) [6396G1](#) [647757-1](#) [66394-4](#) [6643411-1](#)
[6646058-2](#) [6646137-1](#) [6646138-1](#) [6646348-1](#) [6646479-1](#) [6646608-1](#) [6646786-1](#) [6646940-1](#) [6651091-1](#) [6651525-1](#) [6651529-1](#) [6651778-1](#)
[6651788-1](#) [696465-1](#) [696475-1](#) [73000005059](#) [73000005349](#) [73000005642](#) [73080255059](#) [73080965046](#) [765-15-0080A](#) [765-16-0080B](#)
[789.700-44](#) [789.700-54](#) [80-1010](#) [80-9](#) [827381-1](#) [829992-1](#) [902-77-02113](#) [PL00U-301-10D10](#) [PM103MOOLOO](#) [PM16S1620S32-50](#)
[PM212MOOLOO](#) [PM309FOOLOO](#) [PM324FOOLCH](#) [PMHPAF11S03](#)