

THIS DRAWING IS UNPUBLISHED.

RELEASED FOR PUBLICATION

2006

© COPYRIGHT 2006 BY -

ALL RIGHTS RESERVED.

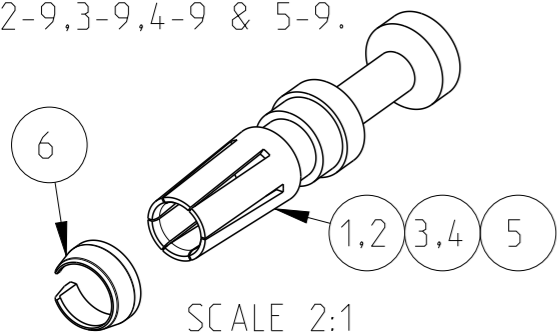
LOC
A1

DIST
-

REVISIONS

| P | LTR | DESCRIPTION | DATE | DWN | APVD |
|---|-----|---------------|-----------|-----|------|
| | A7 | ECR-14-012792 | 30AUG2014 | RK | MKO |

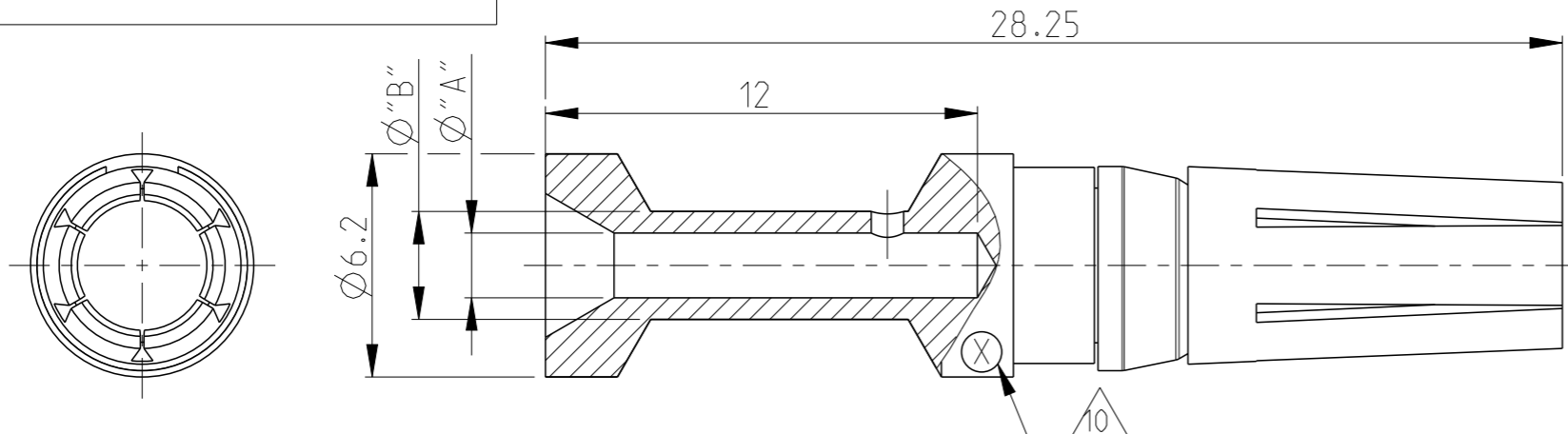
PN 1-1,2-1,3-1,4-1,5-1
1-9,2-9,3-9,4-9 & 5-9.



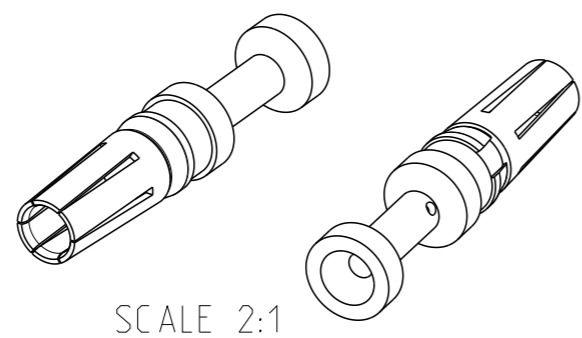
SCALE 2:1

Notes

- 1 MATERIAL: BRASS
- 2 FINISH SILVER PLATING: 2µm Ag MIN. OVER Cu
- 3 ASSEMBLY WEIGHT SEE TABLE. VOLUME: 479mm³ (APPROX.)
- 4 PACKAGING: 25 PIECES IN A POLY-BAG AND CARTON
- 5 SUITABLE SOCKET CONTACT: PN 1108756
- 6 SUITABLE INSERTS: SERIES HSK
- 7 SUITABLE CRIMPING TOOL: PN 1-1105850-8
- 8 SUITABLE INSERTION TOOL: PN 0-1102855-6
- 9 SUITABLE EXTRACTION TOOL: PN 0-1102855-8
- 10 CROSS-SECTION MARKING
- 11 STANDARDS: DIN EN 61984, DIN EN 60664-1



| ITEM NO | STRIPPING-LENGTH (MM) | CROSS-SECTION MARKINGS | DIMENSIONS | WEIGHT IN (Kg) | CROSS SECTION | DESCRIPTION | PLATING | 1-1 | 2-1 | 3-1 | 4-1 | 5-1 | 1-9 | 2-9 | 3-9 | 4-9 | 5-9 | |
|---------|-----------------------|------------------------|------------|----------------|---------------|----------------|---------|-----|-----|-----|-----|-----|-----|-----|-----|-----|-----|---|
| 6 | - | - | - | - | - | CLIP | Ni | 1 | 1 | 1 | 1 | 1 | 1 | 1 | 1 | 1 | 1 | 1 |
| 5 | 12 | 8 | 5.9 | 4.35 | 10 | SOCKET CONTACT | Ag | 1 | | | | 1 | | | | | | 1 |
| 4 | 12 | 7 | 4.9 | 3.5 | 6.0 | SOCKET CONTACT | Ag | | | 1 | | | | | | | | 1 |
| 3 | 12 | 6 | 3.9 | 2.85 | 4.0 | SOCKET CONTACT | Ag | | | | 1 | | | | | | | 1 |
| 2 | 12 | 5 | 3.2 | 2.2 | 2.5 | SOCKET CONTACT | Ag | | | | | 1 | | | | | | 1 |
| 1 | 12 | 4 | 3.0 | 1.8 | 1.5 | SOCKET CONTACT | Ag | | | | | | 1 | | | | | 1 |



SCALE 2:1

THIS DRAWING IS A CONTROLLED DOCUMENT.

| | |
|-------------|----------------------------------------|
| DIMENSIONS: | TOLERANCES UNLESS OTHERWISE SPECIFIED: |
| mm | n. ISO 80 |
| | m. ISO 2768-mh-E |
| | B. DIN 16901 |
| | 0 PLC ± |
| | 1 PLC ± |
| | 2 PLC ± |
| | 3 PLC ± |
| | 4 PLC ± |
| | ANGLES ± |
| MATERIAL | FINISH |
| 1 | 2 |

| | | |
|------------------|---------------|-----------|
| DWN | SCHWEIGER | 03Mar2008 |
| CHK | H.BRAUN | 03Mar2008 |
| APVD | T. SCHNURPFEL | 03Mar2008 |
| PRODUCT SPEC | 108-74004 | |
| APPLICATION SPEC | 114-74003 | |
| WEIGHT | - | |
| Customer Drawing | | |



| | | | | | | | |
|-----------|-----------|------------|---------------|---------------------------|--------|--|--|
| NAME | | | | SOCKET CONTACT SERIES HSK | | | |
| SIZE | CAGE CODE | DRAWING NO | RESTRICTED TO | | | | |
| A3 | 00779 | ©=1108756 | - | | | | |
| SCALE 5:1 | | | SHEET 1 OF 1 | | REV A7 | | |

X-ON Electronics

Largest Supplier of Electrical and Electronic Components

Click to view similar products for [Heavy Duty Power Connectors](#) category:

Click to view products by [TE Connectivity](#) manufacturer:

Other Similar products are found below :

[1424439](#) [1424438](#) [09330062652](#) [2-8675P1](#) [605601-1](#) [6340G1](#) [6341G1](#) [6360G1](#) [6373G1](#) [6374g2](#) [6396G1](#) [647757-1](#) [66394-4](#) [6643411-1](#)
[6646058-2](#) [6646137-1](#) [6646138-1](#) [6646348-1](#) [6646479-1](#) [6646608-1](#) [6646786-1](#) [6646940-1](#) [6651091-1](#) [6651525-1](#) [6651529-1](#) [6651778-1](#)
[6651788-1](#) [696465-1](#) [696475-1](#) [73000005059](#) [73000005349](#) [73000005642](#) [73080255059](#) [73080965046](#) [765-15-0080A](#) [765-16-0080B](#)
[789.700-44](#) [789.700-54](#) [80-1010](#) [80-9](#) [827381-1](#) [829992-1](#) [902-77-02113](#) [PL00U-301-10D10](#) [PM103MOOLOO](#) [PM16S1620S32-50](#)
[PM212MOOLOO](#) [PM309FOOLOO](#) [PM324FOOLCH](#) [PMHPAF11S03](#)