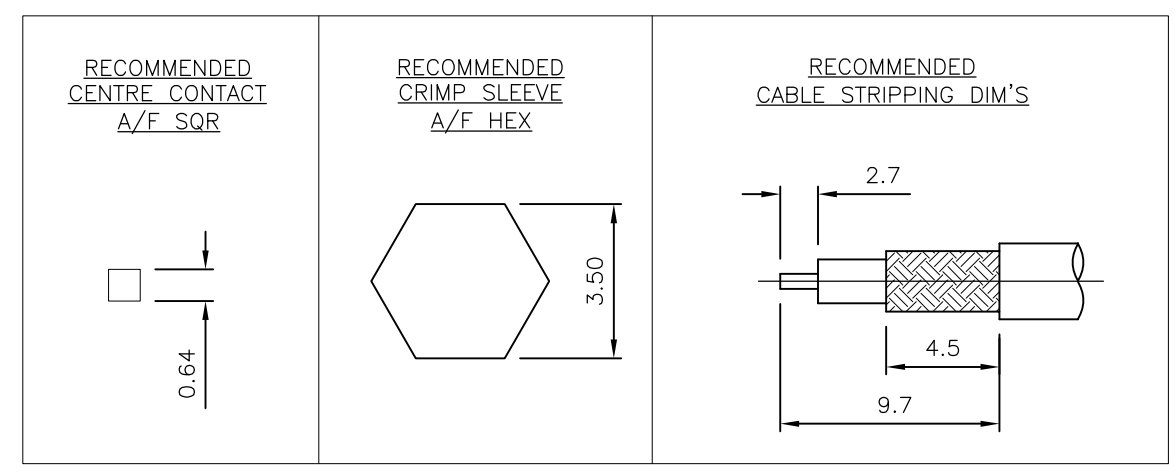
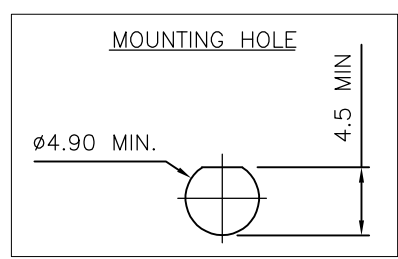
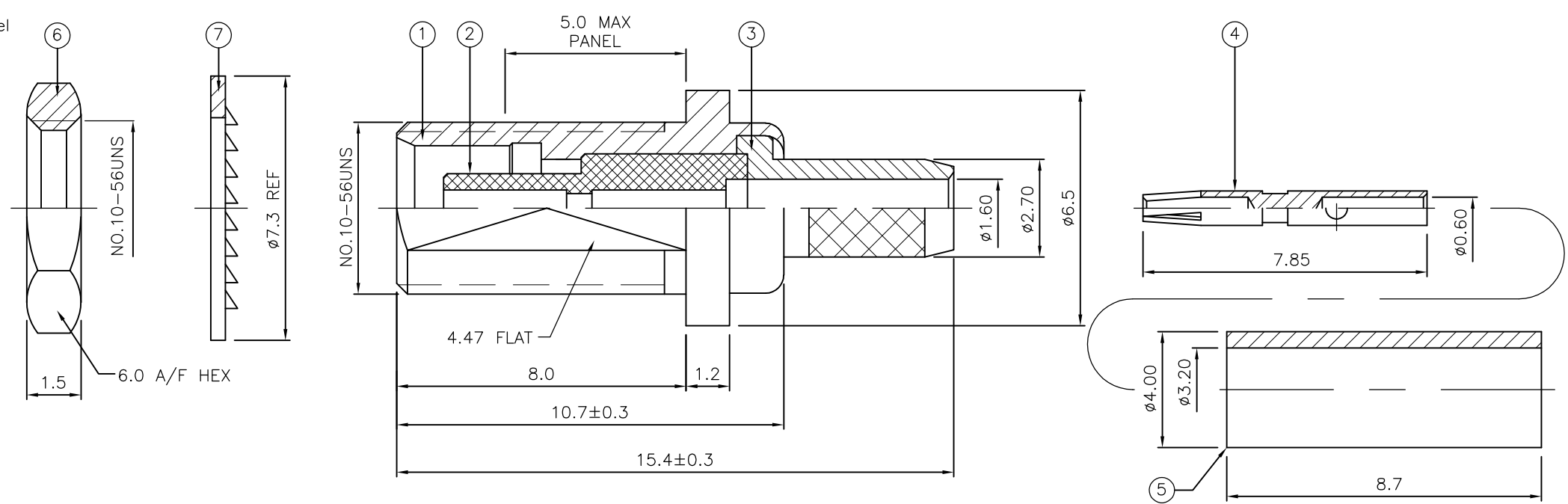


THIS DRAWING IS UNPUBLISHED. RELEASED FOR PUBLICATION FEB ,2006.
 © COPYRIGHT 2006 By - ALL RIGHTS RESERVED.

REVISIONS				
P	LTR	DESCRIPTION	DATE	DWN APVD
	D	PER ECO-14-000522	10MAY14	RZ MY

- NOTES:**
- ① PACK IN ACCORDANCE WITH AMP SPEC 107-3275
 - ② 100 TRAY PACK IN ACCORDANCE WITH AMP SPEC 107-3275
 - ③ Au PLATING
 - 4 HAND TOOL : 9-1478240-0
 - 5 DIE SET : 9-1478248-0
 - 6 ELECTRICAL CHARACTERISTICS
 FREQUENCY RANGE: DC - 6 GHz
 NOMINAL IMPEDANCE: 50 Ohm
 INSULATION RESISTANCE: 1000 MOhm
 WORKING VOLTAGE: 335 Volts RMS at Sea Level
 DIELECTRIC WITHSTAND VOLTAGE: 1000 Volts RMS Max
 CONTACT RESISTANCE:
 CENTER CONTACT: 5.00 mOhm Max
 OUTER CONTACT: 1.00 mOhm Max
 VSWR @ 4GHz: 1.35:1 Max
 INSERTION LOSS dB @ x 1.0 GHz: 0.10 Max
 - 7 MECHANICAL CHARACTERISTICS
 COUPLING NUT RETENTION FORCE: N/A
 CABLE RETENTION FORCE:
 "RG174A/U, 188A/U, 316/U, URM95:" 85N Min
 "RG178B/U, 196A/U:" 25N Min
 MOUNT NUT RECOMMENDED TORQUE: 0.75 Nm
 DURABILITY: 500 Cycles Min
 - 8 ENVIRONMENTAL CHARACTERISTICS
 OPERATING TEMPERATURE: -55 to +155 DegC



QTY	QTY	MATERIAL	NOTE	DESCRIPTION	ITEM
1	1	BRASS	③	LOCKWASHER	7
1	1	BRASS	③	HEXAGONAL NUT	6
1	1	BRASS	③	FERRULE	5
1	1	BERYLLIUM COPPER	③	CONTACT	4
1	1	BRASS	③	CHASSIS	3
1	1	PTFE		INSULATION	2
1	1	BRASS	③	BODY	1
6--0	1--0	MATERIAL		DESCRIPTION	ITEM

THIS DRAWING IS A CONTROLLED DOCUMENT.

DWN J.SANDWELL 06FEB06
 CHK S.PARLOW 06FEB06
 APVD F.WHEELER-KING 06FEB06

PRODUCT SPEC -
 APPLICATION SPEC 411-3247

MATERIAL SEE TABLE FINISH -

WEIGHT -

CUSTOMER DRAWING

SCALE NTS SHEET 1 OF 1 REV D

STE TE Connectivity

NAME MCX BULKHEAD JACK REAR MOUNT CRIMP 50 OHM RG174A/U, 188A/U, 316/U, URM95, KX3B, KX22A

SIZE A3 CAGE CODE 00779 DRAWING NO C-1337588 RESTRICTED TO -

X-ON Electronics

Largest Supplier of Electrical and Electronic Components

Click to view similar products for [RF Connectors](#) / [Coaxial Connectors](#) category:

Click to view products by [TE Connectivity](#) manufacturer:

Other Similar products are found below :

[R125315120](#) [8915-1511-000](#) [89674-0827](#) [5916-1103-603](#) [0106-001-000](#) [6-0001-3](#) [6001-7071-019](#) [6002-7051-003](#) [6002-7551-202](#) [6059674-1](#) [619550-1](#) [630059-000](#) [M39012/25-0021](#) [M39012/79-3008](#) [M39030/3-01N](#) [M39030/3-03N](#) [M3933/25-36N](#) [6500-7071-046](#) [6501-1071-002](#) [M83723/72W2457N](#) [6769](#) [CX050L2AQ](#) [7002-1541-010](#) [7002-1572-002](#) [7003-1572-002](#) [7004-1512-000](#) [7009-1511-004](#) [7010-1511-000](#) [7029-1511-060](#) [7101-1541-010](#) [7101-1571-002](#) [7105-1521-002](#) [7145-1521-002](#) [7209-1511-011](#) [7210-1511-012](#) [7210-1511-015](#) [7210-1511-019](#) [7210-1511-040](#) [7225-1512-050](#) [7242-1511-000](#) [73137-5015](#) [73251-0111](#) [73251-0672](#) [73276-1501](#) [73366-0013](#) [73404-2300](#) [73413-6080](#) [73415-5721](#) [7405-1521-005](#) [7405-1521-802](#)