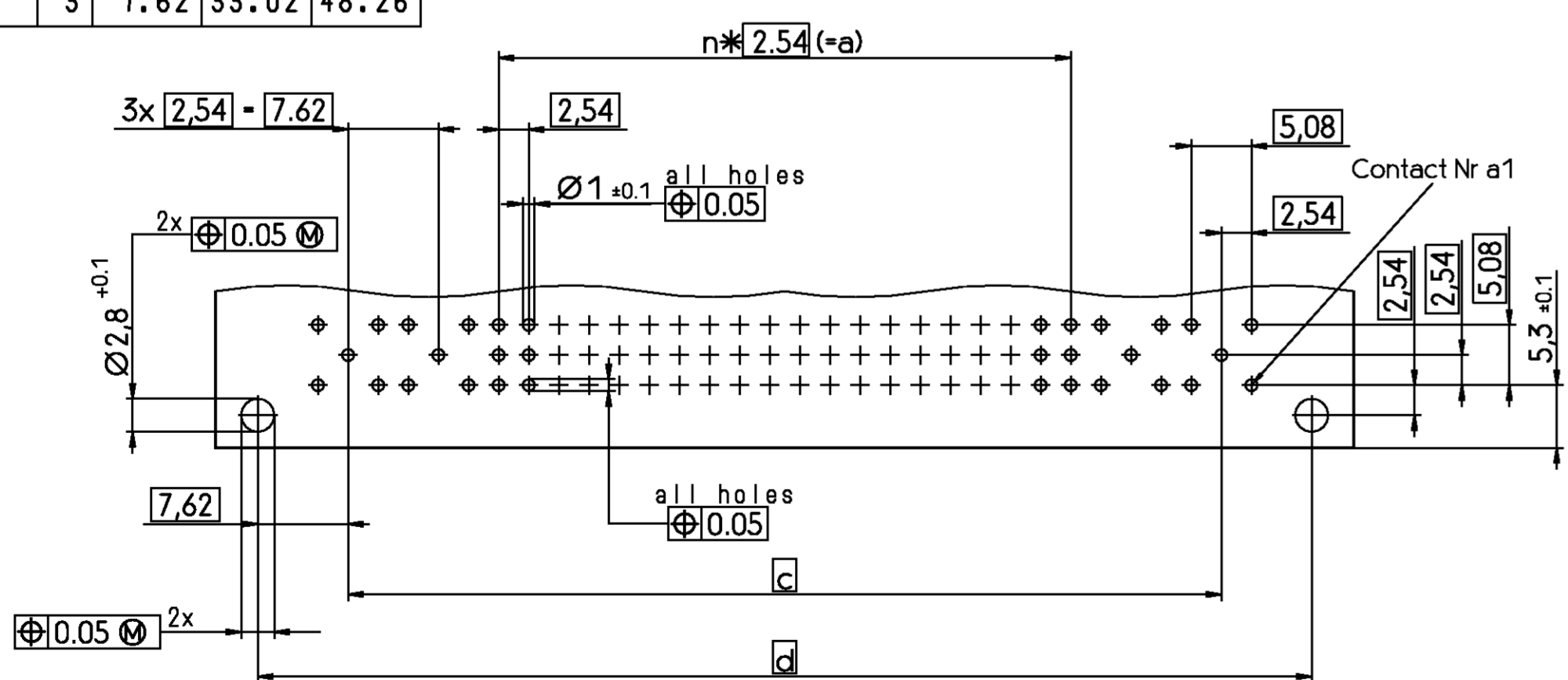


Type	n	a	c	d
M	19	48.26	73.66	88.9
M/2	3	7.62	33.02	48.26

Mounting holes in PCB



V 4 2 2 5 4 - B 1 * * * - M * * *

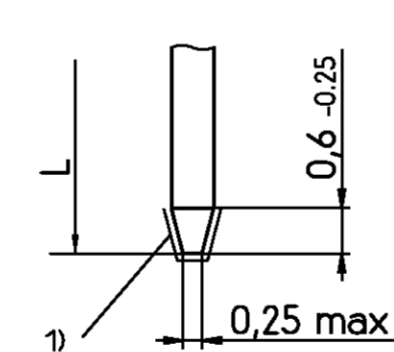
Code for performance level: * * *

Code for termination style: B 1

Style, nr of contacts and contact assignment: see page 2

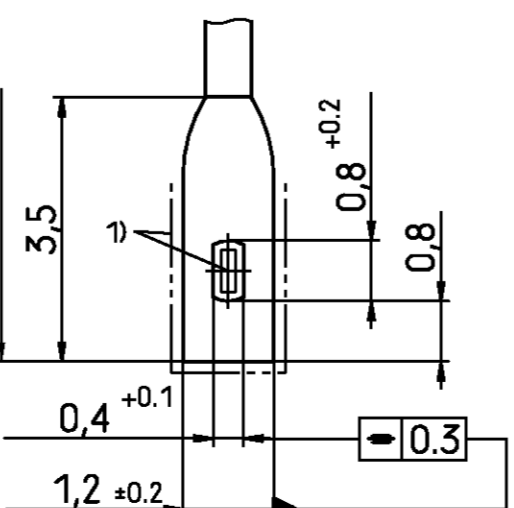
Termination Style

Soldering/Wire-Wrap pins



1) Cutting edges not plated
Terminations Sn plated

Soldering lug

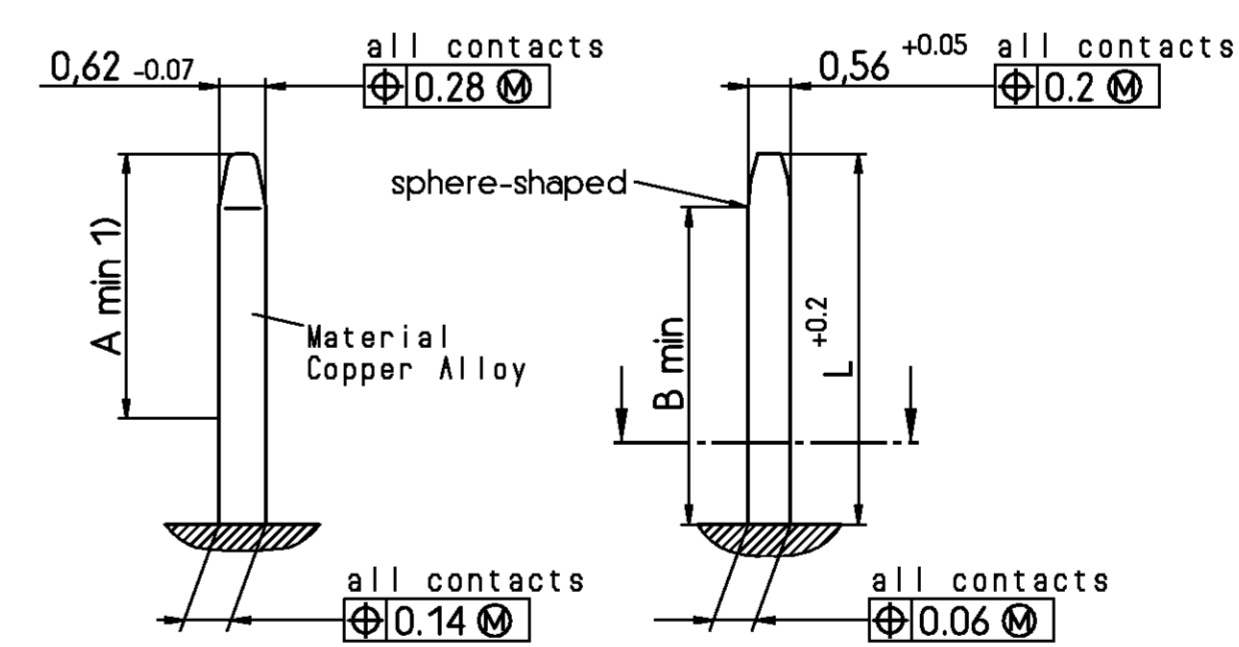


L Code

3	-0.4	00
2.9 ± 0.3		01
4.5 ± 0.3		02
13 ± 0.5		40
11 ± 0.5		41
17 ± 0.5		42
5.5 ± 0.3		35
10	-0.5	

V42254-B1***-M***

Contact: Dimensions, plating, material, pre-mating



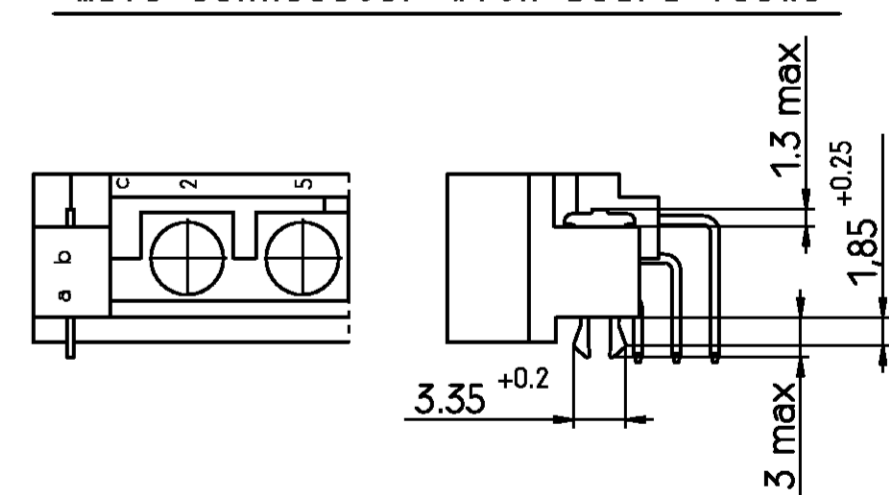
	L	A	B
normal contacts	4.8	3.5	4.2
pre-mating contacts	5.8	4.5	5.2

V42254-B1***-M***

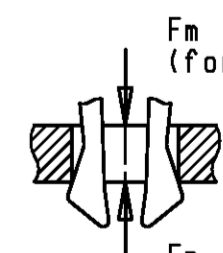
Performance level	Noble metals	Code
Class I	Pd + Au or Au	1
	Au	4
Class II	Pd + Au or Au	2
	Au	5
Class III	Pd + Au or Au	3

Nickel underlayer:
Protection Film: HF-grease

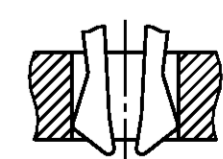
Male connector with board locks



Mounted in PC-boards of 1.5 to 1.8 mm
F_m < 60 N
F_r >= 20 N
F_r >= 200 N, wenn soldered-in



Mounted in PC-boards over 1.8 mm
F_m < 60 N
F_r >= 16 N



PROPRIETARY: THIS INFORMATION IS CONFIDENTIAL AND PROPRIETARY TO TYCO ELECTRONICS CORPORATION AND ITS WORLDWIDE SUBSIDIARIES AND AFFILIATES. IT MAY NOT BE DISCLOSED TO ANYONE, OTHER THAN TYCO ELECTRONICS PERSONNEL, WITHOUT WRITTEN AUTHORIZATION FROM TYCO ELECTRONICS CORPORATION, HARRISBURG, PENNSYLVANIA, USA.

Product description code	TE Part Number	Style & Number of Positions	Termination posts	Loaded Rows	Standard Pre-Mating 1mm 1)	Performance Level	Board Locks
V42254-B1100-M120	2-1393844-2	M12 + 4	right-angle solder leads	every row , every pitch	No	1	No
V42254-B1100-M600	2-1393844-7	M60 + 4	right-angle solder leads	every row , every pitch	No	1	No
V42254-B1102-M600	3-1393844-9	M60 + 4	4,5mm straight solder leads	every row , every pitch	No	1	No
V42254-B1135-M120	4-1393844-1	M12 + 4	solder lugs	every row , every pitch	No	1	No
V42254-B1135-M600	4-1393844-3	M60 + 4	solder lugs	every row , every pitch	No	1	No
V42254-B1200-M120	1-1393845-2	M12 + 4	right-angle solder leads	every row , every pitch	No	2	No
V42254-B1200-M600	1-1393845-0	M60 + 4	right-angle solder leads	every row , every pitch	No	2	No
V42254-B1200-M603	1-1393845-1	M60 + 4	right-angle solder leads	row atc , every pitch	No	2	No
V42254-B1200-M603B	1-1393845-2	M60 + 4	right-angle solder leads	row atc , every pitch	No	2	No
V42254-B1200-M613	1-1393845-3	M60 + 4	right-angle solder leads	row atc , every pitch	No	2	No
V42254-B1202-M120	4-1393845-8	M12 + 4	4,5mm straight solder leads	every row , every pitch	No	2	No
V42254-B1235-M120	4-1393845-9	M12 + 4	solder lugs	every row , every pitch	No	2	No
V42254-B1235-M600	5-1393845-8	M60 + 4	solder lugs	every row , every pitch	No	2	No
V42254-B1240-M600	6-1393845-1	M60 + 4	13mm straight wire-wrap pins	every row , every pitch	No	2	No

SUPERSEDED BY 1-1393845-0

OBSOLETE


2)

SUPERSEDED BY 1-1393845-1

OBSOLETE

2) According to BT 236 level 2.
 1) First and last contact of each loaded row is a pre-mating (make first / break last) contact.

Active part numbers.
 Contact TE for other configuration availability

 TE Connectivity		SCALE		WEIGHT	
DATE 21.04.89		MATERIAL		PART NAME	
NAME Vanbesien		DIMENSIONS IN MM		PIN Assembly Eurocard, Type M	
DEP PD COM		TOLERANCE UNLESS SPECIFIED OTHERWISE		+ 4 Special Contacts and short versions	
C4 SEE SHEET 1		PART NO. V42254-B1***-M6***-7626		SHEET 2-	
REV. CHANGE ORDER		DATE		APP. Customer Drawing Nr. C 2-1393844-Z	
				OF 2	

X-ON Electronics

Largest Supplier of Electrical and Electronic Components

Click to view similar products for [DIN 41612 Connectors](#) category:

Click to view products by [TE Connectivity](#) manufacturer:

Other Similar products are found below :

[09231126901](#) [PCN10F-24P-2.54DS\(72\)](#) [004.767](#) [02221602702](#) [024069](#) [602427301412000](#) [013275](#) [691327-1](#) [74670-0732](#) [74680-0340](#)
[75880-0015](#) [76453-0014](#) [86093159ALF](#) [923454](#) [QLC260R](#) [120X10099X](#) [120X10019X](#) [120X10089X](#) [120X10129X](#) [121A10039X](#)
[121A10309X](#) [122A10019X](#) [122A10029X](#) [122A10249X](#) [122A10669X](#) [122A11089X](#) [122A13089X](#) [121B10409X](#) [122A10089X](#)
[122A10129X](#) [122A10349X](#) [122A13359X](#) [1377391-4](#) [DIN-048CPC-SR1-MH](#) [1393583-2](#) [1393726-7](#) [140X10059X](#) [140X10129X](#) [143-1913-](#)
[000](#) [143-1908-000](#) [1484472-1](#) [173052](#) [2110070-1](#) [2110070-2](#) [CBC20T00-008FDS5-0-1-002VR](#) [983-0SE12-12P6](#) [17041102202](#) [172699-](#)
[5036](#) [173051](#) [20](#) [8457096](#) [010](#) [025](#)