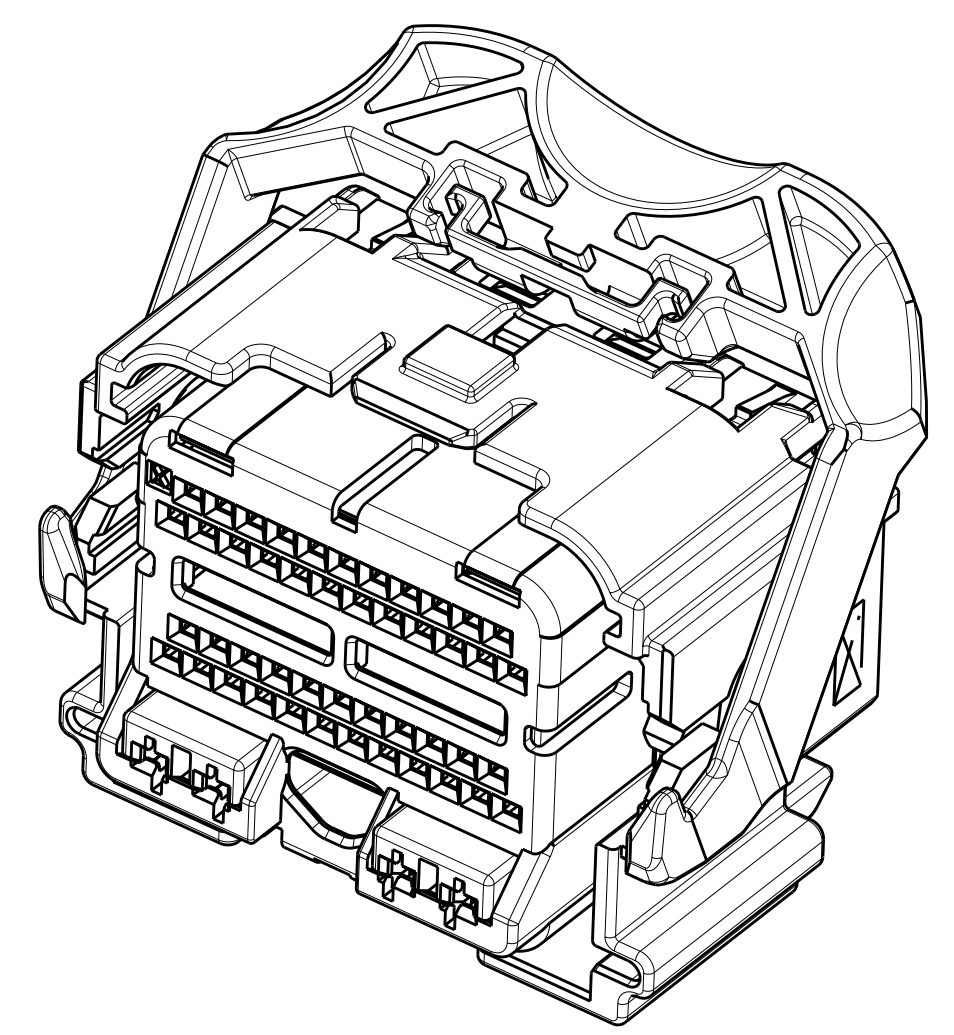
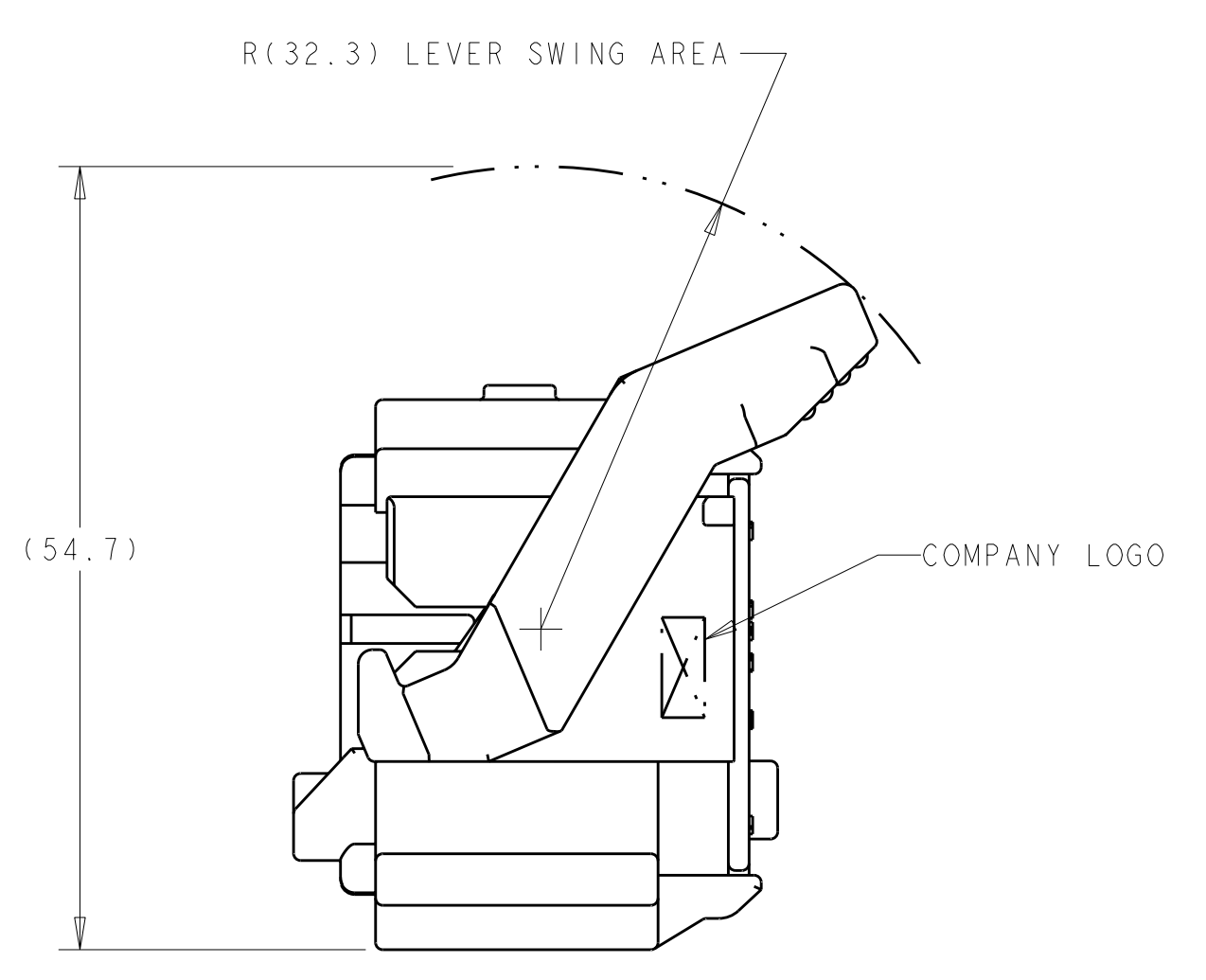
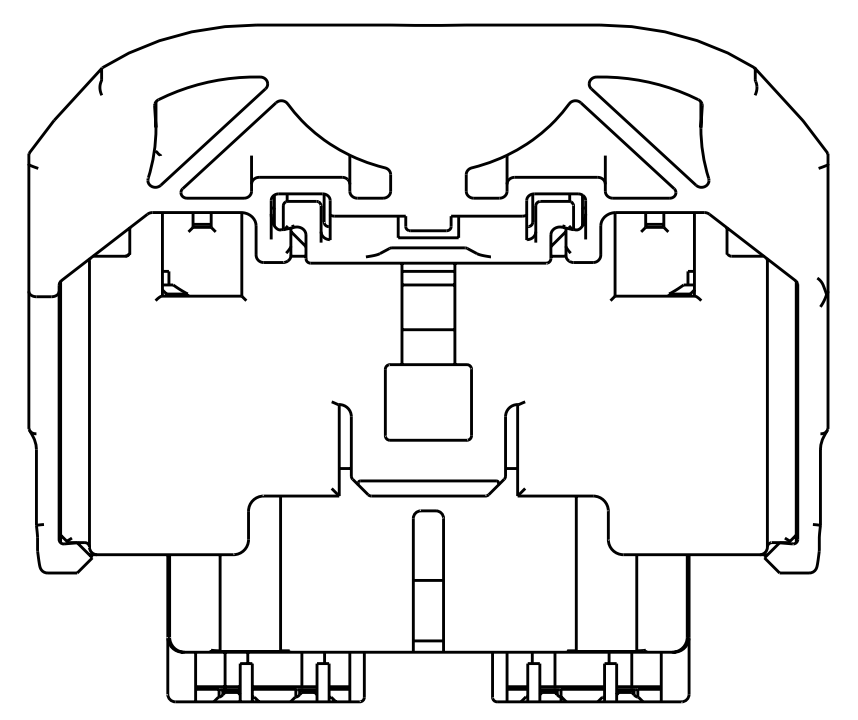


LOC	DIST	REV	DATE	BY	APP'D
FX	00	A11	22NOV2010	DLD	DCM

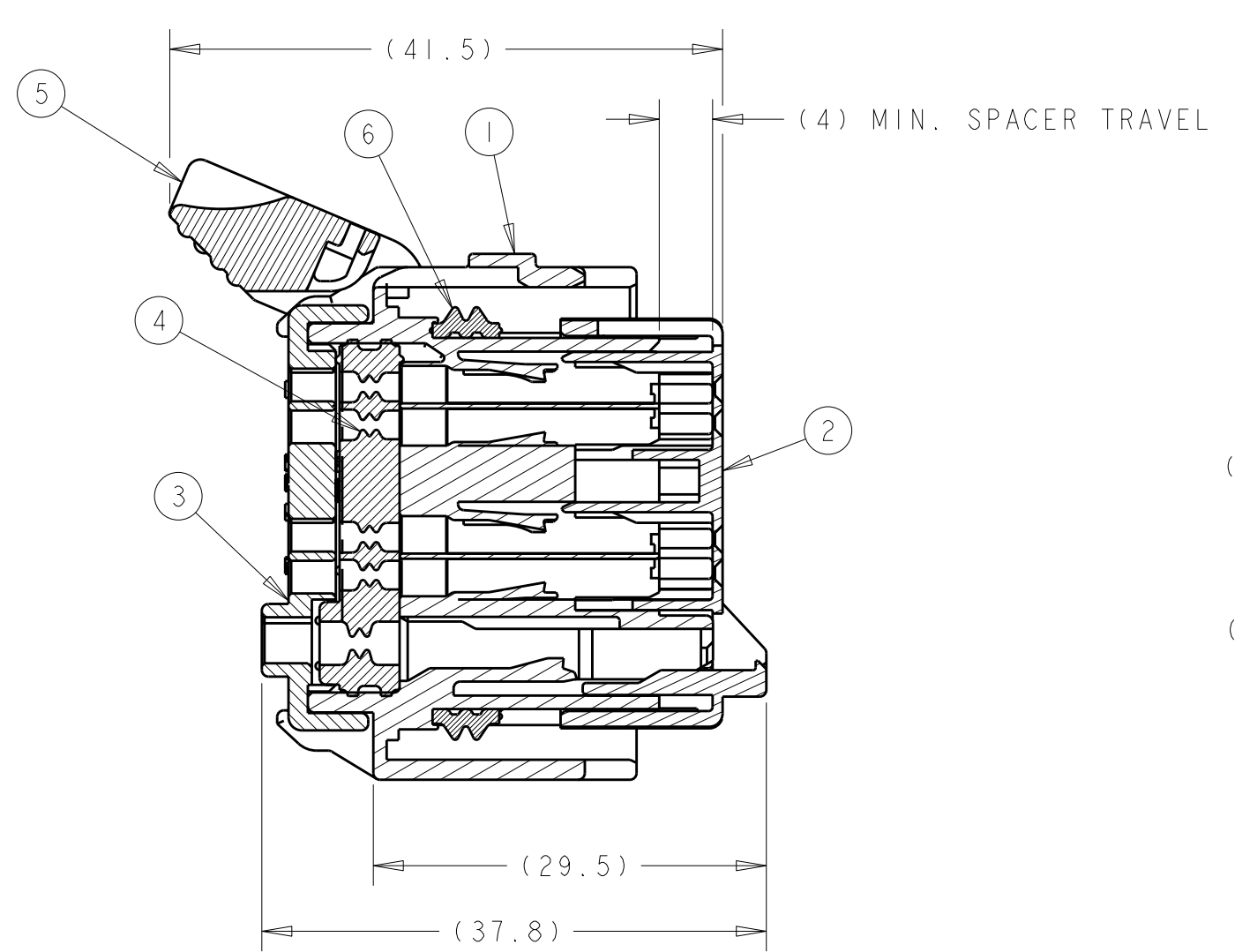


PART NUMBER:  
1438693-1  
SHOWN WITH SPACER  
IN SEATED POSITION  
SCALE 2:1

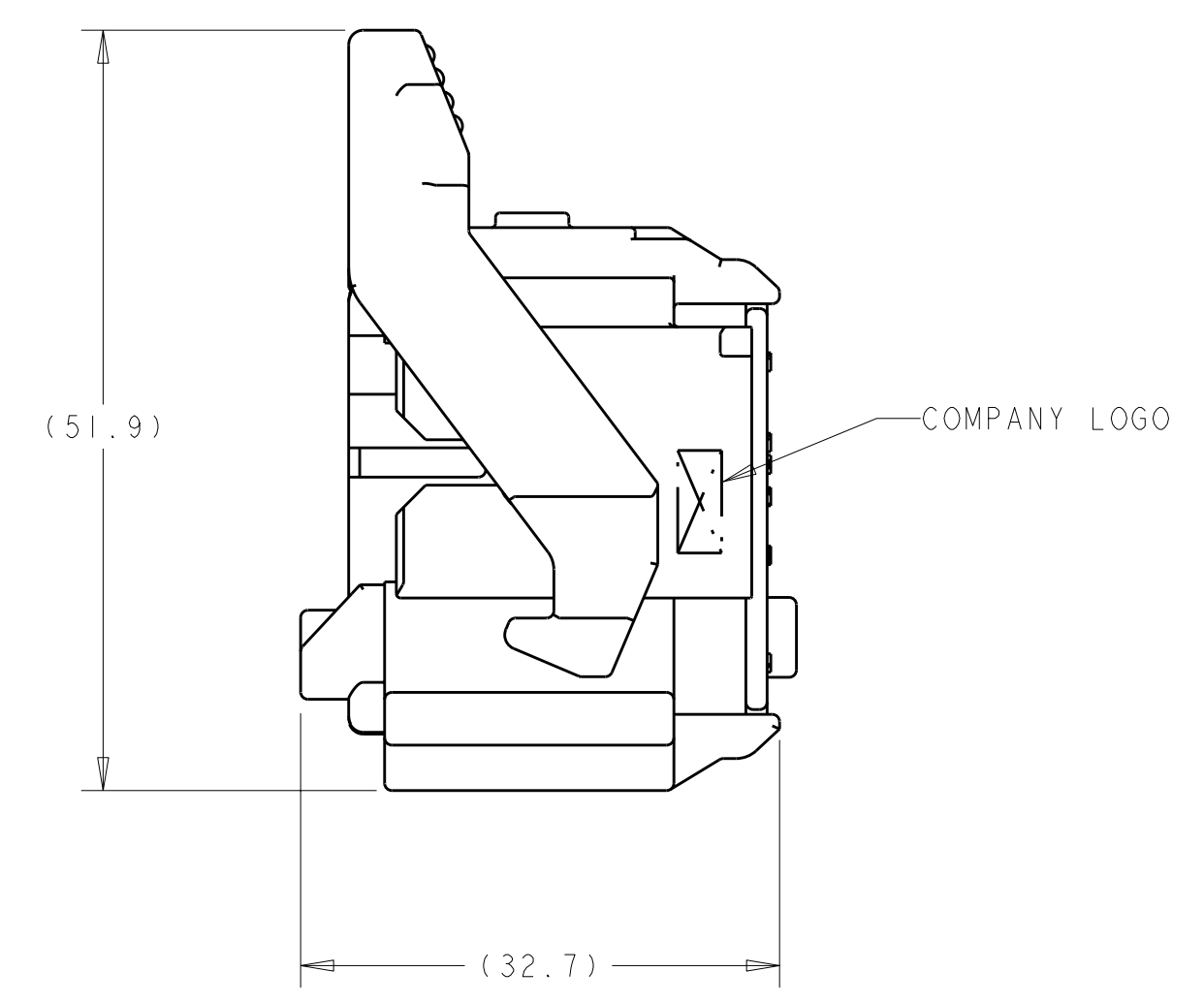
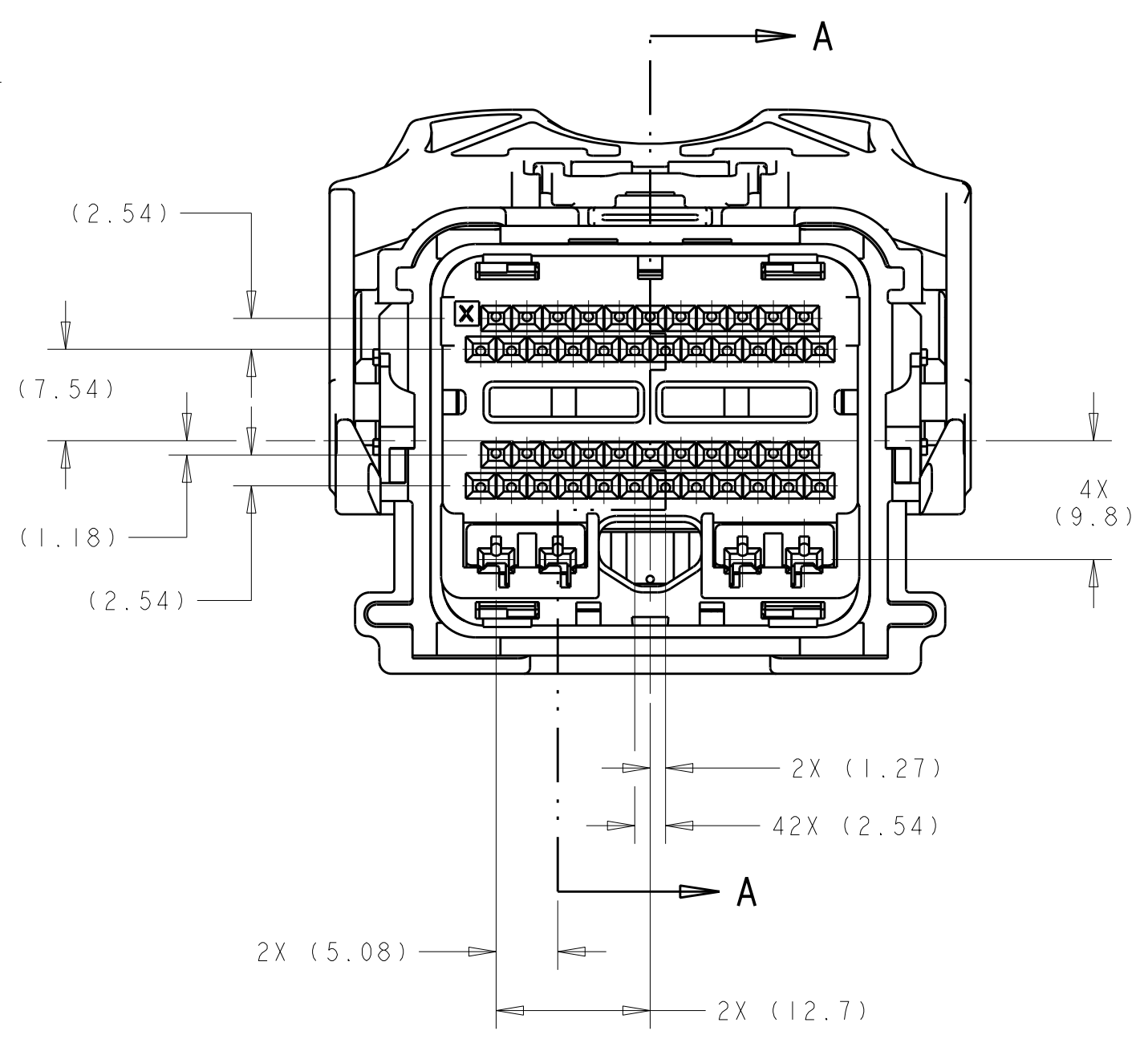


SHOWN WITH SPACER IN SEATED POSITION

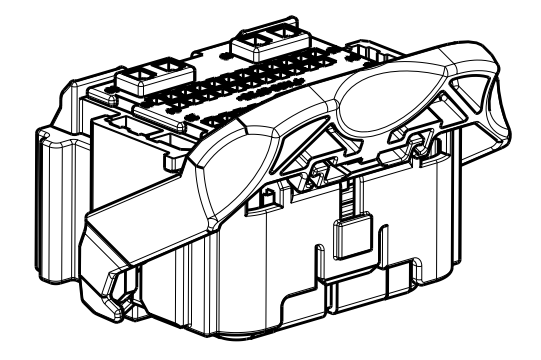
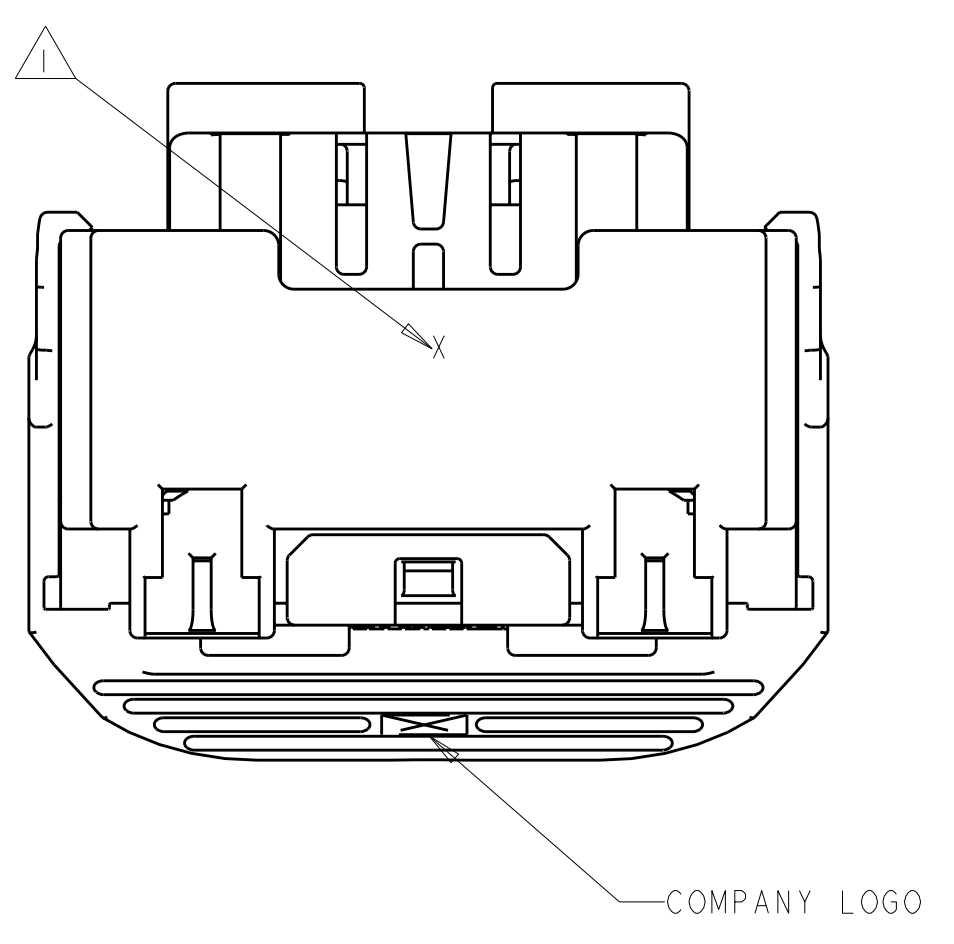
- 1. PRINT TYCO ELECTRONICS PART NUMBER AND TRACEABILITY (YY : 2 DIGIT YEAR, JJJ = JULIAN DATE, HH = 2 DIGIT MILITARY HOUR CODE) IN THE LOCATION AT ASSEMBLY.
- 2. OPTIONAL WIRE SHIELD PART NUMBERS (SOLD SEPARATELY) 1438126, 1438180, 1488373, AND 1488572. CONTACT TYCO ELECTRONICS ENGINEER FOR MINIMUM FEED THRU CONDITION.
- 3. APPLICABLE TERMINAL PART NUMBERS (SOLD SEPARATELY) FOR TIN APPLICATIONS: 1393367 AND 1393366. FOR GOLD APPLICATIONS: 1393365 AND 1393364. FOR TERMINATION AND REELING OPTIONS SEE DRAWINGS 1393367, 1393366, 1393365, AND 1393364.
- 4. APPLICABLE MOLEX (1.5) POWER TERMINAL PART NUMBERS: 33012-0002 TIN 0.50-1.50mm<sup>2</sup>
- 5. CAM LEVER AND SPACER ARE SHIPPED IN THEIR PRE-ASSEMBLED POSITIONS.



SECTION A-A  
SPACER AND LEVER IN  
PRE-SEATED POSITION  
(DELIVERY CONDITION)



SHOWN WITH CAM  
LEVER AND SPACER  
IN LOADED POSITION



SCALE 1:1

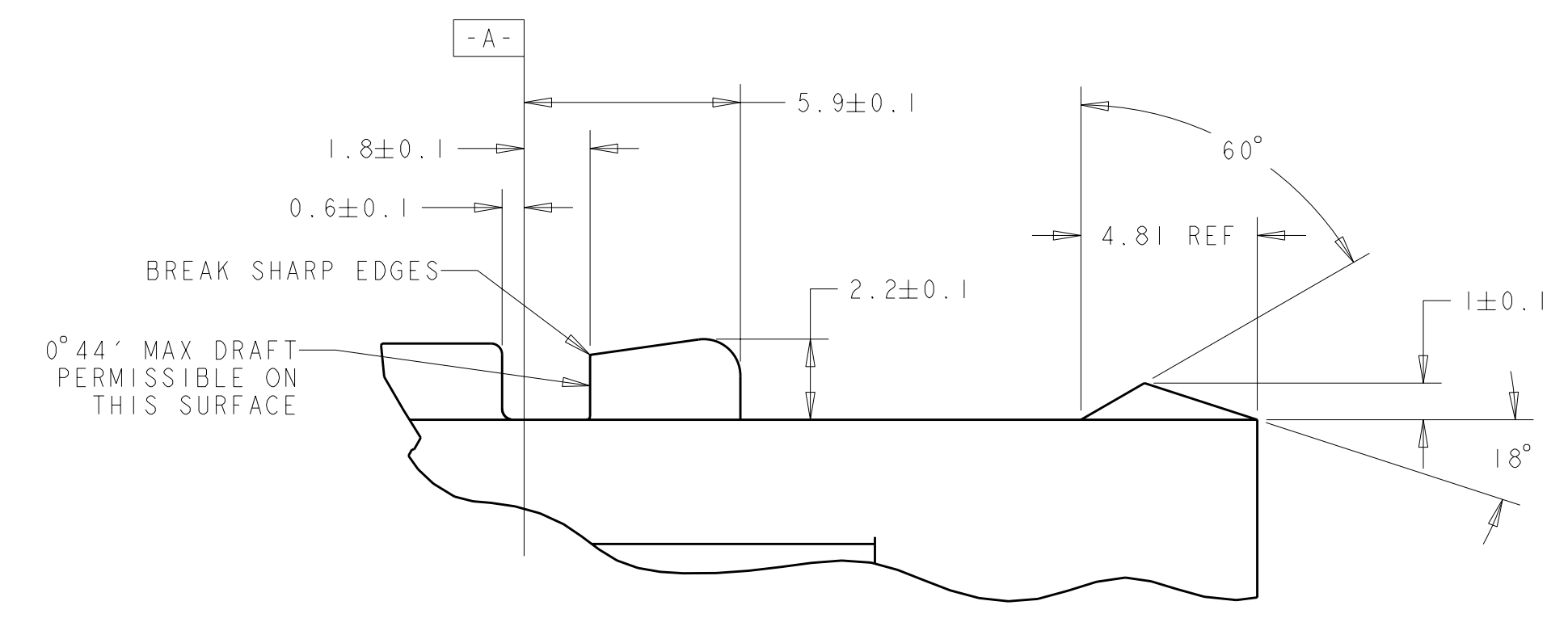
PART COLOR	DESCRIPTION	ITEM NO.
GREEN	PERIMETER SEAL	6
GRAY	LEVER	5
BROWN	GROMMET SEAL	4
BLACK	COVER	3
NATURAL	SPACER	2
BLACK	HARNESS, KEY "C"	1

DIMENSIONS: mm 		TOLERANCES UNLESS OTHERWISE SPECIFIED: 9 PLC ± 1 PLC ±0.3 2 PLC ±0.10 3 PLC ± 4 PLC ± ANGLES ±1° FINISH		DWN B. CRISAMORE 21 JUL 2004 CHK M. HITCHCOCK 21 JUL 2004 APVD C. MARTIN 21 JUL 2004 NAME PRODUCT SPEC APPLICATION SPEC WEIGHT CUSTOMER DRAWING		Tyco Electronics Harrisburg, PA 17105-3608 NAME PCMC 50-WAY HARNESS ASSEMBLY KEY C SIZE CAGE CODE DRAWING NO A11 00779 C=1438693 SCALE 2:1 SHEET 1 OF 4 REV ALL	
-----------------------	--	------------------------------------------------------------------------------------------------------------------------------	--	----------------------------------------------------------------------------------------------------------------------------------------------------------------------	--	-----------------------------------------------------------------------------------------------------------------------------------------------------------------------------------------	--

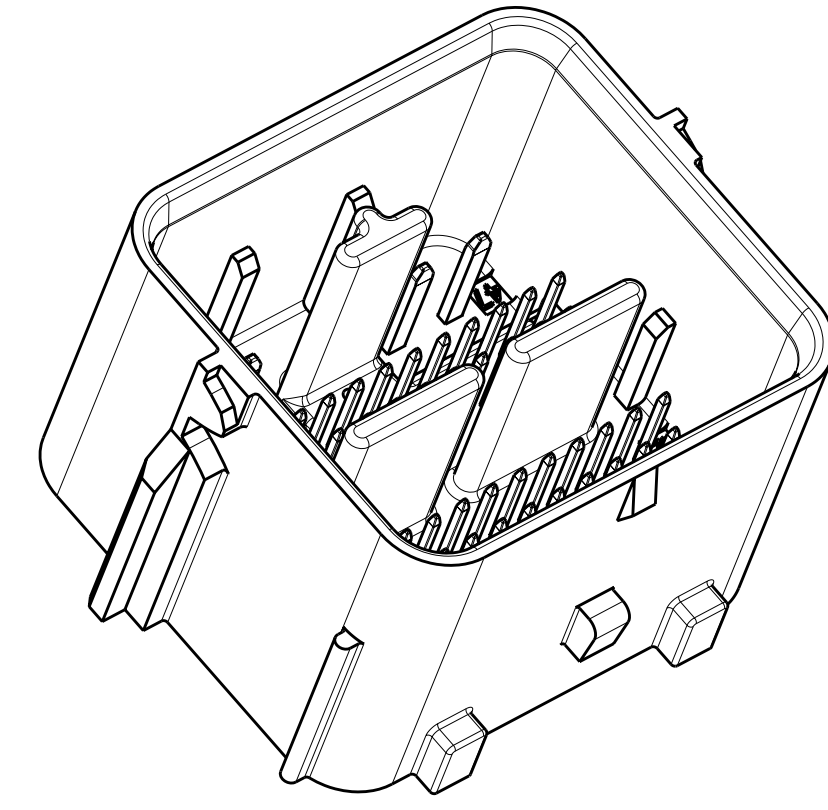
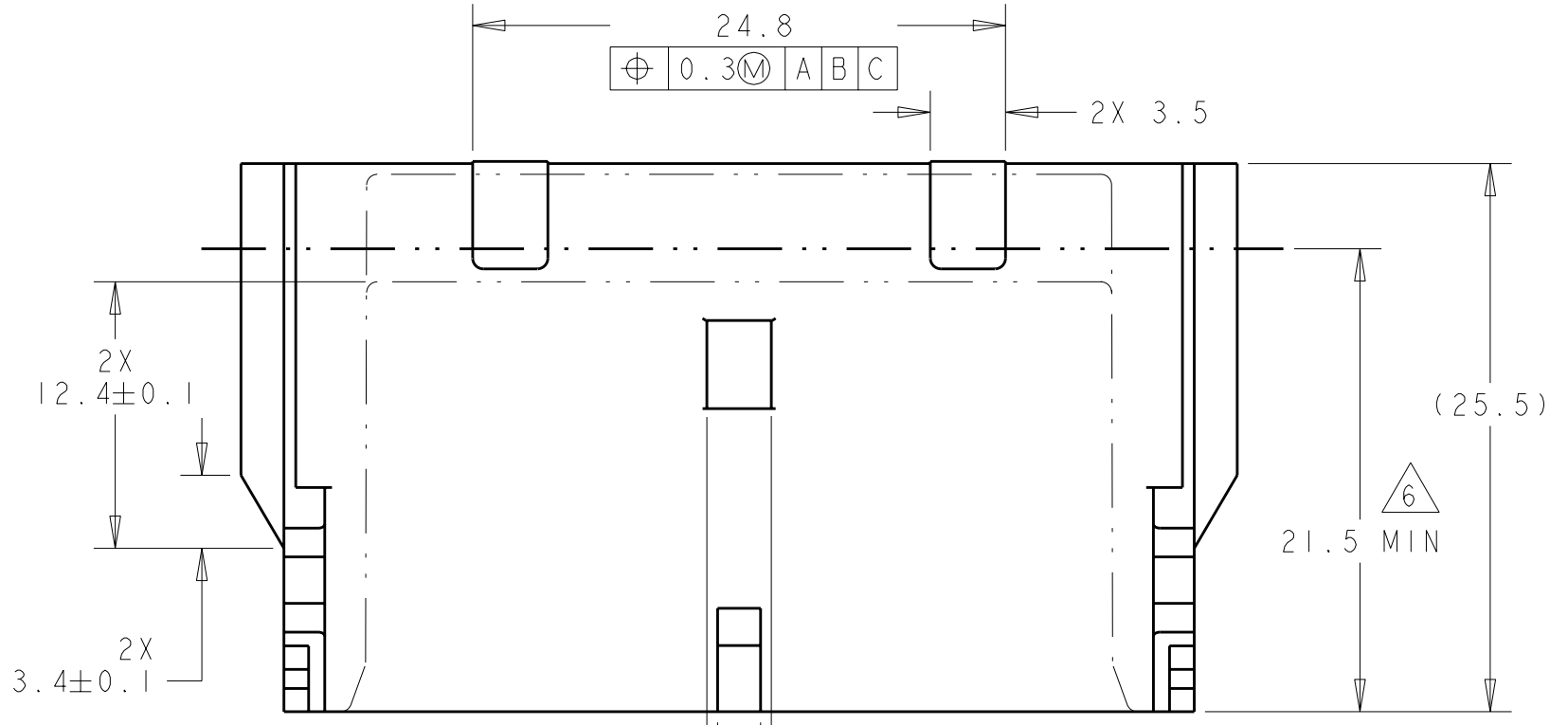
# APPLICABLE HEADER INTERFACE SPECIFICATION

SHOWN WITHOUT KEYING OPTIONS

LOC	DIST	REV	DATE	BY	APPD
FX	00	1			
		2			

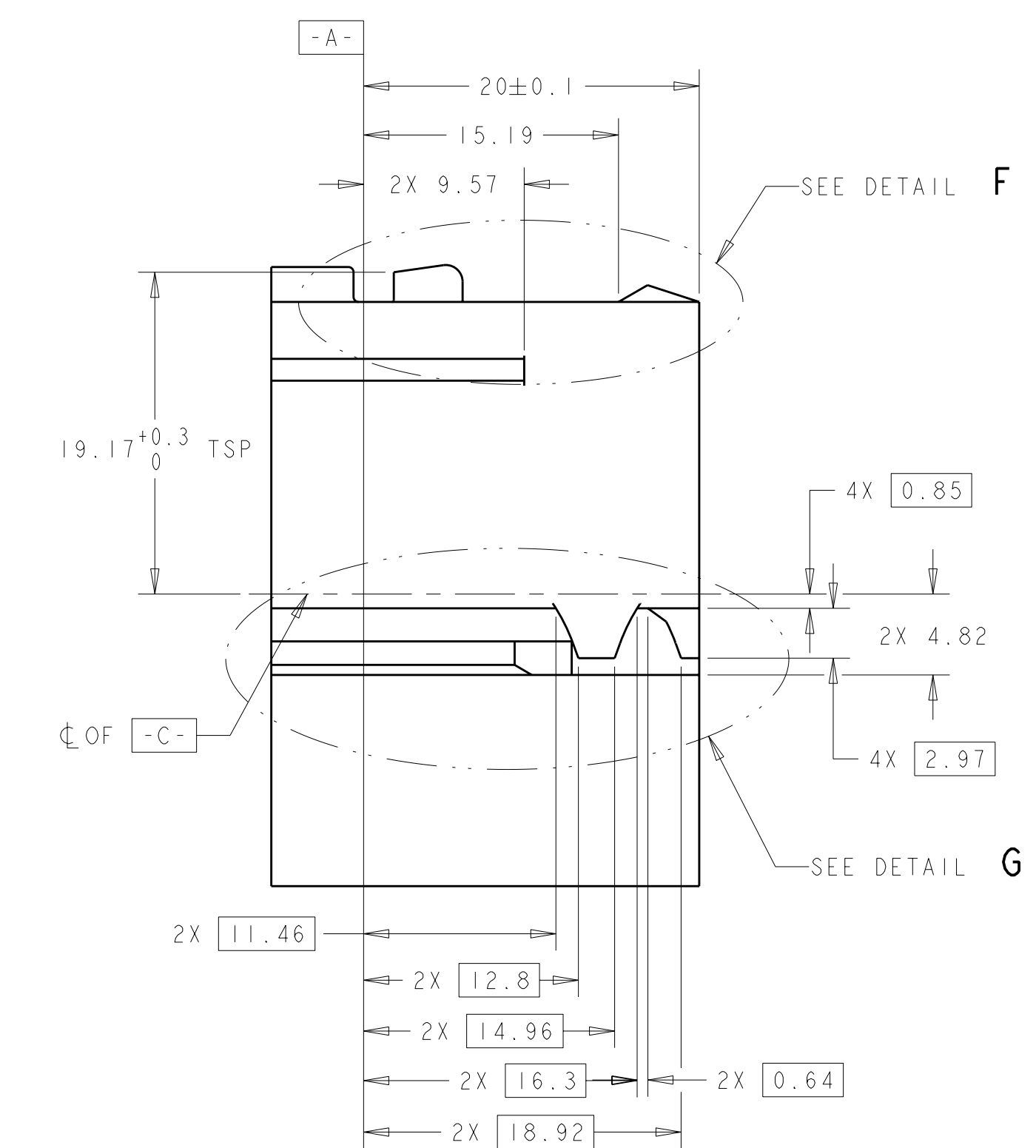


DETAIL F  
SCALE 6:1

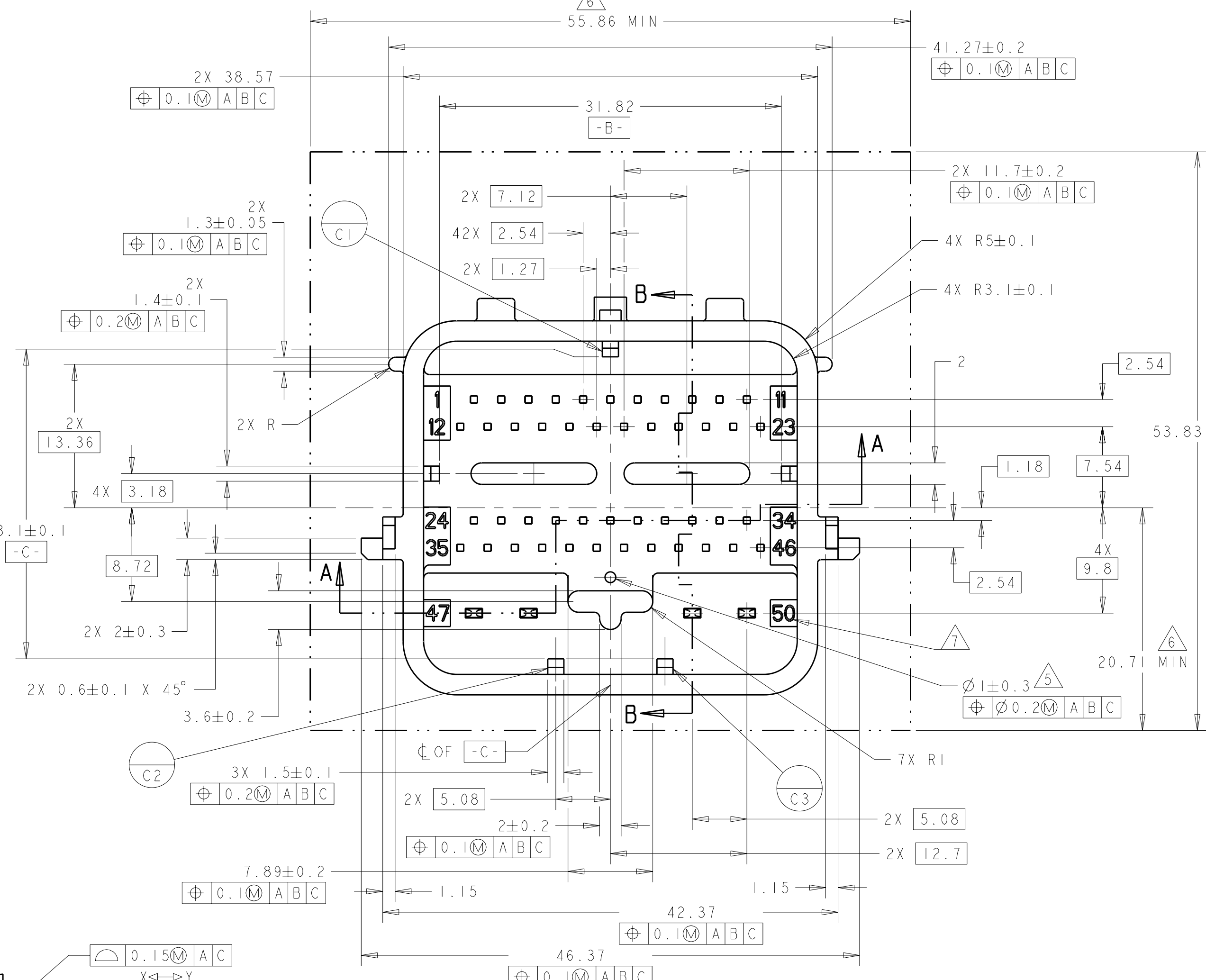


SCALE 2:1

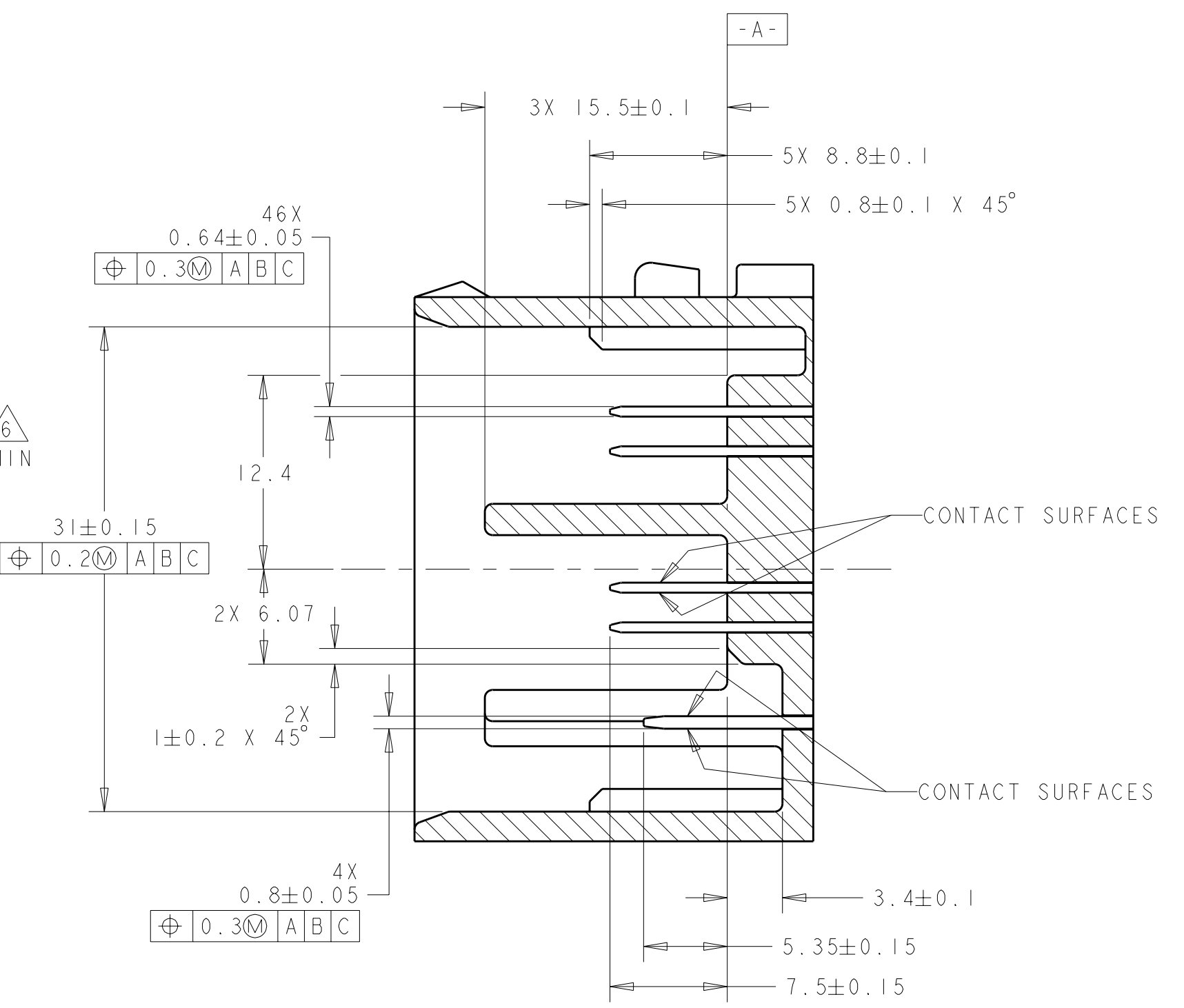
- NOTES: UNLESS OTHERWISE SPECIFIED
- GENERAL TOLERANCE:  
 ±0.3 ALL ONE PLACE DIMENSIONS  
 ±0.10 ALL TWO PLACE DIMENSIONS  
 ±1°00" ALL ANGULAR DIMENSIONS
  - DRAFT ANGLE PERMISSIBLE ONLY WITHIN DRAWING TOLERANCE.
  - SEALING SURFACE, NO WITNESS LINES OR DAMAGE PERMITTED.
  - ALL UNMARKED RADII TO BE 0.5 MAX., UNLESS OTHERWISE SPECIFIED.
  - VENT HOLE SIZE AND LOCATION IS OPTIONAL.
  - THIS AREA TO REMAIN CLEAR FOR THE HARNESS ASSEMBLY.
  - TERMINAL POSITION IDENTIFICATION.



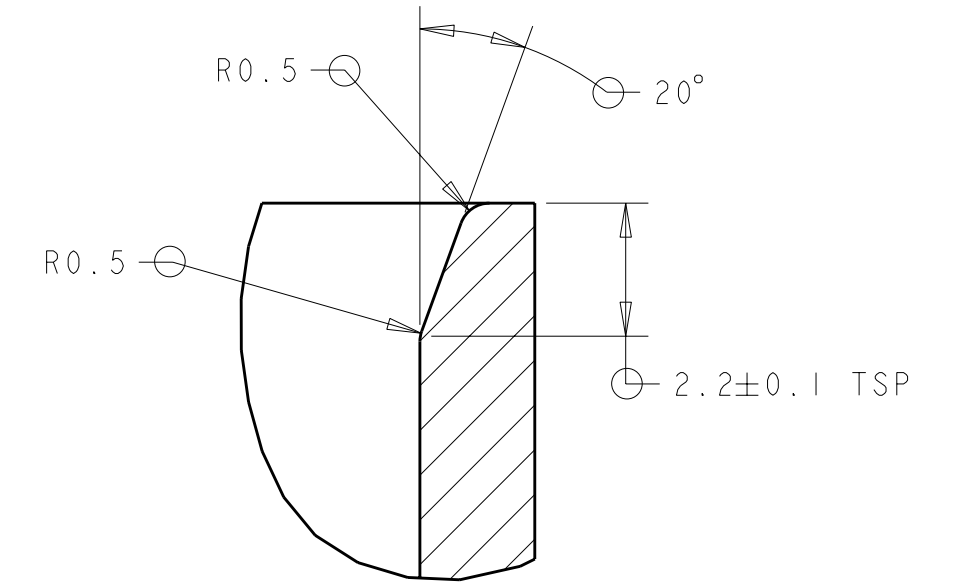
DETAIL G  
SCALE 6:1  
2 PLC



SECTION A-A



SECTION B-B



DETAIL E  
SCALE 8:1

DIMENSIONS: mm 		TOLERANCES UNLESS OTHERWISE SPECIFIED: 9 PLC ± 1 PLC ±0.3 3 PLC ±0.10 4 PLC ± ANGLES ±1°		DWN B. CRISAMORE 21 JUL 2004 CHK M. HITCHCOCK 21 JUL 2004 APVD C. MARTIN 21 JUL 2004 NAME PRODUCT SPEC APPLICATION SPEC WEIGHT CUSTOMER DRAWING		Tyco Electronics Harrisburg, PA 17105-3608 NAME PCMC 50-WAY HARNESS ASSEMBLY KEY C SIZE CAGE CODE DRAWING NO A1 00779 C=1438693 RESTRICTED TO	
MATERIAL FINISH		SCALE 2:1 SHEET 2 OF 4 REV ALL		Tyco Electronics logo		Tyco Electronics logo	

LOC DIST P LTR REVISIONS DESCRIPTION DATE DWN APVD  
FX 00 - SEE SHEET 1

Main grid table for pin-out chart with columns for pin numbers (48-1) and rows for terminal locations (A-H). Includes a large diagonal label 'KEYING OPTION C'.

Summary table for terminal hole position and assembly part numbers.

PIN-OUT CHART

Technical specifications and drawing metadata including Tyco Electronics logo, dimensions (mm), tolerances (PLC, ANGLES, FINISH), material, and drawing info (DATE, DRAWING NO, SHEET OF 4).

LOC	DIST	REV	DATE	BY	APPV
FX	00				

KEYING OPTION C	48		47		46		45		44		43		39		38		37		36		35		33		32		31		30		29		26		22		21		20		19		18		14		13		12		10		9		6		5		1	
		48	47	46	45	44	43	39	38	37	36	35	33	32	31	30	29	26	22	21	20	19	18	14	13	12	10	9	6	5	1	4-1438693-6																												
	48	47	46	45	44	43	39	38	37	36	35	33	32	31	30	29	26	22	21	20	19	18	14	13	12	10	9	7	6	5	1	4-1438693-5																												
	48	47	46	45	44	43	42	41	39	38	37	36	35	33	32	31	30	29	26	22	21	20	19	18	14	13	12	10	9	8	6	5	4	1	4-1438693-4																									
	48	47	46	45	44	43	42	41	39	38	37	36	35	33	32	31	30	29	26	22	21	20	19	18	14	13	12	10	9	8	7	6	5	4	1	4-1438693-3																								
	48	47	46	45	44	43	42	41	39	38	37	36	35	33	32	31	30	29	28	26	22	21	20	19	18	14	13	12	10	9	8	7	6	5	4	3	1	4-1438693-2																						
	48	47	46	45	44	43	42	41	39	38	37	36	35	33	32	31	30	29	26	22	21	20	19	18	14	13	12	10	9	8	7	6	5	4	3	1	4-1438693-1																							
	49	48	47	46	45	44	43	42	41	39	38	37	36	35	33	32	31	30	29	26	22	21	20	19	18	14	13	12	10	9	8	6	5	4	3	1	4-1438693-0																							
	49	48	47	46	45	44	43	42	41	39	38	37	36	35	33	32	31	30	29	28	26	22	21	20	19	18	14	13	12	10	9	8	6	5	4	3	1	3-1438693-9																						
	48	47	46	45	44	43	42	39	38	37	36	35	33	32	29	28	26	22	21	20	19	18	14	13	12	10	9	8	7	5	4	3	1	3-1438693-8																										
	48	47	46	45	44	43	42	39	38	37	36	35	33	32	29	28	26	25	24	23	22	21	20	19	18	14	13	12	10	9	8	7	5	4	3	1	3-1438693-7																							
CAVITIES WITH A NUMERIC SYMBOL INDICATES CLOSED TERMINAL LOCATIONS	48	47	46	45	44	43	42	39	38	37	36	35	33	32	29	28	26	25	24	23	22	21	20	19	18	14	13	12	10	9	8	7	5	4	3	1	3-1438693-6																							
	48	47	46	45	44	43	42	41	39	38	37	36	35	33	32	31	30	29	28	26	25	24	23	22	21	20	19	18	14	13	12	10	9	8	7	5	4	3	1	3-1438693-5																				
BLANK CAVITIES INDICATES OPEN TERMINAL HOLE LOCATIONS	48	46	45	44	42	40	39	38	37	36	35	34	33	32	31	30	29	28	27	26	25	24	23	22	21	20	19	18	15	14	11	9	7	6	5	4	3	1	3-1438693-4																					
	48	45	44	43	42	41	39	38	37	36	35	33	32	31	30	29	28	26	25	24	23	22	21	20	19	18	14	13	12	10	9	8	5	4	3	1	3-1438693-3																							
TERMINAL HOLE POSITION	50	49	48	47	46	45	44	43	42	41	40	39	38	37	36	35	34	33	32	31	30	29	28	27	26	25	24	23	22	21	20	19	18	17	16	15	14	13	12	11	10	9	8	7	6	5	4	3	2	1	ASSEMBLY PART NUMBER									

PIN-OUT CHART

DIMENSIONS: mm 		TOLERANCES UNLESS OTHERWISE SPECIFIED: 0 PLC ± 1 PLC ±0.3 2 PLC ±0.10 3 PLC ± 4 PLC ± ANGLES ± FINISH		DWN B. CRISAMORE 21 JUL 2004 CHK M. HITCHCOCK 21 JUL 2004 APVD C. MARTIN 21 JUL 2004		Tyco Electronics Harrisburg, PA 17105-3608	
MATERIAL: - FINISH: -		WEIGHT: -		NAME: PCM PRODUCT SPEC: 50-WAY HARNESS ASSEMBLY APPLICATION SPEC: KEY C		SIZE: A   CAGE CODE: 00779   DRAWING NO: 1438693 RESTRICTED TO: -	
CUSTOMER DRAWING				SCALE: 2:1		SHEET: 4 OF 4	

## X-ON Electronics

Largest Supplier of Electrical and Electronic Components

*Click to view similar products for [Automotive Connectors](#) category:*

*Click to view products by [TE Connectivity](#) manufacturer:*

Other Similar products are found below :

[003-018-000](#) [600858](#) [60403001](#) [60993906-B](#) [60993913-B](#) [629515004020001](#) [M902-2131](#) [M902-2161](#) [M902-2344](#) [72.330.1035.1](#)  
[73.353.4028.0](#) [F118010](#) [F119300-B](#) [F132210](#) [F132210-B](#) [F166900](#) [F180100](#) [F258300](#) [F258300-B](#) [F294300-B](#) [F339100](#) [F339700](#) [F358300-](#)  
[B](#) [F374110](#) [F407400](#) [F412210](#) [F427600](#) [F444110](#) [F487000](#) [F495100-B](#) [F500900-B](#) [F509500B-B](#) [770444-1](#) [776880-1](#) [827153-1](#) [881735-1](#)  
[8N1515-32-24P](#) [9-1326727-8](#) [9-1326729-8](#) [925467-1](#) [925474-1](#) [928905-1](#) [936398-2](#) [964562-1](#) [964562-4](#) [964731-2](#) [965051-1](#) [968782-1](#)  
[GT17SA-8DS-HU](#) [GT17VS-10DP-5.2CF](#)