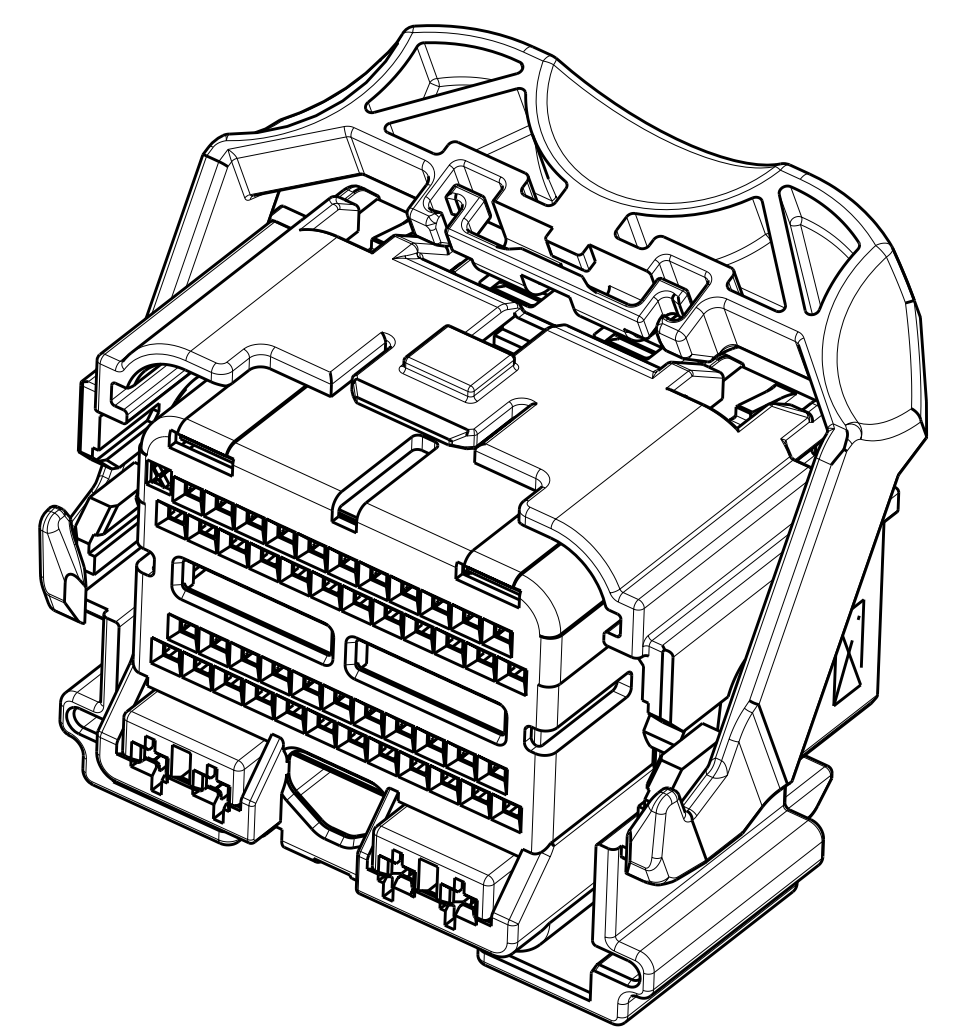
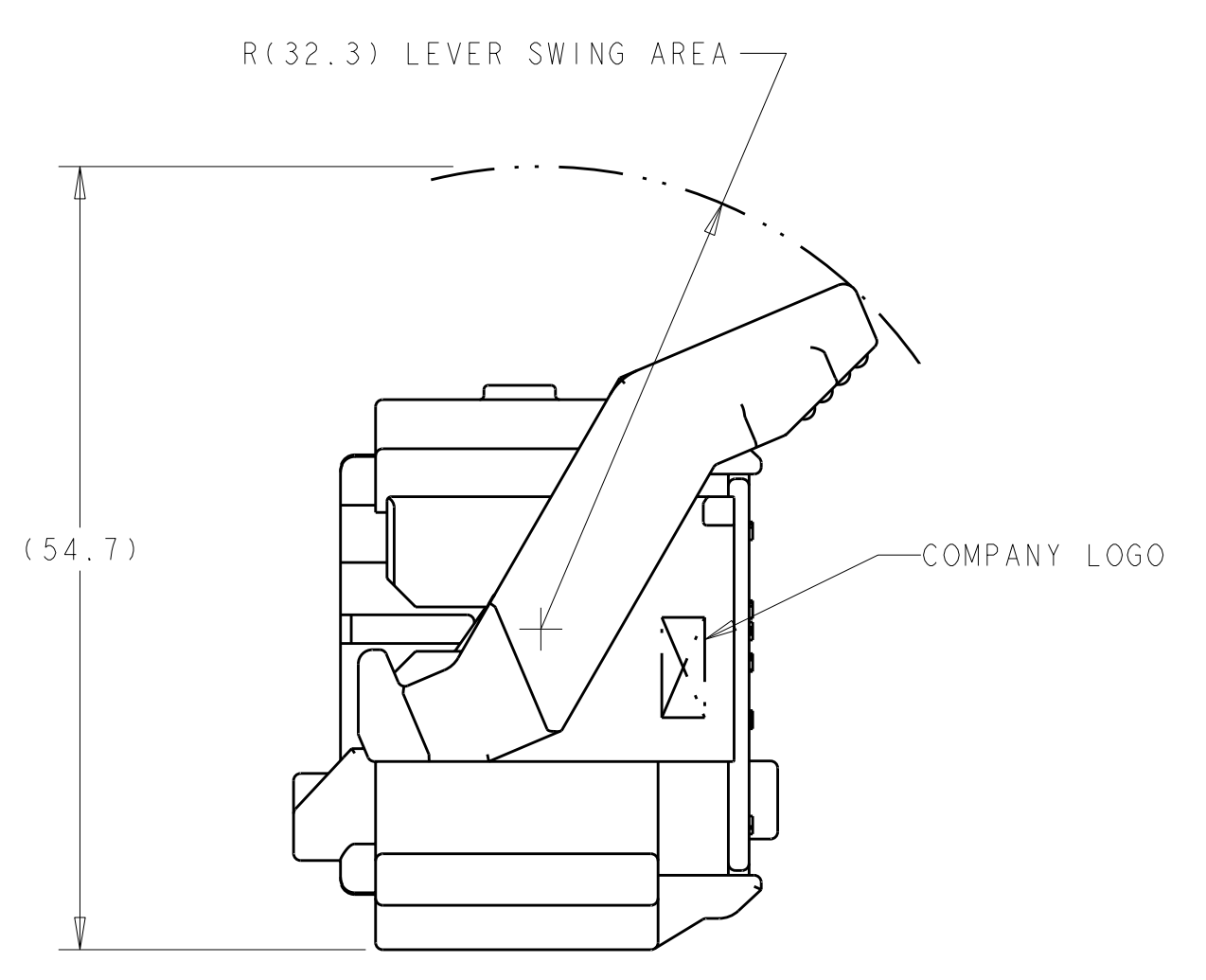
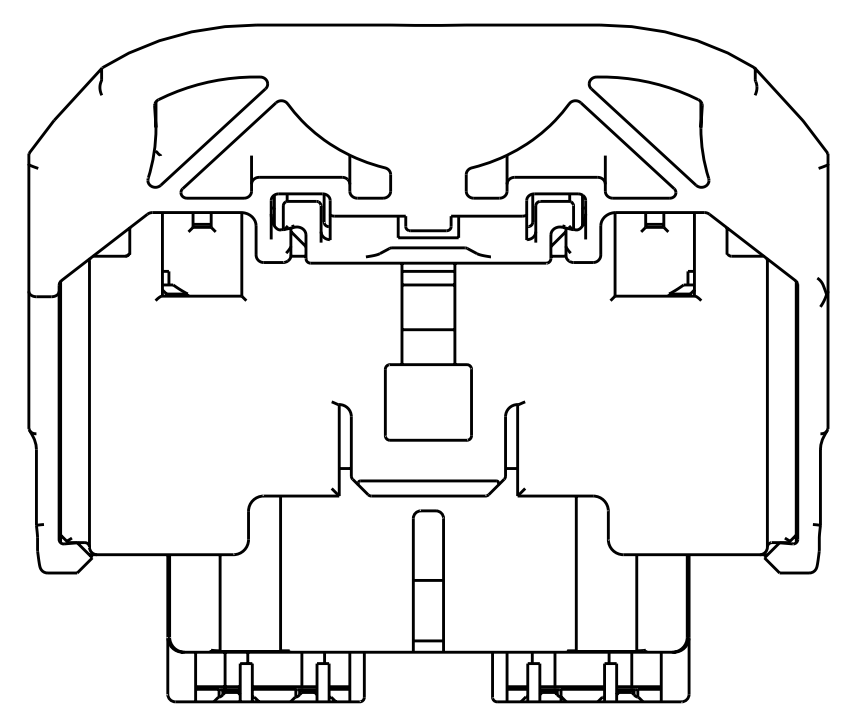


LOC	DIST	REV	DATE	BY	APPD
FX	00	A11	22NOV2010	DLD	DCM

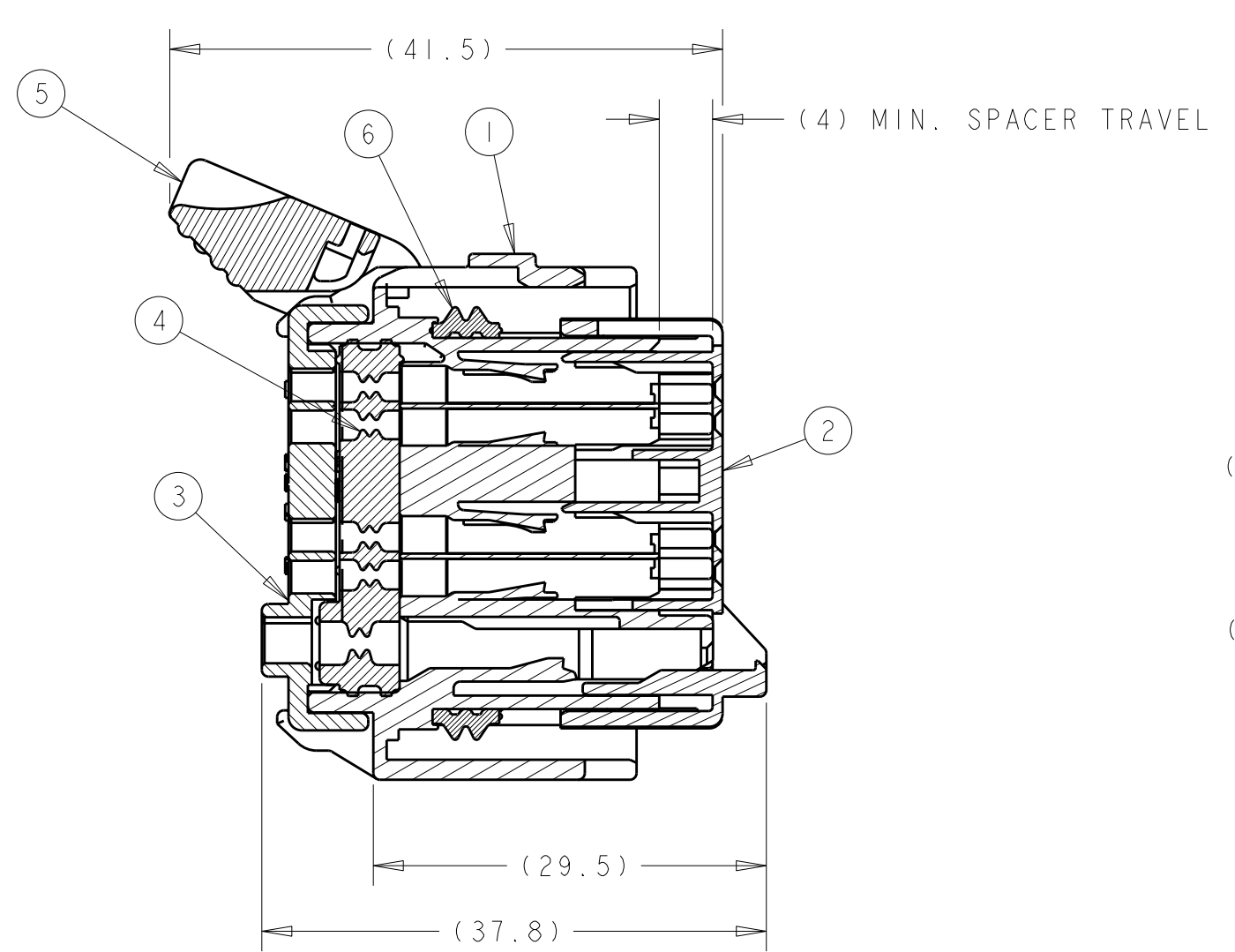


PART NUMBER:
1438693-1
SHOWN WITH SPACER
IN SEATED POSITION
SCALE 2:1

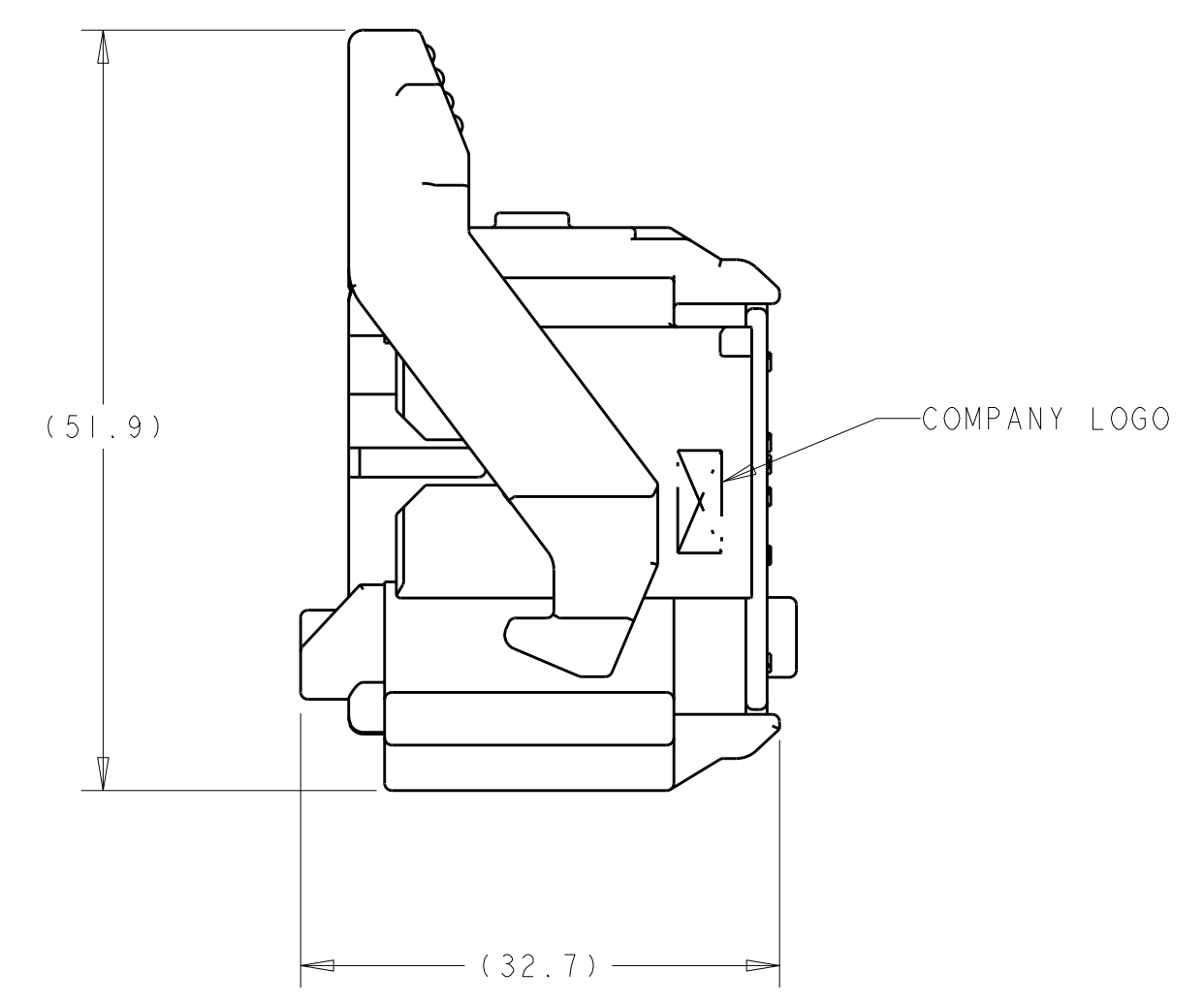
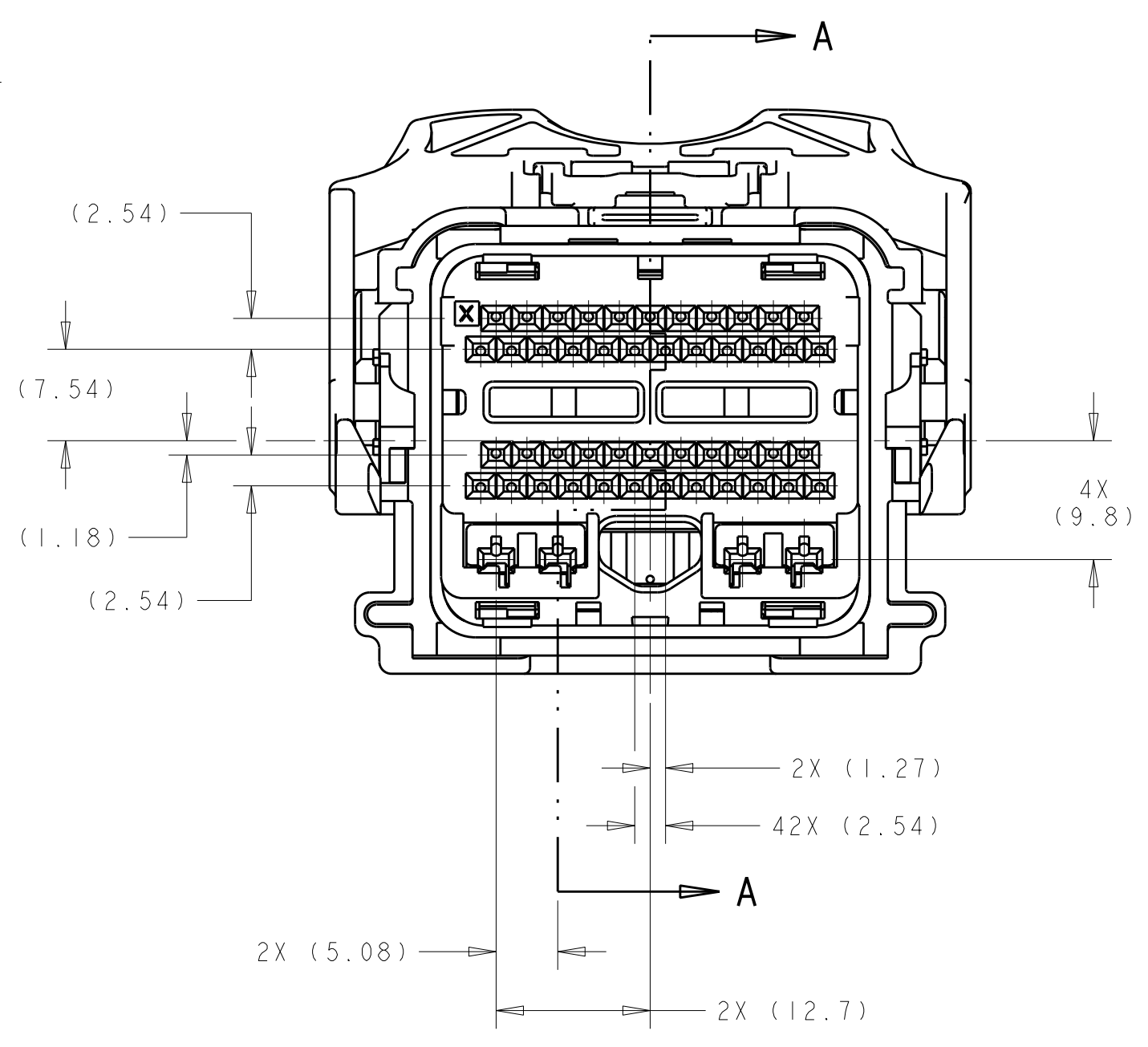


SHOWN WITH SPACER IN SEATED POSITION

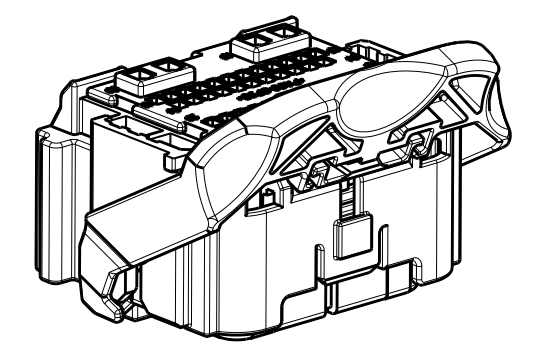
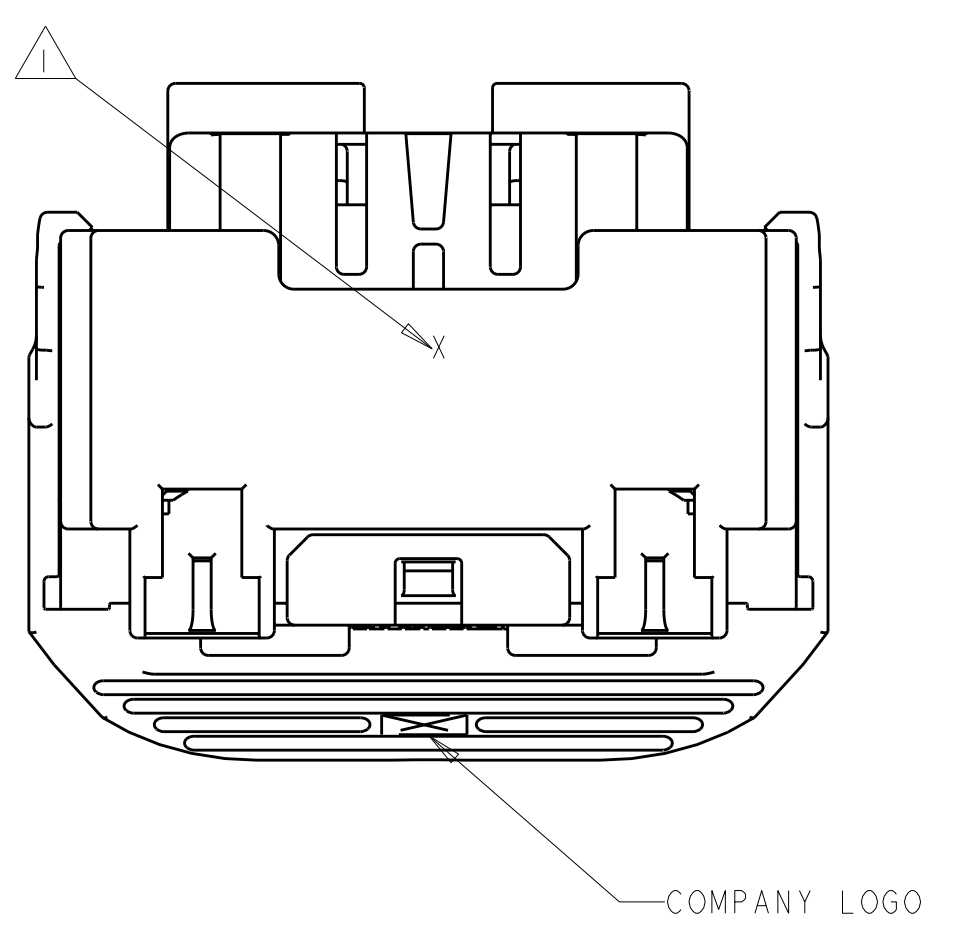
- 1. PRINT TYCO ELECTRONICS PART NUMBER AND TRACEABILITY (YY : 2 DIGIT YEAR, JJJ = JULIAN DATE, HH = 2 DIGIT MILITARY HOUR CODE) IN THE LOCATION AT ASSEMBLY.
- 2. OPTIONAL WIRE SHIELD PART NUMBERS (SOLD SEPARATELY) 1438126, 1438180, 1488373, AND 1488572. CONTACT TYCO ELECTRONICS ENGINEER FOR MINIMUM FEED THRU CONDITION.
- 3. APPLICABLE TERMINAL PART NUMBERS (SOLD SEPARATELY) FOR TIN APPLICATIONS: 1393367 AND 1393366. FOR GOLD APPLICATIONS: 1393365 AND 1393364. FOR TERMINATION AND REELING OPTIONS SEE DRAWINGS 1393367, 1393366, 1393365, AND 1393364.
- 4. APPLICABLE MOLEX (1.5) POWER TERMINAL PART NUMBERS: 33012-0002 TIN 0.50-1.50mm²
- 5. CAM LEVER AND SPACER ARE SHIPPED IN THEIR PRE-ASSEMBLED POSITIONS.



SECTION A-A
SPACER AND LEVER IN
PRE-SEATED POSITION
(DELIVERY CONDITION)



SHOWN WITH CAM
LEVER AND SPACER
IN LOADED POSITION



SCALE 1:1

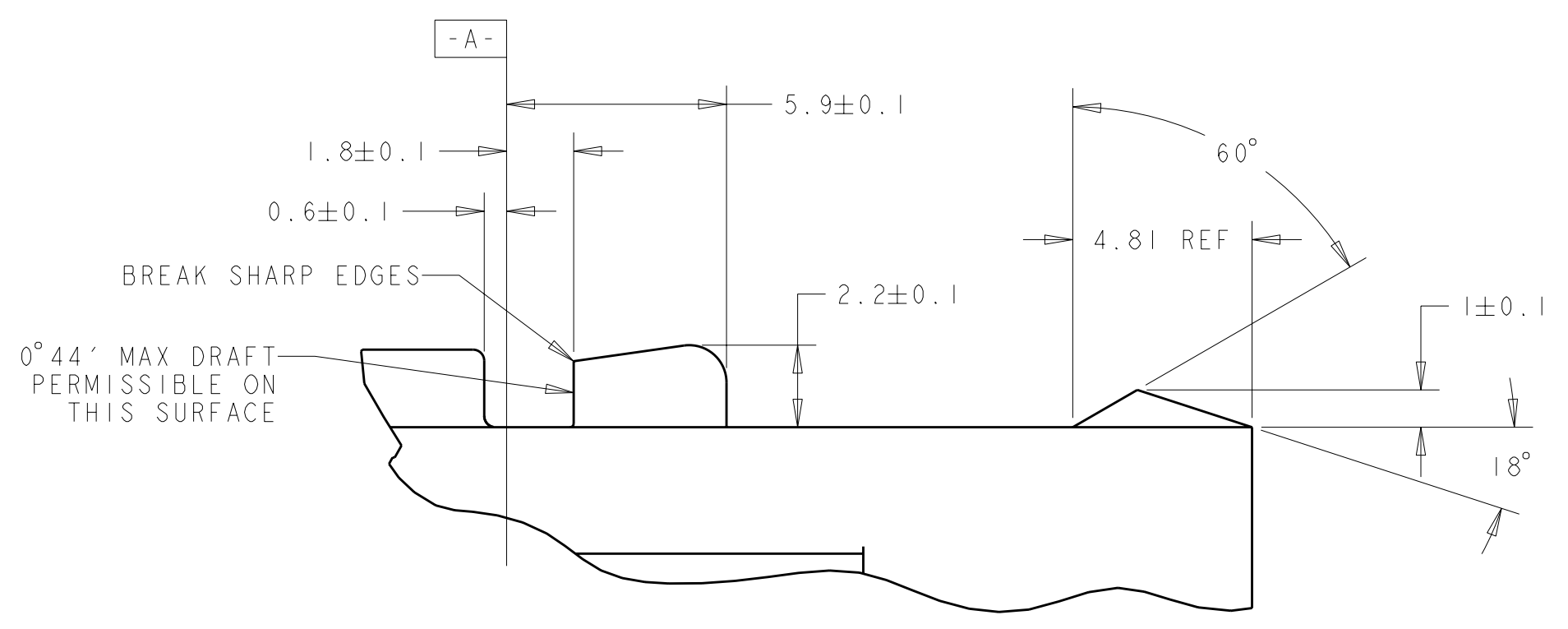
PART COLOR	DESCRIPTION	ITEM NO.
GREEN	PERIMETER SEAL	6
GRAY	LEVER	5
BROWN	GROMMET SEAL	4
BLACK	COVER	3
NATURAL	SPACER	2
BLACK	HARNESS, KEY "C"	1

DIMENSIONS: mm 		TOLERANCES UNLESS OTHERWISE SPECIFIED: 9 PLC ± 1 PLC ±0.3 2 PLC ±0.10 3 PLC ± 4 PLC ± ANGLES ±1° FINISH		DWN B. CRISAMORE 21 JUL 2004 CHK M. HITCHCOCK 21 JUL 2004 APVD C. MARTIN 21 JUL 2004 NAME PRODUCT SPEC APPLICATION SPEC WEIGHT CUSTOMER DRAWING		Tyco Electronics Harrisburg, PA 17105-3608 NAME PCMC 50-WAY HARNESS ASSEMBLY KEY C SIZE CAGE CODE DRAWING NO A11 00779 C=1438693 SCALE 2:1 SHEET 1 OF 4 REV ALL	
-----------------------	--	--	--	--	--	---	--

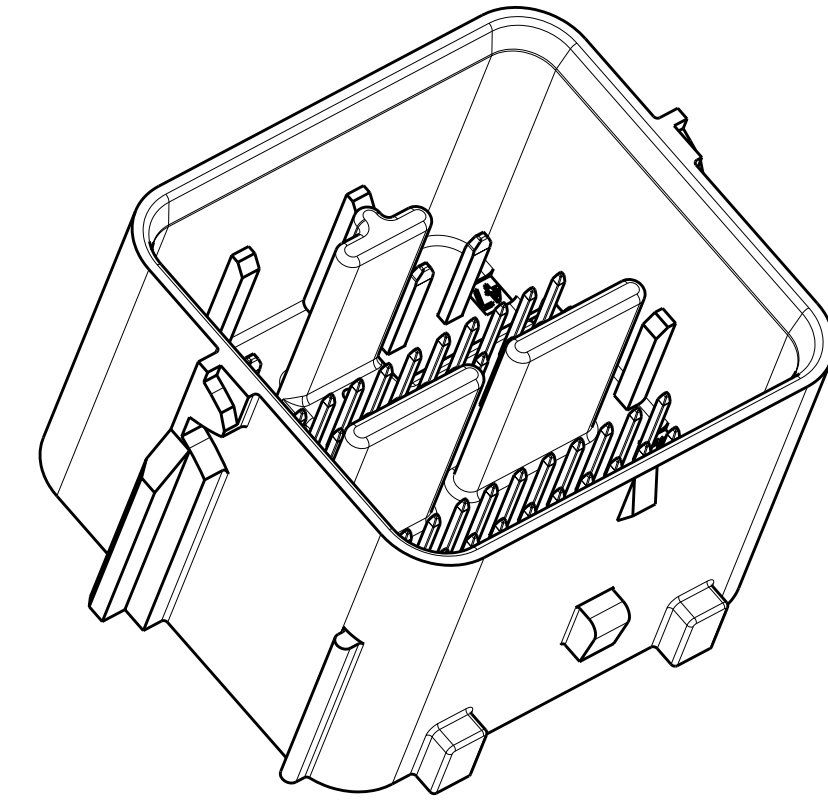
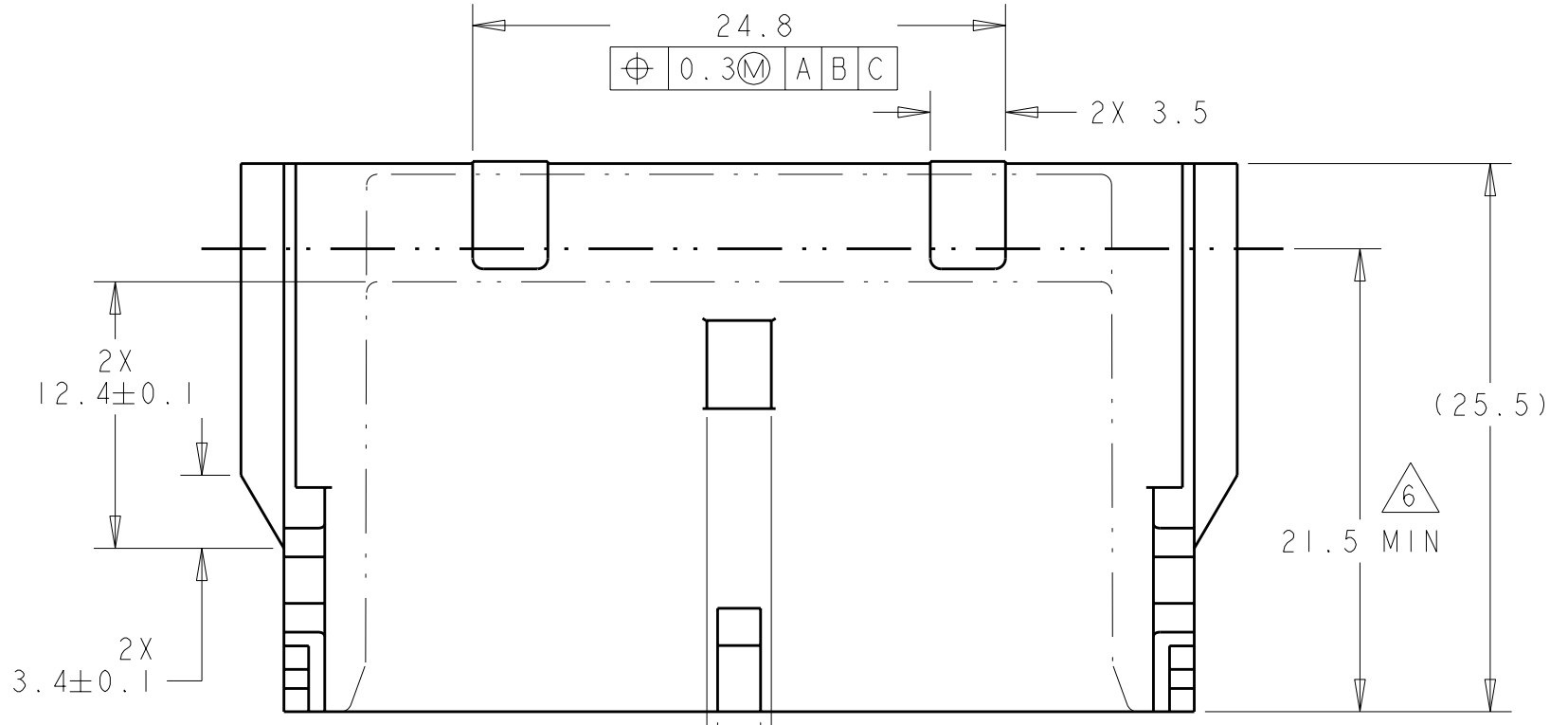
APPLICABLE HEADER INTERFACE SPECIFICATION

SHOWN WITHOUT KEYING OPTIONS

LOC	DIST	REVISIONS			
P	LTN	DESCRIPTION	DATE	DWN	APVD
FX	00	SEE SHEET 1			

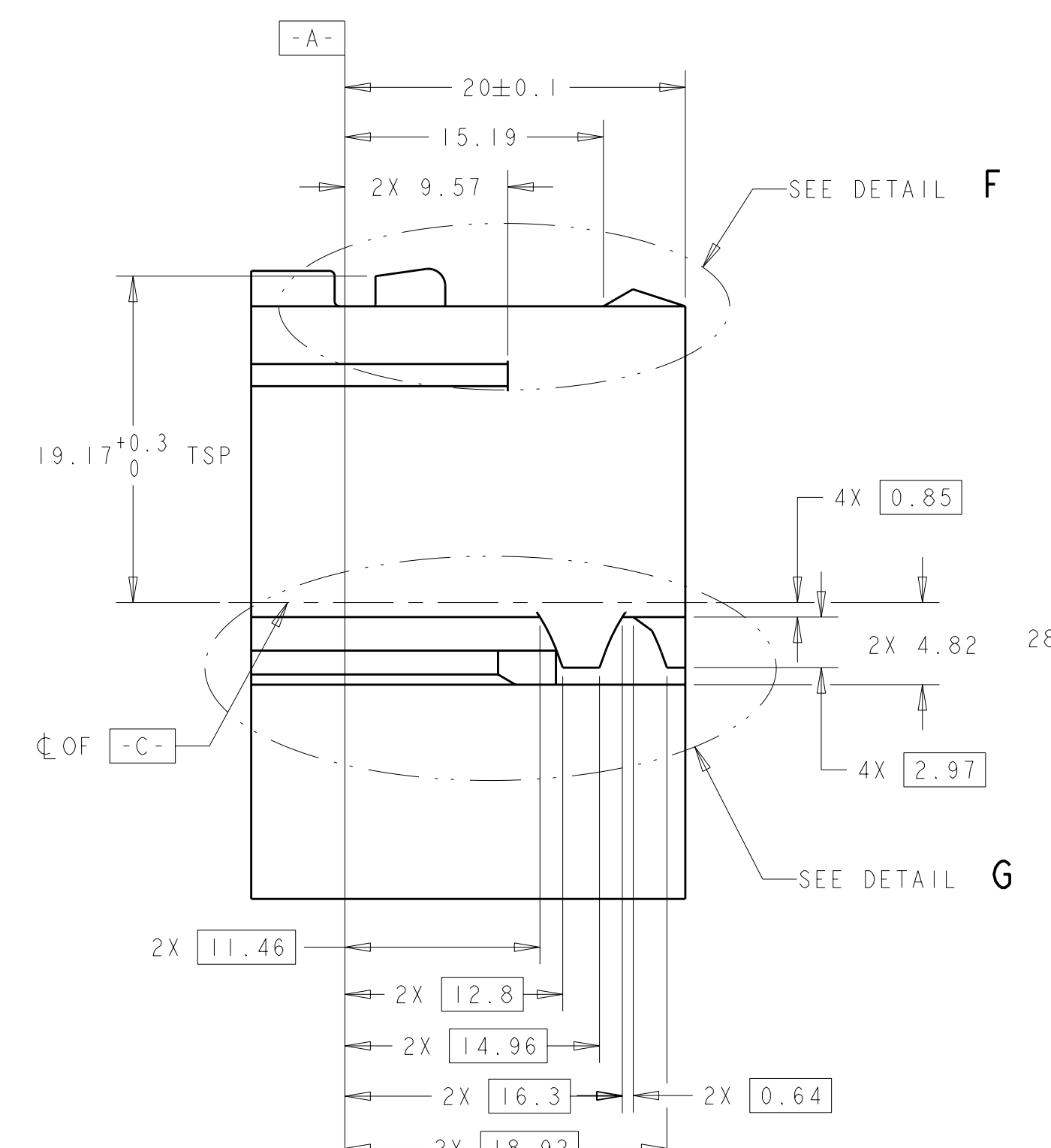


DETAIL F
SCALE 6:1

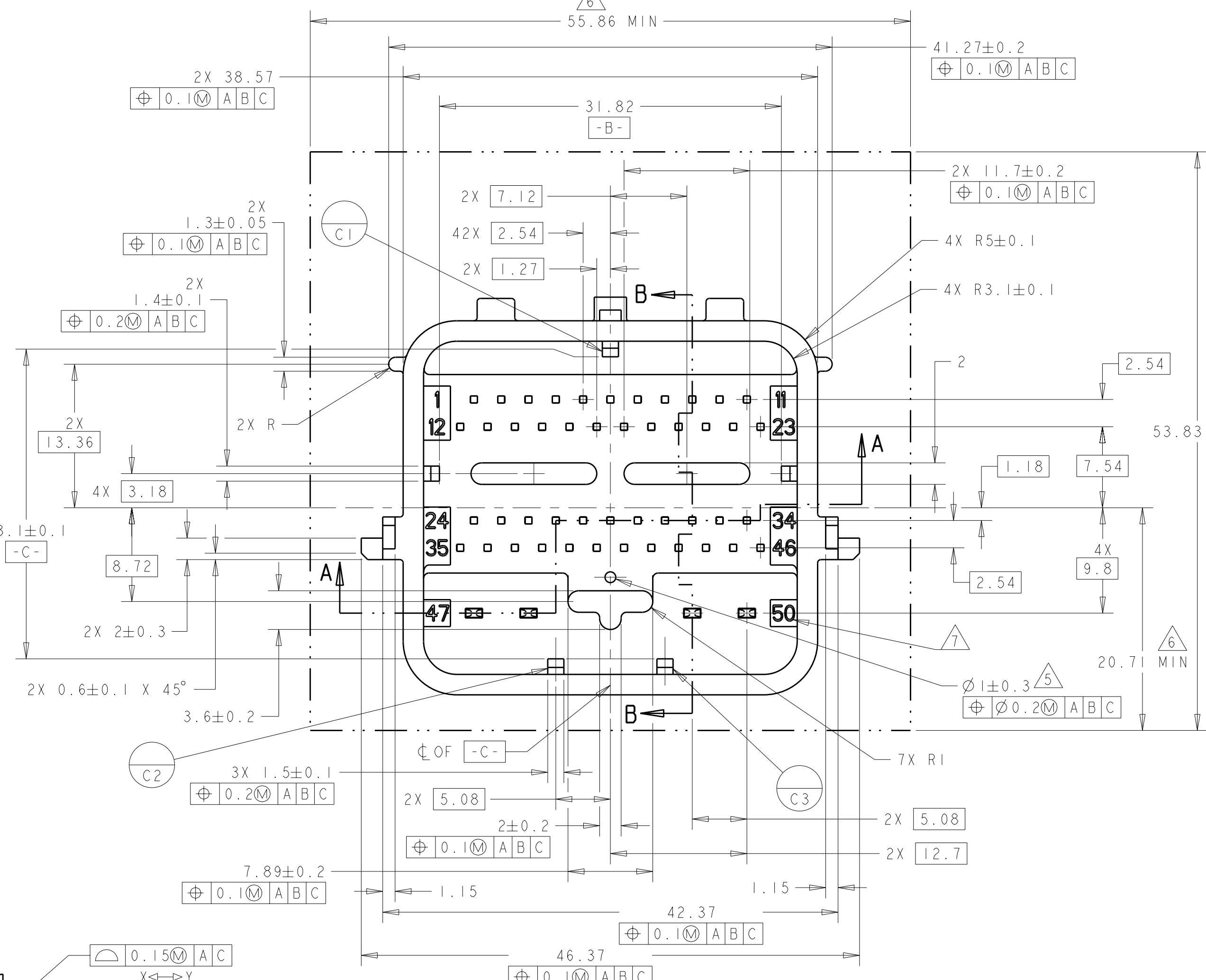


SCALE 2:1

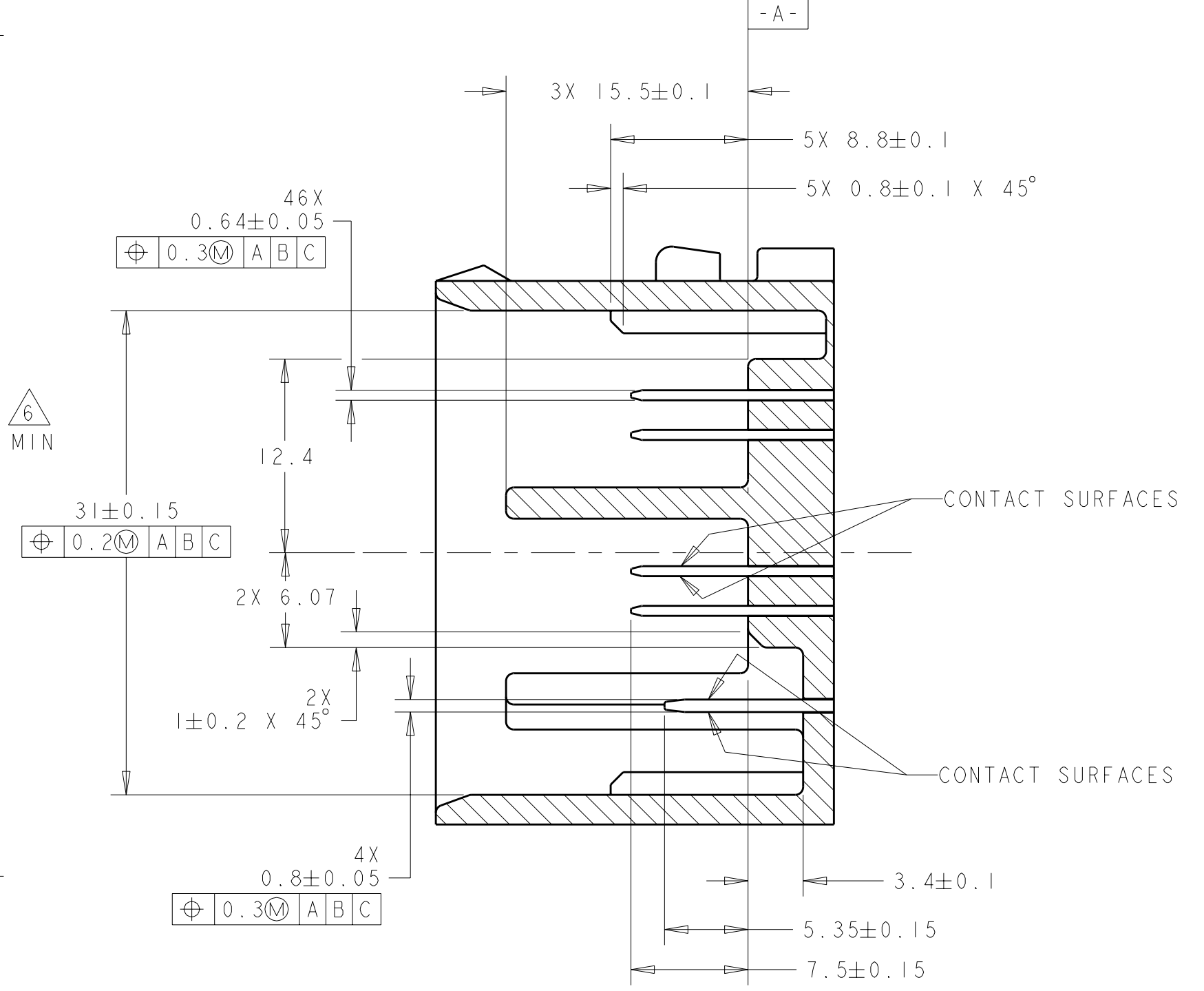
- NOTES: UNLESS OTHERWISE SPECIFIED
1. GENERAL TOLERANCE:
 ±0.3 ALL ONE PLACE DIMENSIONS
 ±0.10 ALL TWO PLACE DIMENSIONS
 ±1°00" ALL ANGULAR DIMENSIONS
 2. DRAFT ANGLE PERMISSIBLE ONLY WITHIN DRAWING TOLERANCE.
 3. SEALING SURFACE, NO WITNESS LINES OR DAMAGE PERMITTED.
 4. ALL UNMARKED RADII TO BE 0.5 MAX., UNLESS OTHERWISE SPECIFIED.
 5. VENT HOLE SIZE AND LOCATION IS OPTIONAL.
 6. THIS AREA TO REMAIN CLEAR FOR THE HARNESS ASSEMBLY.
 7. TERMINAL POSITION IDENTIFICATION.



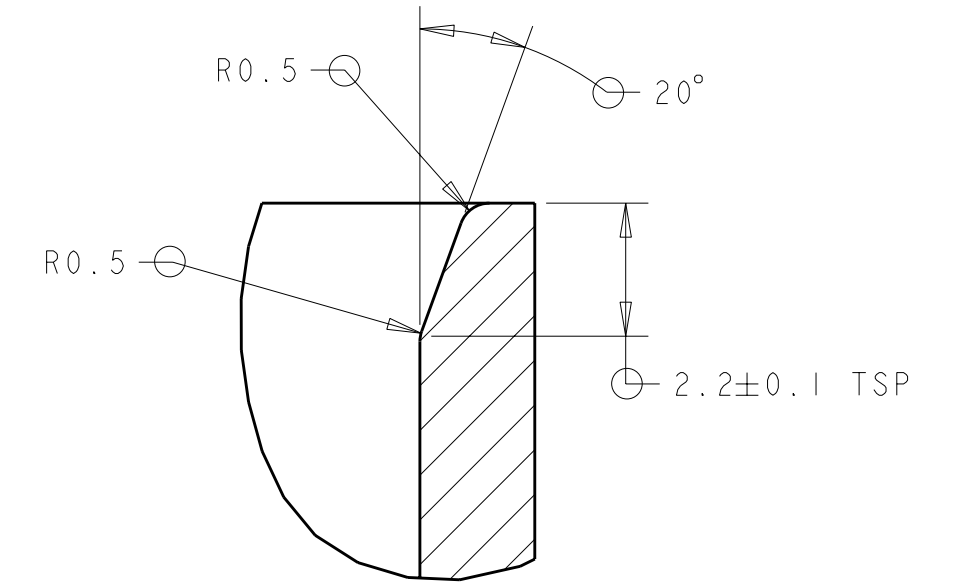
DETAIL G
SCALE 6:1
2 PLC



SECTION A-A



SECTION B-B



DETAIL E
SCALE 8:1

DIMENSIONS:		TOLERANCES UNLESS OTHERWISE SPECIFIED:		DWN B. CRISAMORE 21 JUL 2004		Tyco Electronics Harrisburg, PA 17105-3608
mm		0 PLC ± 1 PLC ±0.3 2 PLC ±0.10 3 PLC ± 4 PLC ± ANGLES ±		CHK M. HITCHCOCK 21 JUL 2004		
MATERIAL:		FINISH:		APVD C. MARTIN 21 JUL 2004		NAME PCM 50-WAY HARNESS ASSEMBLY KEY C
-		-		WEIGHT		SIZE CAGE CODE DRAWING NO A1 00779 C=1438693
-		-		CUSTOMER DRAWING		RESTRICTED TO SCALE 2:1 SHEET 2 OF 4 REV ALL

REVISES		REVISIONS			
REV	DESCRIPTION	DATE	DWN	APVD	
1	SEE SHEET 1	-	-	-	

KEYING OPTION C	48 47 46 45 44 43	39 38 37 36 35	33 32 31 30 29	26	22 21 20 19 18	14 13 12	10 9	6 5	1	4-1438693-6			
	48 47 46 45 44 43	39 38 37 36 35	33 32 31 30 29	26	22 21 20 19 18	14 13 12	9	7 6 5	1	4-1438693-5			
	48 47 46 45 44 43 42 41	39 38 37 36 35	33 32 31 30 29	26	22 21 20 19 18	14 13 12	10 9 8	6 5 4	1	4-1438693-4			
	48 47 46 45 44 43 42 41	39 38 37 36 35	33 32 31 30 29	26	22 21 20 19 18	14 13 12	9 8 7 6 5 4	3	1	4-1438693-3			
	48 47 46 45 44 43 42 41	39 38 37 36 35	33 32 31 30 29	28 26	22 21 20 19 18	14 13 12	9 8 7 6 5 4 3	1	1	4-1438693-2			
	48 47 46 45 44 43 42 41	39 38 37 36 35	33 32 31 30 29	26	22 21 20 19 18	14 13 12	9 8 7 6 5 4 3	1	1	4-1438693-1			
	49 48 47 46 45 44 43 42 41	39 38 37 36 35	33 32 31 30 29	26	22 21 20 19 18	14 13 12	10 9 8	6 5 4 3	1	4-1438693-0			
	49 48 47 46 45 44 43 42 41	39 38 37 36 35	33 32 31 30 29	28 26	22 21 20 19 18	14 13 12	10 9 8	6 5 4 3	1	3-1438693-9			
	48 47 46 45 44 43 42	39 38 37 36 35	33 32	29 28 26	22 21 20 19 18	14 13 12	10 9 8 7	5 4 3	1	3-1438693-8			
	48 47 46 45 44 43 42	39 38 37 36 35	33 32	29 28 26 25 24 23	22 21 20 19 18	14 13 12	10 9 8 7	5 4 3	1	3-1438693-7			
CAVITIES WITH A NUMERIC SYMBOL INDICATES CLOSED TERMINAL LOCATIONS	48 47 46 45 44 43 42	39 38 37 36 35	33 32	29 28 26 25 24 23	22 21 20 19 18	14 13 12	9 8 7	5 4 3	1	3-1438693-6			
	48 47 46 45 44 43 42 41	39 38 37 36 35	33 32 31 30 29 28	26 25 24 23	22 21 20 19 18	14 13 12	10 9 8 7	5 4 3	1	3-1438693-5			
BLANK CAVITIES INDICATES OPEN TERMINAL HOLE LOCATIONS	48	46 45 44	42	40 39 38 37 36 35 34	33 32 31 30 29 28 27	26 25 24 23	21 20 19 18	15 14	11	9	7 6 5 4 3	1	3-1438693-4
	48	46 45 44	43 42 41	39 38 37 36 35	33 32 31 30 29 28	26 25 24 23	22 21 20 19 18	14 13 12	10 9 8	5 4 3	1	3-1438693-3	
TERMINAL HOLE POSITION	50 49 48 47 46 45 44 43 42 41 40	39 38 37 36 35 34	33 32 31 30 29 28 27	26 25 24 23	22 21 20 19 18	17 16 15 14 13 12 11 10 9 8 7 6 5 4 3 2 1	ASSEMBLY PART NUMBER						

PIN-OUT CHART

<small>THIS DRAWING IS TO BE USED ONLY WITH THE TYCO ELECTRONICS CORPORATION PRODUCT SPECIFICATION. IT IS SUBJECT TO CHANGE WITHOUT NOTICE AND WITHOUT LIABILITY TO THE USER.</small>		DWN B. CRISAMORE 21 JUL 2004	Tyco Electronics Harrisburg, PA 17105-3608	
DIMENSIONS: mm 		CHK M. HITCHCOCK 21 JUL 2004	NAME PCM 50-WAY HARNESS ASSEMBLY KEY C	
TOLERANCES UNLESS OTHERWISE SPECIFIED: 0 PLC ±. 1 PLC ±0.3 2 PLC ±0.10 3 PLC ±. 4 PLC ±. ANGLES ±. FINISH ±.		APVD C. MARTIN 21 JUL 2004	PRODUCT SPEC APPLICATION SPEC WEIGHT SCALE 2:1 SHEET 4 OF 4 REV A	
MATERIAL: -		CUSTOMER DRAWING		

X-ON Electronics

Largest Supplier of Electrical and Electronic Components

Click to view similar products for [Automotive Connectors](#) category:

Click to view products by [TE Connectivity](#) manufacturer:

Other Similar products are found below :

[003-018-000](#) [600858](#) [60403001](#) [60993906-B](#) [60993913-B](#) [629515004020001](#) [M902-2131](#) [M902-2161](#) [M902-2344](#) [72.330.1035.1](#)
[73.353.4028.0](#) [F118010](#) [F119300-B](#) [F132210](#) [F132210-B](#) [F166900](#) [F180100](#) [F258300](#) [F258300-B](#) [F294300-B](#) [F339100](#) [F339700](#) [F358300-](#)
[B](#) [F374110](#) [F407400](#) [F412210](#) [F427600](#) [F444110](#) [F487000](#) [F495100-B](#) [F500900-B](#) [F509500B-B](#) [770444-1](#) [776880-1](#) [827153-1](#) [881735-1](#)
[8N1515-32-24P](#) [9-1326727-8](#) [9-1326729-8](#) [925467-1](#) [925474-1](#) [928905-1](#) [936398-2](#) [964562-1](#) [964562-4](#) [964731-2](#) [965051-1](#) [968782-1](#)
[GT17SA-8DS-HU](#) [GT17VS-10DP-5.2CF](#)