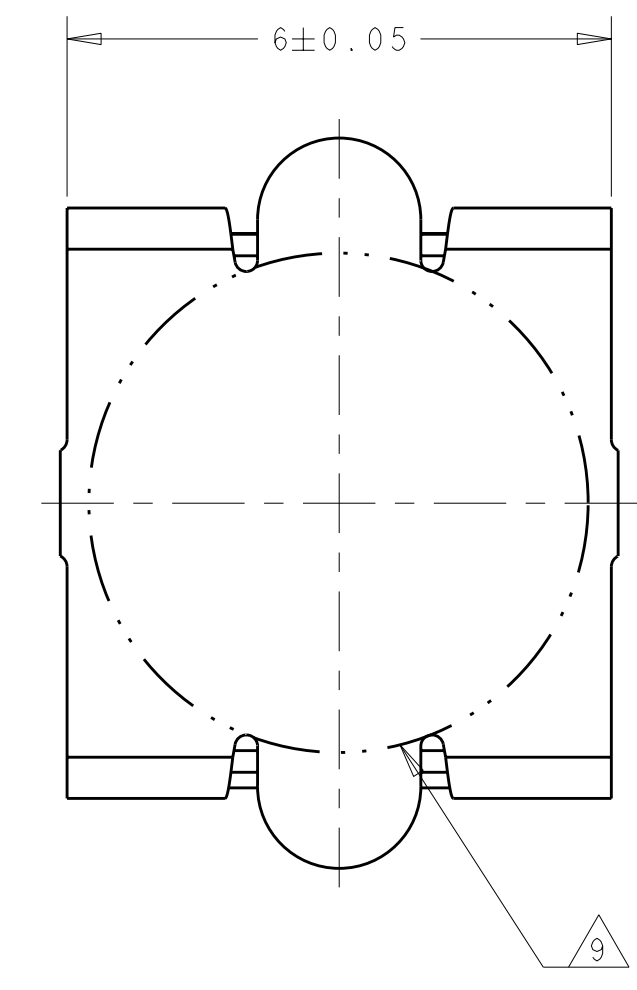
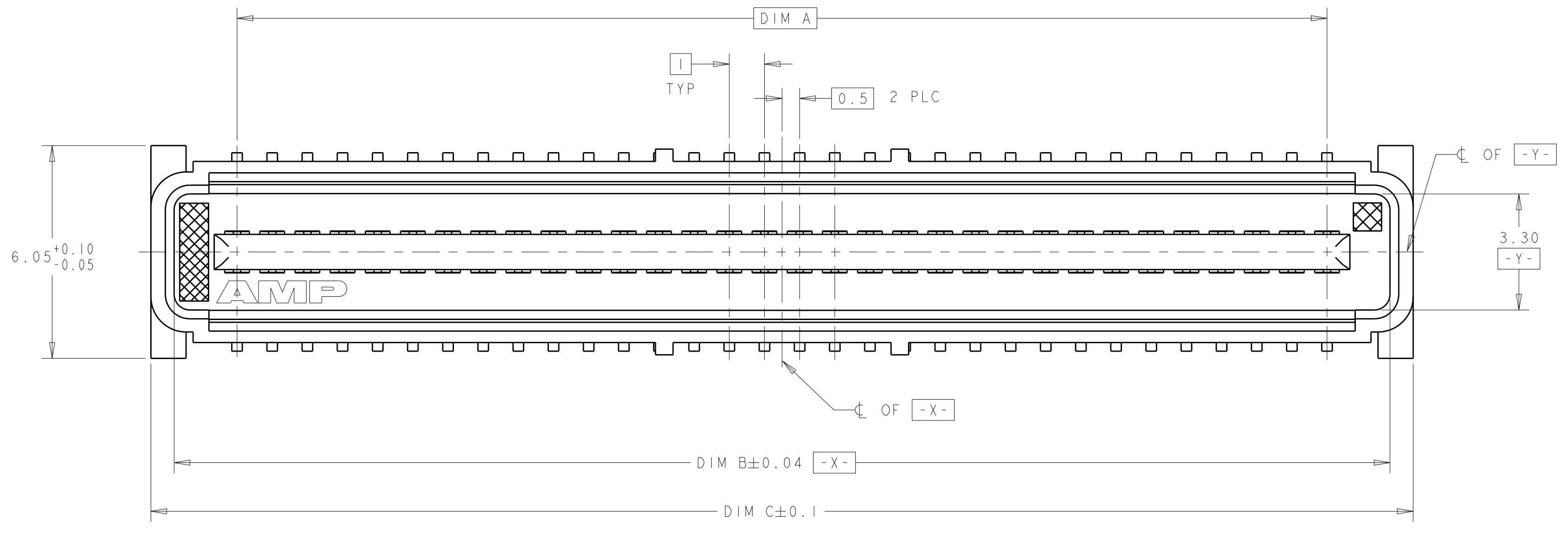


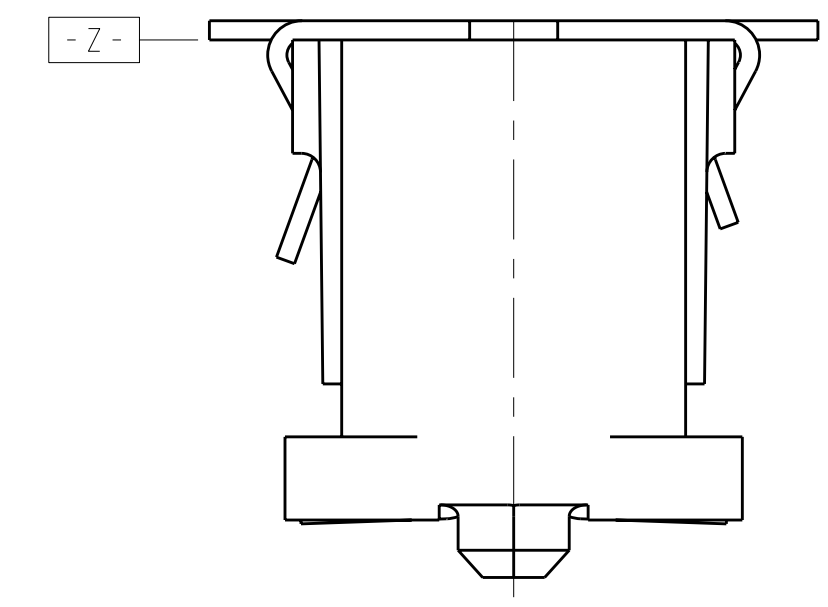
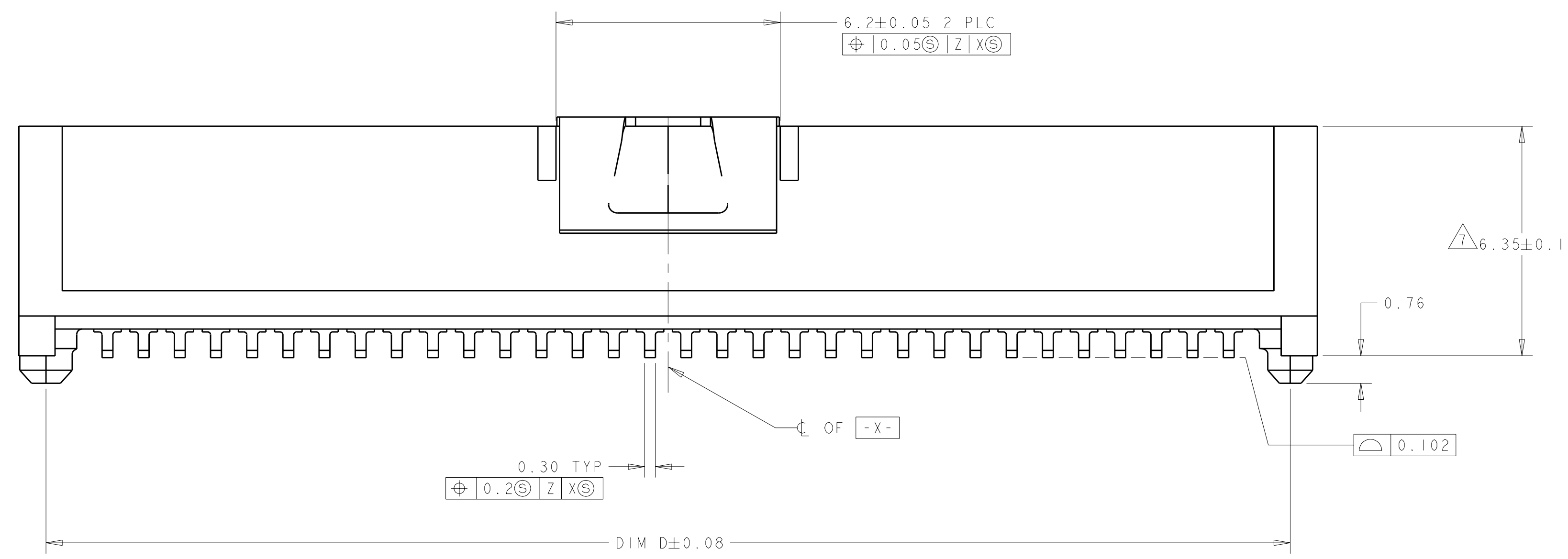
LOC	DIST	REV	DATE	BY	CHK	APPD
AD	00					

REV	DATE	BY	CHK	APPD
C	11FEB2004	RWS	RHW	
D	06FEB2007	BC	DB	
E	10JUL2008	DH	DB	
E1	26AUG2009	AEG	DD	

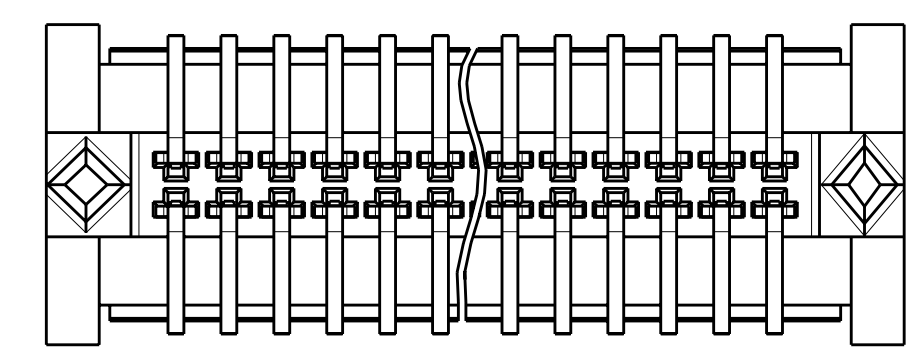


VACUUM COVER

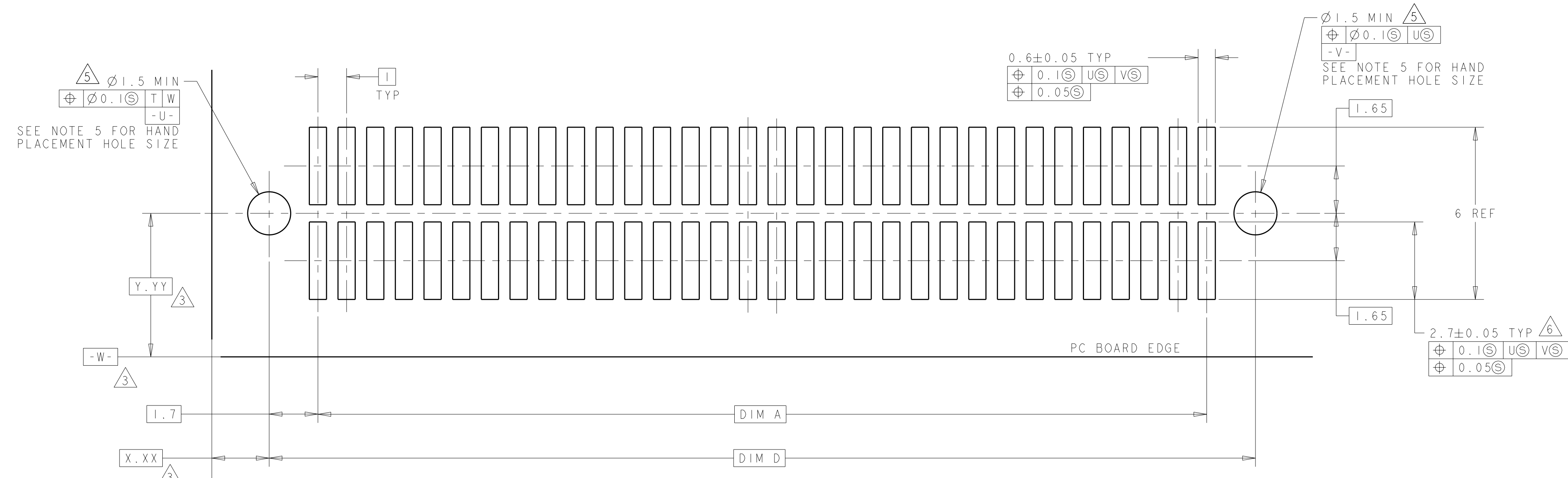
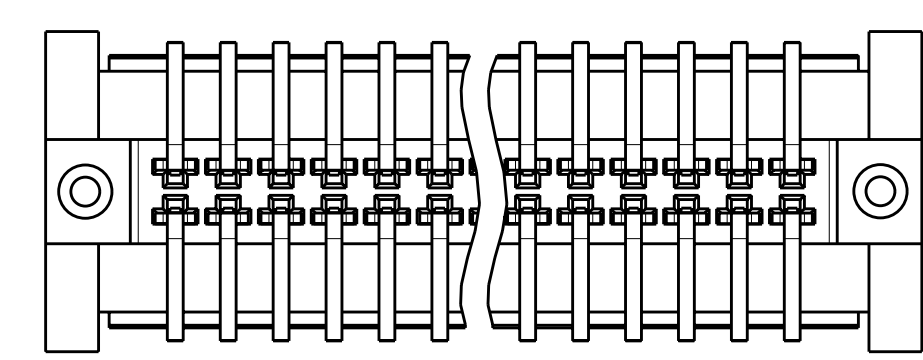
- 1 HOUSING MATERIAL: LIQUID CRYSTAL POLYMER COLOR: BLACK. CONTACT MATERIAL: PHOSPHOR BRONZE.
- 2 CONTACT FINISH: NICKEL UNDERPLATE ALL OVER, MATING SURFACES PLATED TO MEET PLI PERFORMANCE REQUIREMENTS OF INDUSTRY SPECIFICATION EIA-700AAAB, SOLDER TAILS PLATED TIN-LEAD.
- 3 DATUM LOCATIONS AND BASIC DIMENSIONS TO BE ESTABLISHED BY THE CUSTOMER. CONSULT AMP ENGINEERING WHEN PLACING MULTIPLE CONNECTORS ON A PC BOARD.
- 4 PACKAGED IN TAPE ON REELS PER EIA-481.
- 5 1.4±0.05 DIAMETER HOLE WHEN PLACING BY HAND.
- 6 SHORTER SOLDER LANDS MAY BE USED PER EIA 700AAAB, HOWEVER 2.7 LENGTH ASSURES OPTIMUM SOLDER FILLET REGARDLESS OF MANUFACTURER OF CONNECTOR.
- 7 REFERRED TO AS DIM N IN EIA 700AAAB SPECIFICATION.
- 8 VACUUM COVER NOT SHOWN IN SOME VIEWS FOR CLARITY.
- 9 5.5 MIN DIAMETER TARGET AREA FOR VACUUM PICK-UP.
- 10 CONTACT FINISH: 0.00381 MINIMUM MATTE TIN-LEAD (93-7) ON SOLDER AREA, 0.00127 MINIMUM GOLD ON MATING AREA, BOTH OVER 0.00127 MINIMUM NICKEL ON ENTIRE CONTACT.
- 11 SQUARE AND DIAMOND SHAPED POSTS.
- 12 ROUND SHAPED POSTS.



STYLE A POST



STYLE B POST



RECOMMENDED PC BOARD LAYOUT

POST STYLE	FINISH	DIM D	DIM C	DIM B	DIM A	STACK HEIGHTS	POS	AMP PART NUMBER
△	△	44.4	45.9	44.58	41	8	84	3-146897-2
△	△	34.4	35.9	34.58	31	8	64	3-146897-1
△	△	44.4	45.9	44.58	41	8	84	2-146897-2
△	△	34.4	35.9	34.58	31	8	64	2-146897-1
△	△	44.4	45.9	44.58	41	8	84	1-146897-2
△	△	34.4	35.9	34.58	31	8	64	1-146897-1
△	△	44.4	45.9	44.58	41	8	84	146897-2
△	△	34.4	35.9	34.58	31	8	64	146897-1

DIMENSIONS: mm 9 PLC ± 5 PLC ±0.03 4 PLC ±0.003 ANGLES ±0°30'		TOLERANCES UNLESS OTHERWISE SPECIFIED: DIM A ±0.04 DIM B ±0.04 DIM C ±0.04 DIM D ±0.08		DWN: DK_SCHURM 28SEP98 CHN: CHAD_BAKER 28SEP98 NAME:		Tyco Electronics Tyco Electronics Corporation Harrisburg, PA 17105-3608	
MATERIAL: SEE TABLE		PRODUCT SPEC: 502-1079 APPLICATION SPEC: 114-25045		PLUG ASSY, W/VACUUM COVER, 1.0mm FH(1EEE 1386) CONNECTOR		SIZE: 00779 CAGE CODE: C=146897	
CUSTOMER DRAWING		WEIGHT:		SCALE: 17:1		SHEET 1 OF 1	

X-ON Electronics

Largest Supplier of Electrical and Electronic Components

Click to view similar products for [Board to Board & Mezzanine Connectors](#) category:

Click to view products by [TE Connectivity](#) manufacturer:

Other Similar products are found below :

[10135583-642402LF](#) [89885-310LF](#) [589158040000018](#) [6-1393048-0](#) [68683-613](#) [MDF7-12DP-2.54DSA](#) [MDF7-18P-2.54DSA\(01\)](#) [MDF7-20DP-2.54DSA](#) [MDF7-26D-2.54DSA\(55\)](#) [MDF7-3P-2.54DSA\(01\)](#) [MDF7B-3P-2.54DSA\(55\)](#) [MDF7C-11P-2.54DSA\(55\)](#) [MDF7C-18P-2.54DSA\(55\)](#) [MDF7C-5P-2.54DSA\(01\)](#) [MDF7P-5P-2.54DSA\(55\)](#) [75234-0516](#) [FCN-230C068-11](#) [FCN-268F012-G/BD](#) [FCN-268F036-G/BD](#) [FCN-268M012-G/0D](#) [FCN-268M024-G/1D](#) [FCN-360C008-C](#) [FCN-360C040-C](#) [FCN-723J004/1](#) [MIS-048-01-F-D-DP-K](#) [832-10-034-10-001000](#) [93696-325LF](#) [11828-1FA](#) [AXK630345P](#) [18097-0013](#) [ICA-328STT](#) [2007042-2](#) [304400-2](#) [FCN-214Q030-G/0](#) [FCN-215Q040-G/0](#) [FCN-230C068-ESA](#) [FCN-234P048-G/0](#) [FCN-235D050-G/C](#) [FCN-360A3](#) [FCN-360C040-B](#) [210-93-314-41-105000](#) [2-22603-0](#) [379-064-521-202](#) [MDF7-12P-2.54DSA\(01\)](#) [MDF7-16P-2.54DS\(56\)](#) [MDF7-40DP-2.54DSA\(55\)](#) [MDF7-8P-2.54DSA\(55\)](#) [MDF7B-16P-2.54DSA\(55\)](#) [AXG720047](#) [5031084030](#)