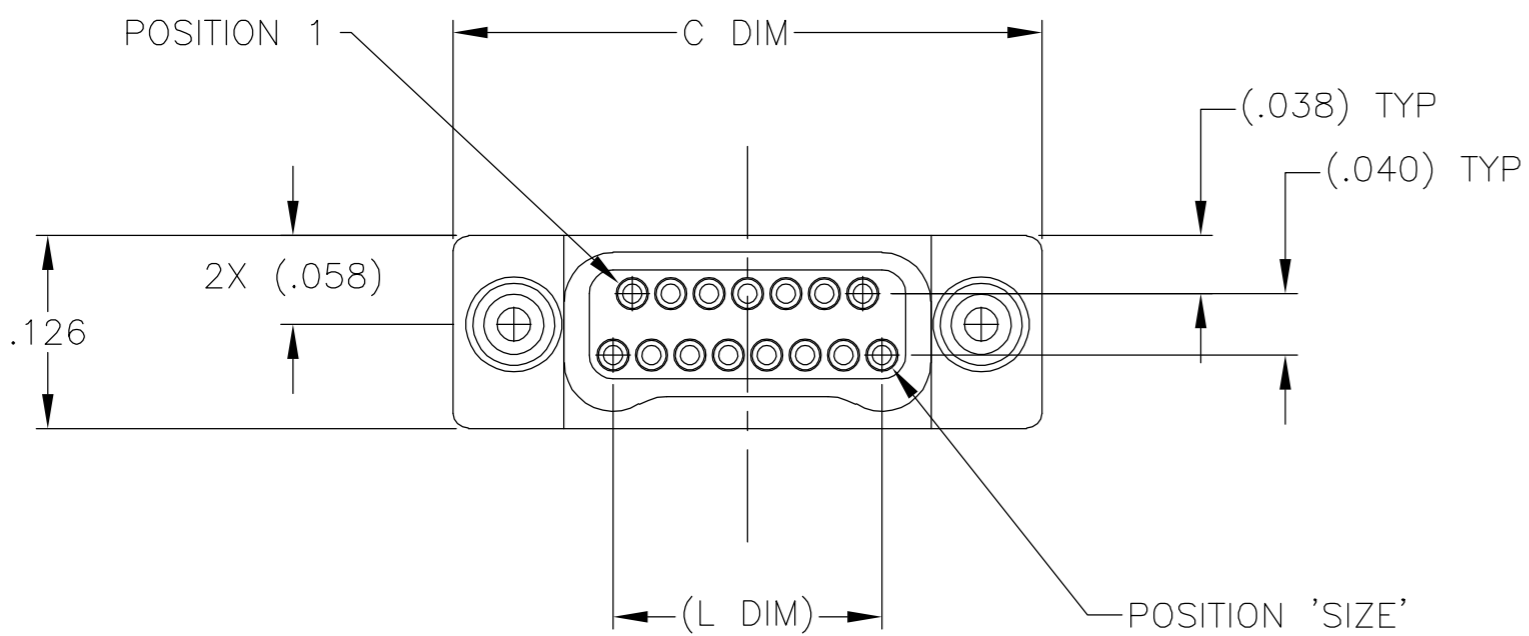
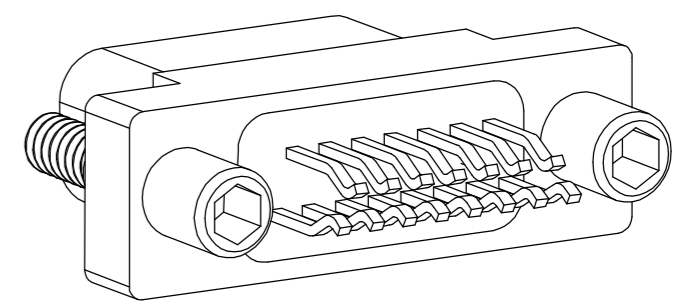
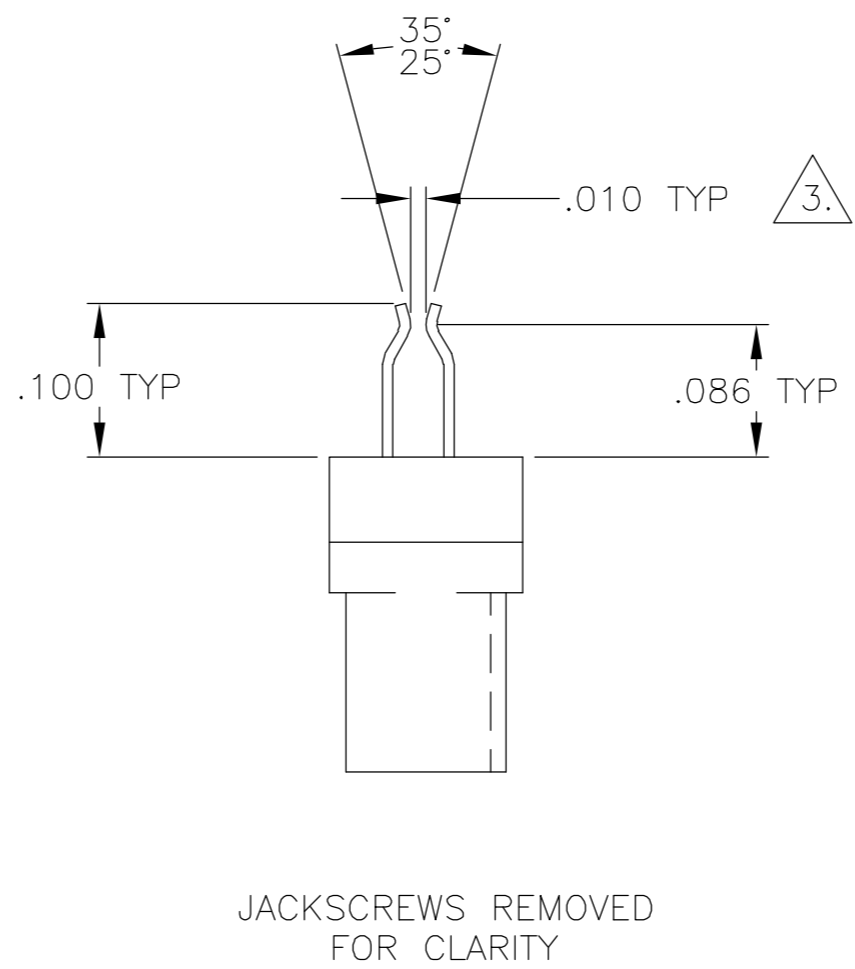
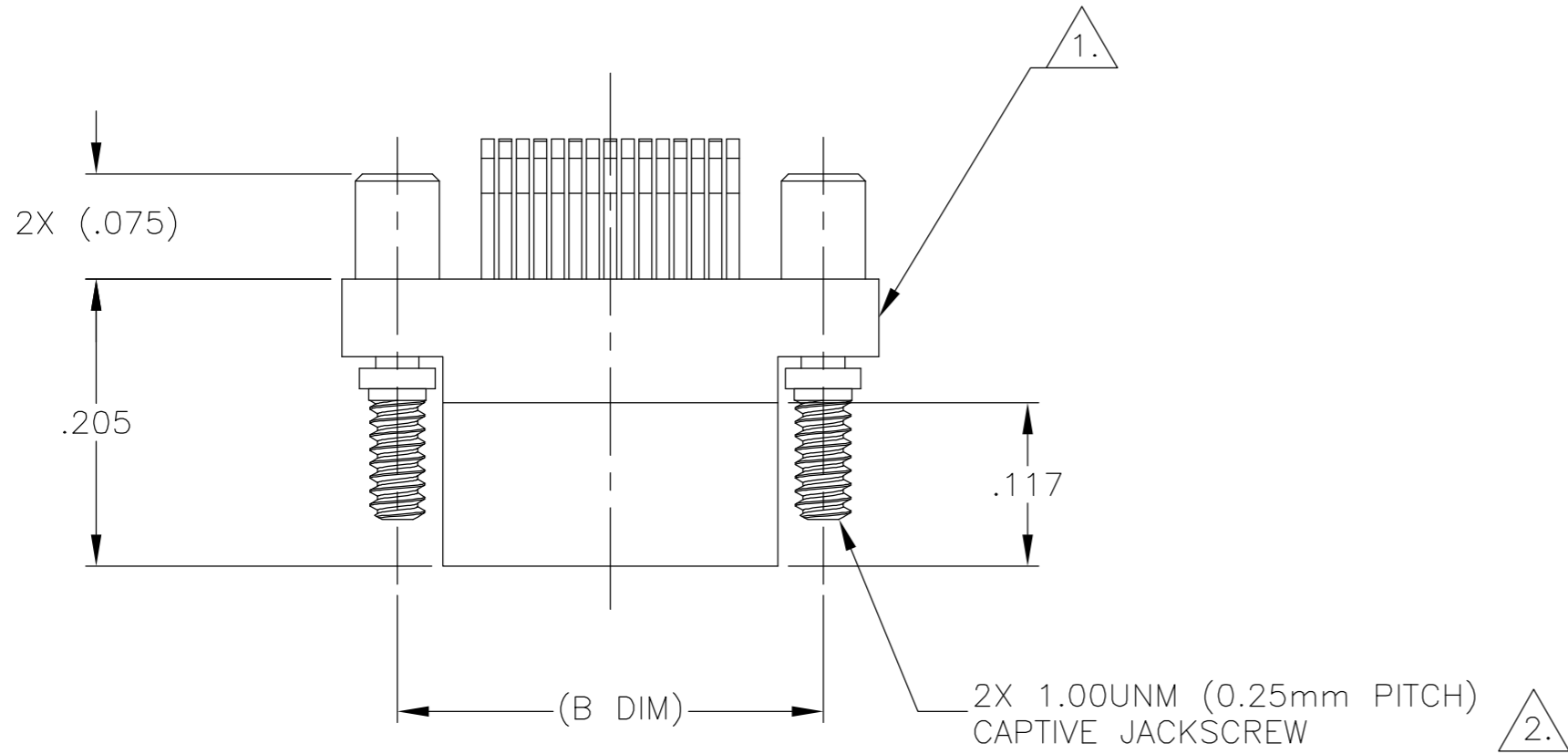


THIS DRAWING IS UNPUBLISHED. RELEASED FOR PUBLICATION
 © COPYRIGHT BY TYCO ELECTRONICS CORPORATION. ALL RIGHTS RESERVED.

LOC		DIST		REVISIONS			
P	LTR	DESCRIPTION	DATE	DWN	APVD		
	D	UPDATE PER 0H2Y-0164-04	05-12-04	JDM	MKS		



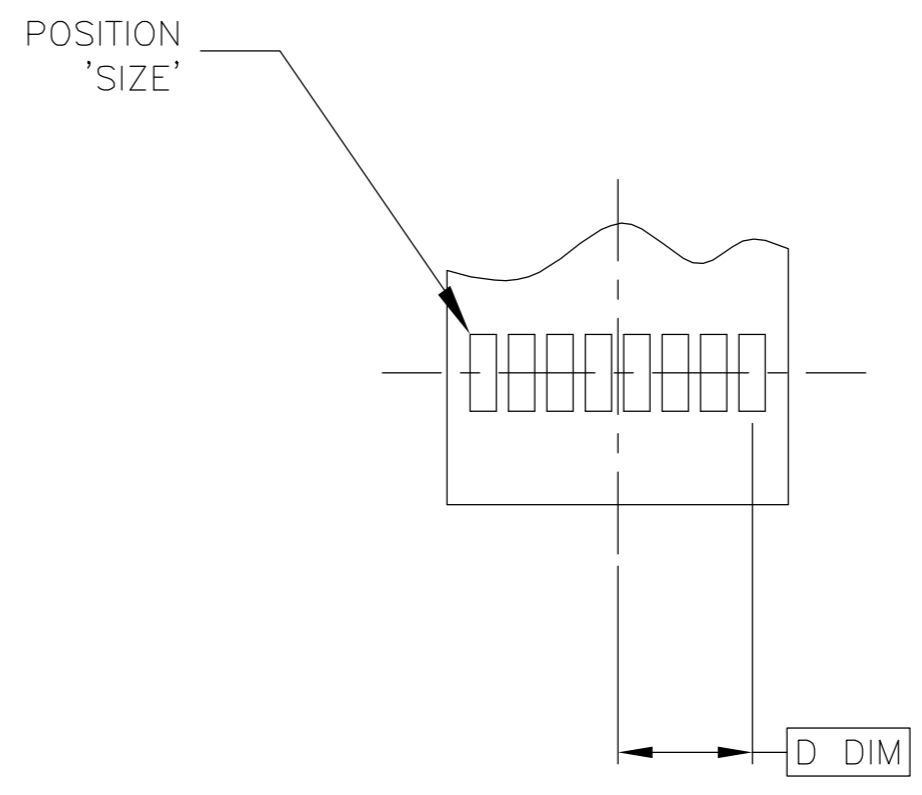
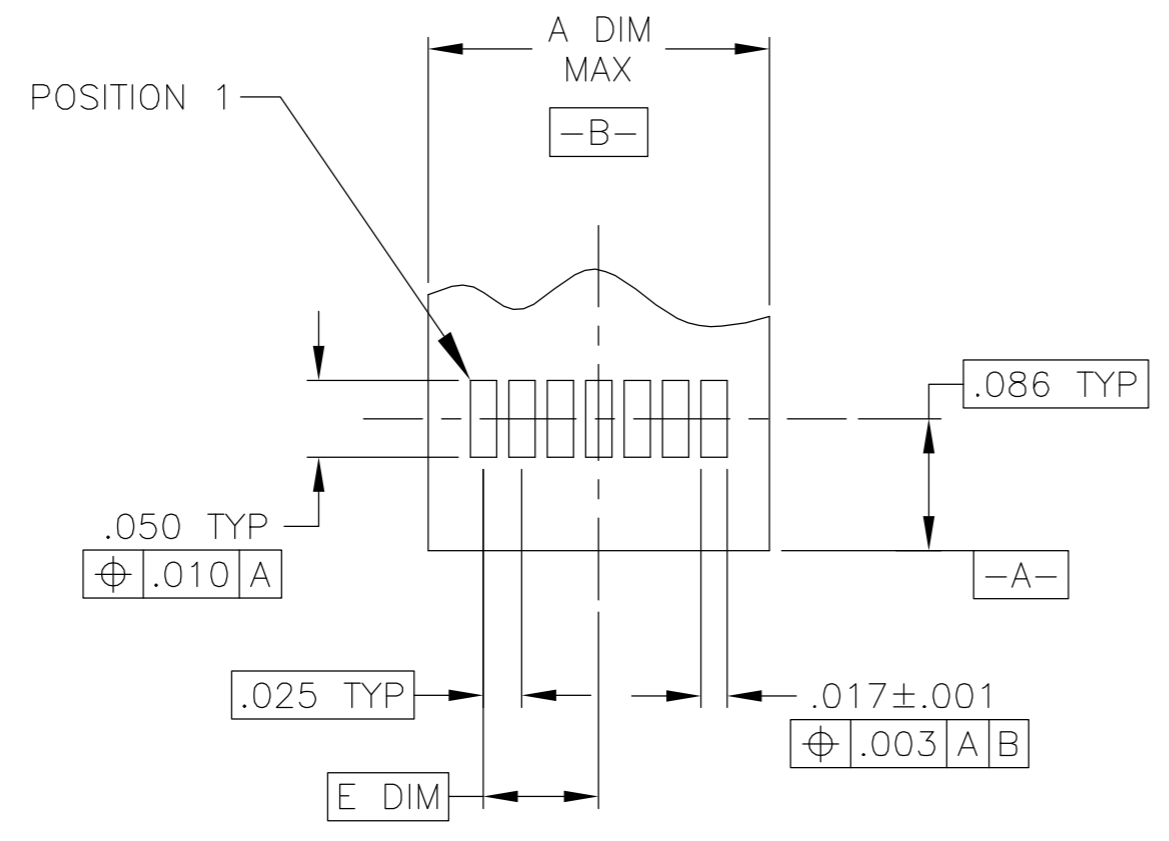
SIZE	(B DIM)	C DIM ±.0050	(L DIM)
09	(.229)	.3085	(.100)
15	(.304)	.3835	(.175)
25	(.429)	.5085	(.300)
37	(.579)	.6585	(.450)
51	(.754)	.8335	(.625)
65	(.929)	1.0085	(.800)

- 1. SHELL OPTIONS (TO BE SPECIFIED IN NANONICS PART NUMBER):
 METAL: 6061-T6 ALUMINUM, ELECTROLESS NICKEL PLATED PER MIL-C-26074 (STANDARD) OR GOLD PLATED PER MIL-G-45204
 303 STAINLESS STEEL, PASSIVATED PER SAE-AMS-QQ-P-35
 INSULATOR MATERIAL FOR ALL METAL SHELLS IS LIQUID CRYSTAL POLYMER (LCP) PER MIL-M-24519 OR PER ASTM D5138
 PLASTIC: LIQUID CRYSTAL POLYMER (LCP) PER MIL-M-24519 OR PER ASTM D5138
- 2. STANDARD 1.00UNM CAPTIVE JACKSCREWS ARE SHOWN FOR REFERENCE ONLY AND MUST BE SPECIFIED IN THE NANONICS PART NUMBER WHEN REQUIRED. JACKSCREW MATERIAL IS 303 STAINLESS STEEL, PASSIVATED PER SAE-AMS-QQ-P-35, AND DRY LUBED PER DOD-L-85645. RETAINING RING IS 17-4 STAINLESS STEEL, PASSIVATED PER SAE-AMS-QQ-P-35. JACKSCREWS HAVE A .9mm HEX SOCKET HEAD. 1.20UNM JACKSCREWS ALSO AVAILABLE.
- 3. LEAD MATERIAL: HH BRASS, TIN LEAD PLATED 60/40 COMPOSITION PER SAE-AMS-P-81728
- 4. NANONICS TERMINATION CODE: 11378
- 5. THIS DRAWING PREVIOUSLY IDENTIFIED AS NANONICS 303-0037-XX

THIS DRAWING IS A CONTROLLED DOCUMENT.		DWN M. STORRY 05-13-99	Tyco Electronics Corporation Harrisburg, PA 17105			
DIMENSIONS: INCHES		CHK E. PAULUS 06-10-99				
TOLERANCES UNLESS OTHERWISE SPECIFIED:		APVD -	NAME			
0 PLC ± - 1 PLC ± - 2 PLC ± .010 3 PLC ± .005 4 PLC ± - ANGLES ± 1°		PRODUCT SPEC -	PLUG ASSEMBLY, TWO ROW DUALOBE, DUCKBILL LEADS, PLASTIC OR METAL			
MATERIAL SEE NOTES		APPLICATION SPEC -	SIZE A2	CAGE CODE 00779	DRAWING NO C=1589066	RESTRICTED TO -
FINISH SEE NOTES		WEIGHT -	SCALE 8:1		SHEET 1 OF 2	REV D
		CUSTOMER DRAWING				

THIS DRAWING IS UNPUBLISHED. RELEASED FOR PUBLICATION
 © COPYRIGHT BY TYCO ELECTRONICS CORPORATION. ALL RIGHTS RESERVED.

LOC	DIST	REVISIONS					
DF	DO	P	LTR	DESCRIPTION	DATE	DWN	APVD
		D		UPDATE PER 0H2Y-0164-04	05-12-04	JDM	MKS



FLEX TOP VIEW
 SIZE 15 SHOWN FOR REFERENCE

FLEX BOTTOM VIEW

TYPICAL FLEX PAD LAYOUT

SIZE	A DIM MAX	D DIM	E DIM
09	.150	.0500	.0375
15	.225	.0875	.0750
25	.350	.1500	.1375
37	.500	.2250	.2125
51	.675	.3125	.3000
65	.850	.4000	.3875

THIS DRAWING IS A CONTROLLED DOCUMENT.

DWN	M. STORRY	05-13-99	Tyco Electronics Corporation Harrisburg, PA 17105			
CHK	E. PAULUS	06-10-99				
APVD	-	-				
NAME	PLUG ASSEMBLY, TWO ROW DUALOBE, DUCKBILL LEADS, PLASTIC OR METAL					
DIMENSIONS: INCHES	TOLERANCES UNLESS OTHERWISE SPECIFIED:	0 PLC ± -	SIZE	CAGE CODE	DRAWING NO	RESTRICTED TO
1 PLC ± -	2 PLC ± .010	3 PLC ± .005	A2	00779	C=1589066	-
4 PLC ± -	ANGLES ± 1°	FINISH -	SCALE	SHEET	OF	REV
MATERIAL -	FINISH -	WEIGHT -	8:1	2	2	D
CUSTOMER DRAWING						

1589066

X-ON Electronics

Largest Supplier of Electrical and Electronic Components

Click to view similar products for [Headers & Wire Housings](#) category:

Click to view products by [TE Connectivity](#) manufacturer:

Other Similar products are found below :

[95000-104TRLF](#) [10135584-644402LF](#) [DF62W-EP2022PCA](#) [95000-106TRLF](#) [DF62W-2022SCA](#) [DF62W-EP2022PC](#) [2203348](#) [DF62W-2022SC](#) [1084018](#) [1029039](#) [1084017](#) [802-10-012-10-002000](#) [1112640](#) [1112639](#) [000-34000](#) [0009482033](#) [0009507031](#) [57102-S06-03LF](#) [57202-S52-04LF](#) [PCN6-15S-2.5E](#) [0039019024](#) [58102-G61-06LF](#) [582553-1](#) [0009485154](#) [0009508121](#) [0022285053](#) [0050291907](#) [018731A](#) [LY20-4P-DT1-P1E-BR](#) [02.125.8002.8](#) [60101931](#) [60598-1 \(Cut Strip\)](#) [M1625-3R/100](#) [61062-3](#) [61082-181009](#) [636-1427](#) [638009-1](#) [641938-9](#) [641991-4](#) [644168-1](#) [647662-1](#) [65039-019ELF](#) [65817-002LF](#) [65817-015LF](#) [65863-015LF](#) [66207-023LF](#) [67016-026LF](#) [67046-001LF](#) [67095-007LF](#) [67230-005LF](#)