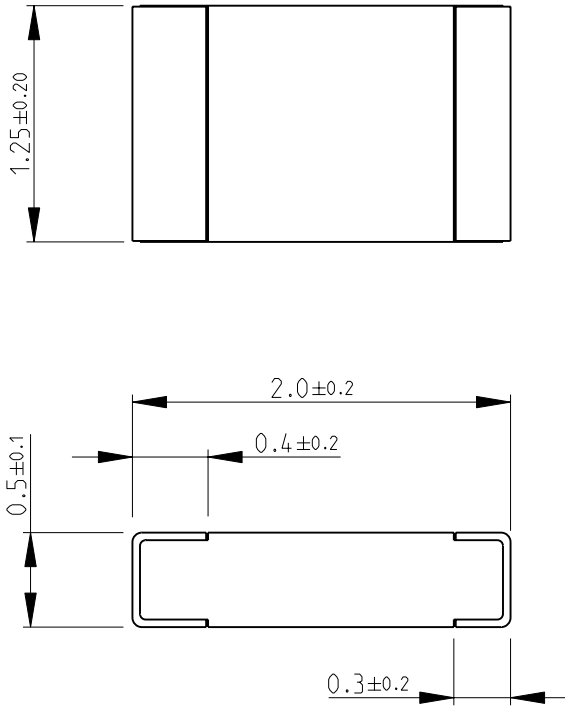
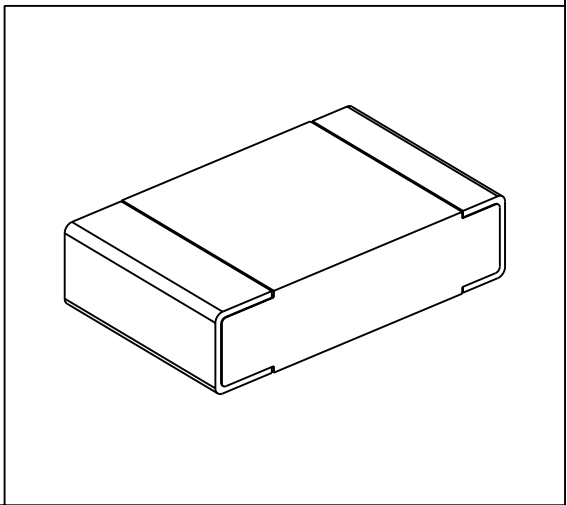


| LOC |     | DIST        |                           | REVISIONS |      |           |      |     |
|-----|-----|-------------|---------------------------|-----------|------|-----------|------|-----|
| P   | LTR | DESCRIPTION |                           |           | DATE | DWN       | APVD |     |
| E   | B   | BA2         | REVISED PER ECO-11-005150 |           |      | 29MAR2011 | RK   | HMR |

FOR FURTHER INFORMATION SEE DATA SHEET FOR CPF SERIES-THIN FILM PRECISION CHIP RESISTORS



RoHS Compliant



2008

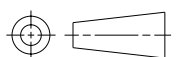
RELEASED FOR PUBLICATION

ALL RIGHTS RESERVED.

THIS DRAWING IS UNPUBLISHED.

BY -  
© COPYRIGHT 2008

|  |       |           |                  |                 |             |               |
|--|-------|-----------|------------------|-----------------|-------------|---------------|
| DIMENSIONS:<br>mm                      | DWN   | 22-Sep-08 | MATERIAL         | -               | FINISH      | -             |
|  | CHK   | 22-Sep-08 | TE Connectivity  |                 |             |               |
| TOLERANCES UNLESS OTHERWISE SPECIFIED: | APVD  | 22-Sep-08 |                  |                 |             |               |
|  | 0 PLC | ± 0.2     | PRODUCT SPEC     | SERIES CPF 0805 |             |               |
| 1 PLC                                  | ± 0.1 | -         | SIZE             | CAGE CODE       | DRAWING NO  | RESTRICTED TO |
| 2 PLC                                  | ± -   | -         | A 4              | 00779           | © = 1614884 | -             |
| 3 PLC                                  | ± -   | -         | CUSTOMER DRAWING |                 |             |               |
| 4 PLC                                  | ± -   | -         | SCALE            | 25:1            | SHEET       | 1 OF 1        |
| ANGLES                                 | ± 5°  | -         | WEIGHT           | -               | REV         | BA2           |



## X-ON Electronics

Largest Supplier of Electrical and Electronic Components

*Click to view similar products for [Thin Film Resistors - SMD category](#):*

*Click to view products by [TE Connectivity manufacturer](#):*

Other Similar products are found below :

[7-2176089-6](#) [MCW0406MD1001DP500](#) [FCR1206J22R](#) [FCR1206J33R](#) [1-2176090-3](#) [1-2176089-6](#) [ERA-3EEB2742V](#)  
[NCSR250F4M50DTRGF](#) [2176089-1](#) [2176090-4](#) [2176091-3](#) [CMB02070X3000GB200](#) [CPA2512Q6R80FS-T10](#) [4-1625868-7](#) [5-1625868-9](#) [5-18022-5](#) [ERA-3EEB2671V](#) [CFR0W4J0220A2P](#) [P1206Y1804FNTA](#) [CPA2512E68R0FS-T10](#) [CPA2512Q4R70FS-T10](#) [8-2176091-9](#) [2-2176091-0](#) [NCSR150FR003DTRT3F](#) [NTR06B5832CTRF](#) [NCSR200JR002DTRF](#) [RSJ372NL](#) [NRC-S12F4751TRF](#) [8-1625868-1](#) [1-2176092-4](#) [4-2176093-9](#) [2176091-9](#) [RT1220P-101-M](#) [PLTU0805U1003LST5](#) [PLTU0603U2001LST5](#) [PLTU0805U1001LST5](#) [PLTU0603U4702LST5](#)  
[4-2176089-0](#) [8-2176091-0](#) [6-2176091-8](#) [3-2176090-3](#) [1-2176092-7](#) [7-2176092-6](#) [7-2176088-7](#) [PCNM2512E1502BST5](#) [2-2176094-5](#)  
[PCNM2512E3012BST5](#) [4-2176092-6](#) [3-2176091-4](#) [8-2176091-5](#)