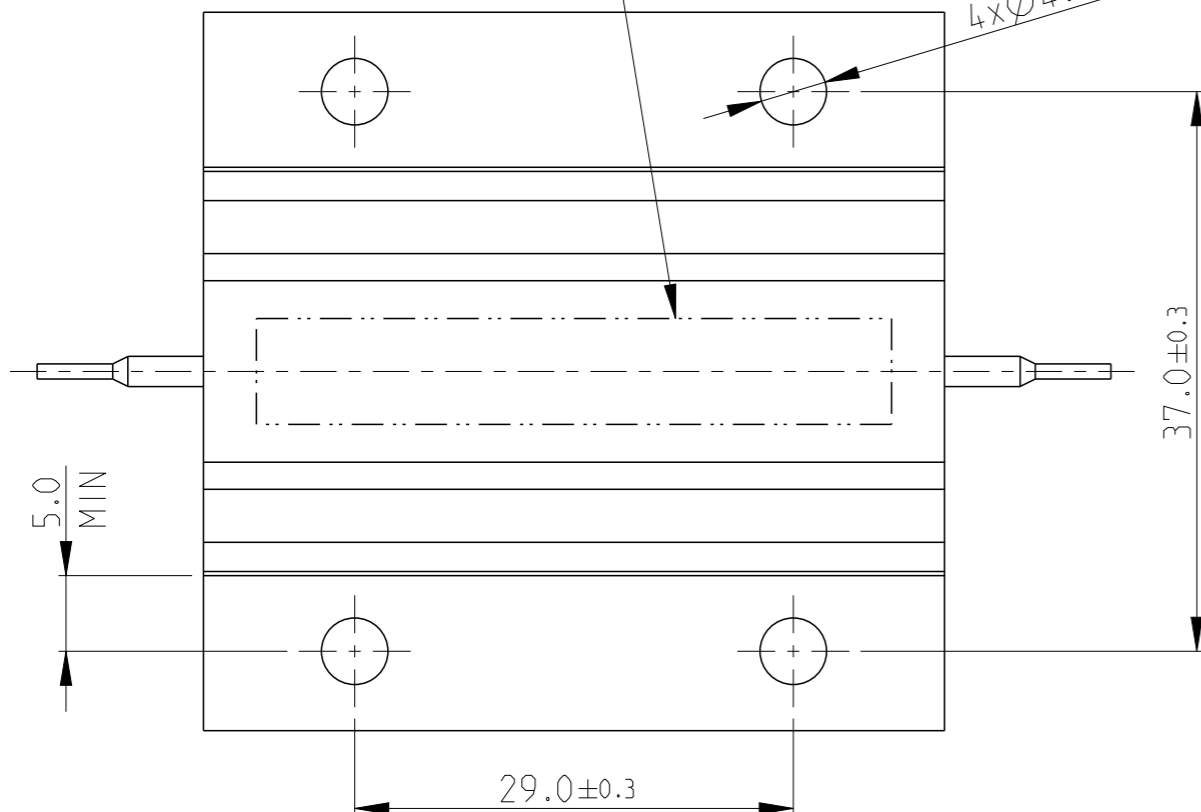


REVISIONS

P	LTR	DESCRIPTION	DATE	DWN	APVD
	A1	Released as per ECR-08-022292	4-Sep-08	SP	JC
	V	ECR-16-003725	12MAR2016	KR	TN

LASER MARKING: TE LOGO PN VALUE TOLERANCE & DATE CODE

4xØ4.4 HOLES

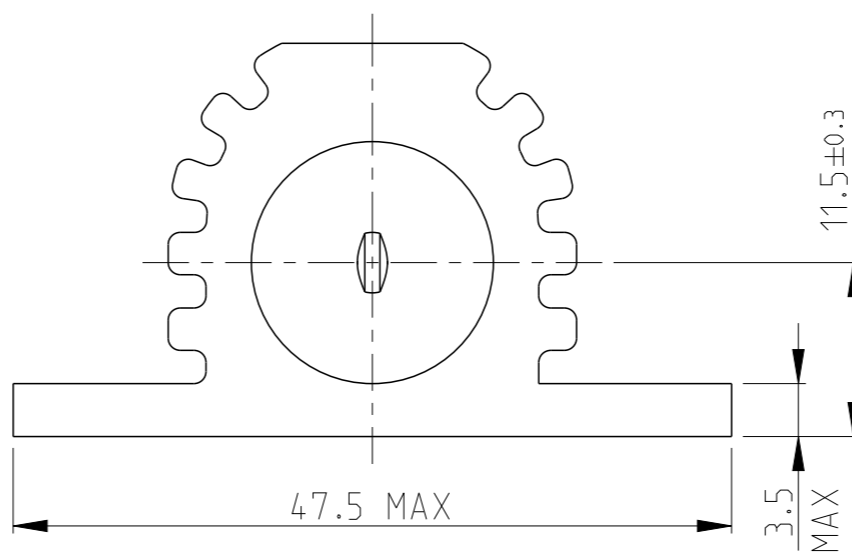
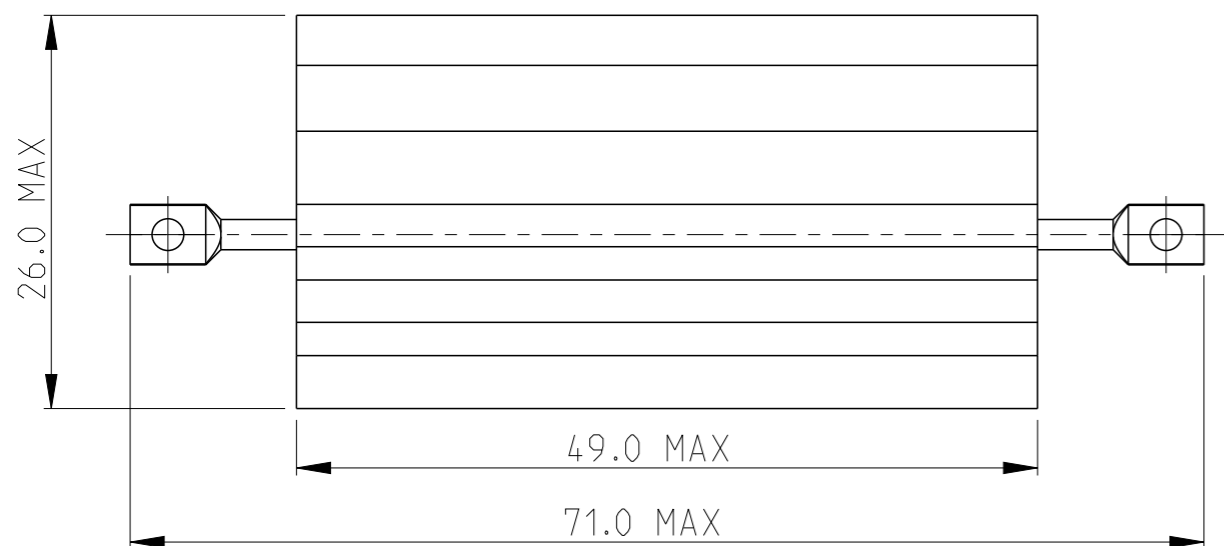


1 FOR FURTHER INFORMATION SEE DATA SHEET FOR HS SERIES-ALUMINIUM HOUSED RESISTORS

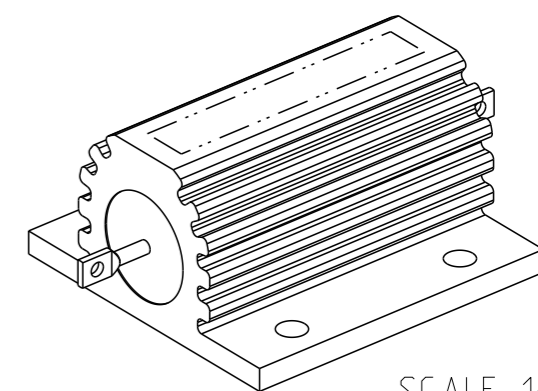
2 FOR A SPECIFIC PN FOR A RESISTANCE VALUE AND TOLERANCE, PLEASE REFER TO DMF

3 TECHNICAL SPECIFICATION

DISSIPATION AT 25°C : 75 WATTS MOUNTED ON STANDARD HEATSINK  
 BS OHMIC RANGE : R10 TO 50K  
 STABILITY : ΔR < =2% PER 1000Hrs  
 ISOLATION VOLTAGE : 3500V DC/AC pk  
 MAX WORKING VOLTAGE : 1400V DC/AC rms  
 TEMP COEFFICIENT : > 1R0 50ppm  
 > 100R 25ppm  
 CLIMATIC CATEGORY : 55/200/56



RoHS Compliant



SCALE 1:1

THIS DRAWING IS A CONTROLLED DOCUMENT.

DWN 27.SEP.05 DAVE KENNEDY

CHK 28.SEP.05 J CATCHPOLE

APVD 28.SEP.05 J CATCHPOLE

PRODUCT SPEC

APPLICATION SPEC

WEIGHT -

CUSTOMER DRAWING



NAME HSC75 METAL CLAD RESISTOR

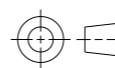
SIZE CAGE CODE DRAWING NO RESTRICTED TO

A3 00779 C=1625995

SCALE 2:1 SHEET 1 OF 1 REV V

DIMENSIONS: mm

TOLERANCES UNLESS OTHERWISE SPECIFIED:



0 PLC	±0.5
1 PLC	±0.2
2 PLC	±0.1
3 PLC	±
4 PLC	±
ANGLES	±5°

MATERIAL - material\_2

FINISH - finish\_spec\_2

## X-ON Electronics

Largest Supplier of Electrical and Electronic Components

*Click to view similar products for [Wirewound Resistors - Chassis Mount](#) category:*

*Click to view products by [TE Connectivity](#) manufacturer:*

Other Similar products are found below :

[HD300HLR71J](#) [VK100NA-50](#) [40/70MJ2K00BE](#) [L75J1K0E](#) [VK100NA250](#) [L100J150E-MT1](#) [L50J500E-MT1](#) [SL130J100K-12](#)  
[HSC1004R0F](#) [F30J20R](#) [HSC1008R0F](#) [HSX25R22J](#) [L100J40K](#) [CL65J10R](#) [HSW600 47R J](#) [HSW600 1R J](#) [L12NJ20R](#) [75342-400](#) [HSW600](#)  
[22R J](#) [VRH320 1K K](#) [VRH320 100R K](#) [968.15 110M C E](#) [HSW600 4R7 J](#) [40/70MJ230R0HE](#) [L25J500E-MT1](#) [1-2176247-6](#) [1-2176248-5](#) [2-](#)  
[2176248-0](#) [1-2176249-3](#) [C1500K12R](#) [FST02515E50R00KEE3](#) [AG5NFR68E](#) [AG12NFR68E](#) [AG12NFR47E](#) [AG12NFR56E](#) [AG12NFR33E](#)  
[CL25J39R](#) [AG12NFR22E](#) [850J220E](#) [AG12NFR10E](#) [CL225J30K](#) [810F7R7E](#) [LN100J75RE](#) [D50K100-B](#) [L225J6K0E](#) [21025K538-5R0KE](#)  
[LN80J30R](#) [C300KR75E](#) [D50K25R-B](#) [LN80J14R](#)