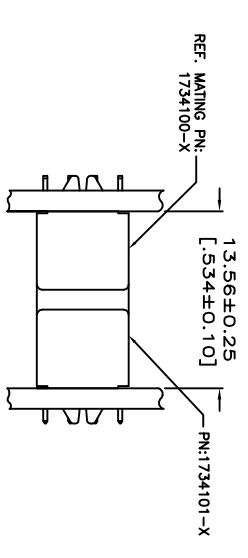
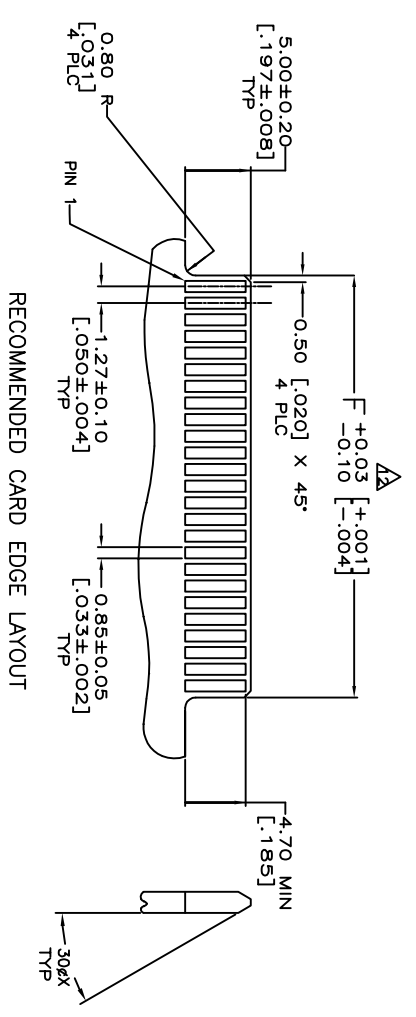
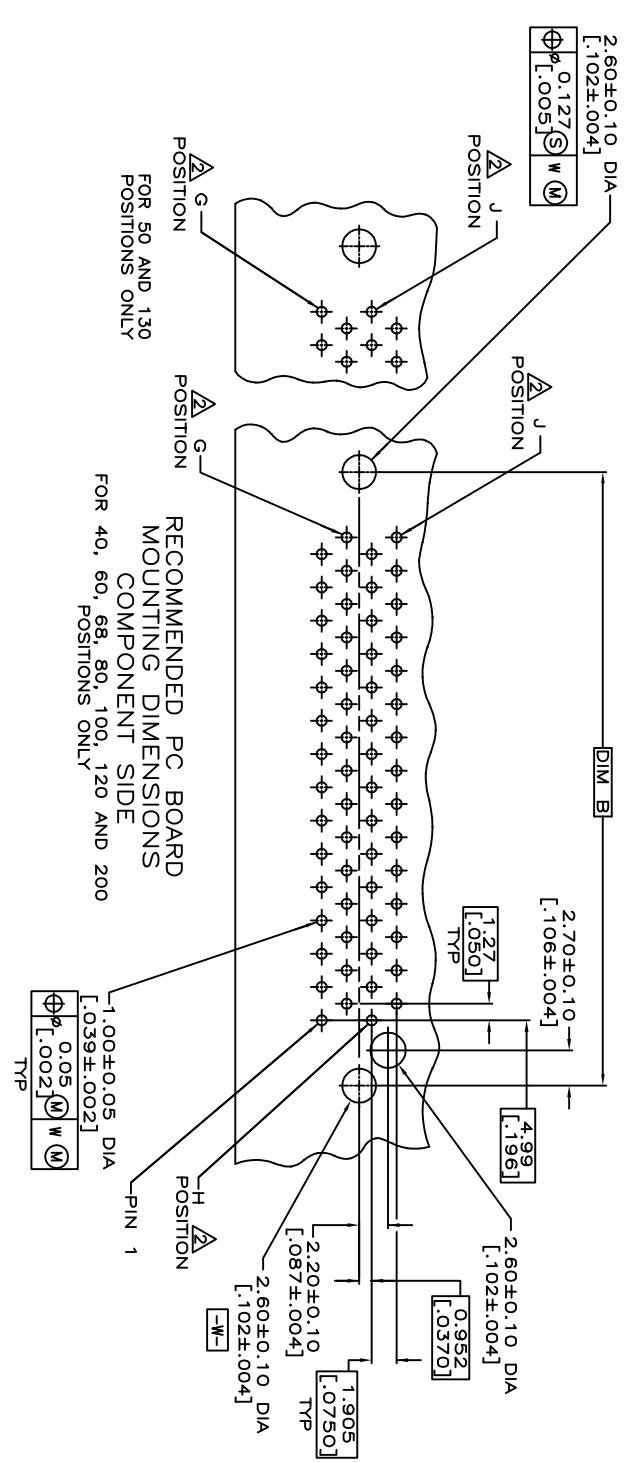
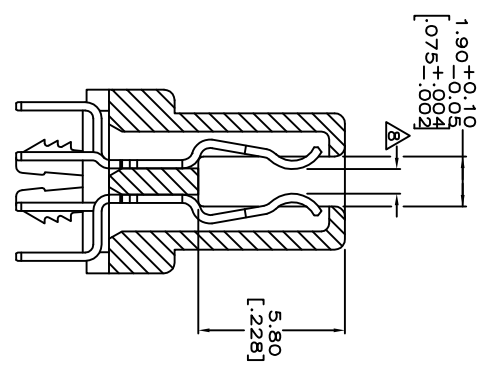


THIS DRAWING IS UNPUBLISHED.
 © COPYRIGHT BY TYCO ELECTRONICS CORPORATION. ALL RIGHTS RESERVED.
 RELEASED FOR PUBLICATION AUG. 2006.

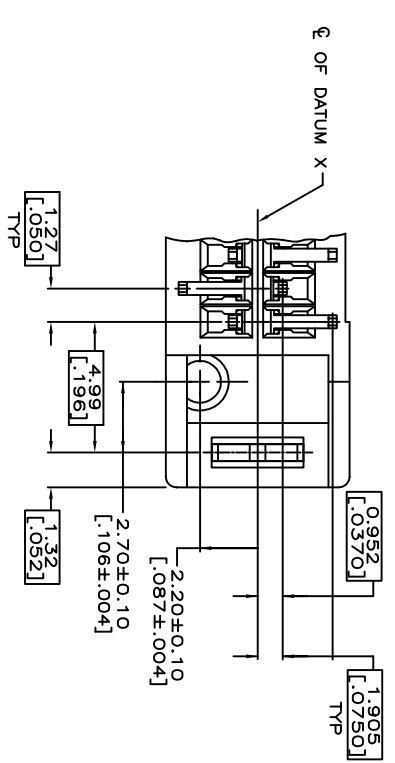
LOC	DIST	REVISIONS	DATE	DWN	APVD
DW					
P	LTR	DESCRIPTION			
		SEE SHEET 1.			



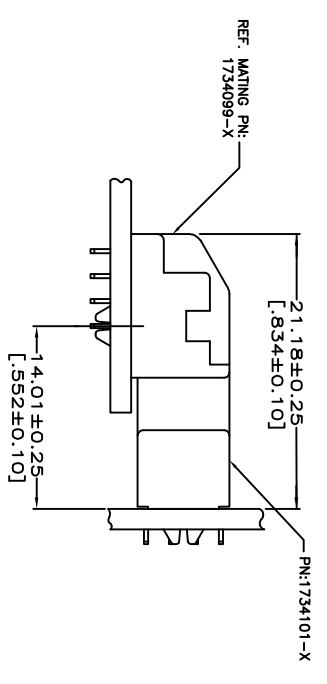
VERTICAL RECEPTACLE ASSEMBLY MATED TO VERTICAL PLUG ASSEMBLY



SECTION E-E SCALE 8:1



DETAIL D SCALE 8:1



VERTICAL RECEPTACLE ASSEMBLY MATED TO VERTICAL PLUG ASSEMBLY

THIS DRAWING IS A CONTROLLED DOCUMENT.

DIMENSIONS: MM		TOLERANCES UNLESS OTHERWISE SPECIFIED:		DWN		NAME	
0	PLC	±	-	CHK		STE TE Connectivity	
1	PLC	±	-	APVD		RECEPTACLE ASSEMBLY, VERTICAL, BOARD-TO-BOARD, CHAMP.050, SERIES 1,	
2	PLC	±	-	PRODUCT SPEC		SIZE	
3	PLC	±	-	QUALIFICATION TEST REPORT		A3 00779	
4	PLC	±	-	WEIGHT		CAGE CODE	
	ANGLES	±	-	CUSTOMER DRAWING		G 1734101	
	FINISH	±	-			DRAWING NO	
		±	-			SCALE	
		±	-			SHEET	
		±	-			REV	
		±	-			E 2	

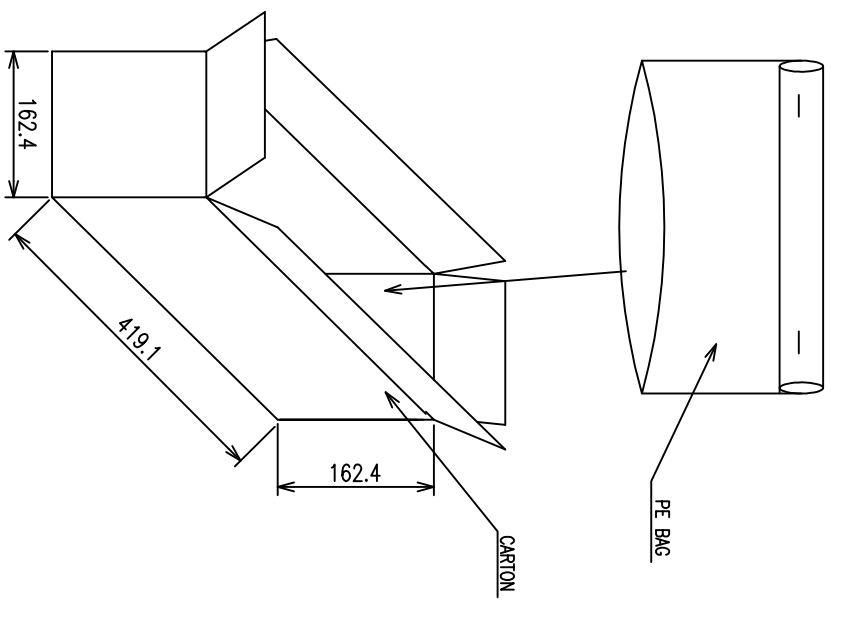
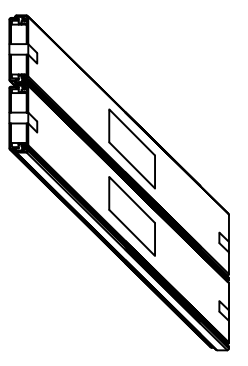
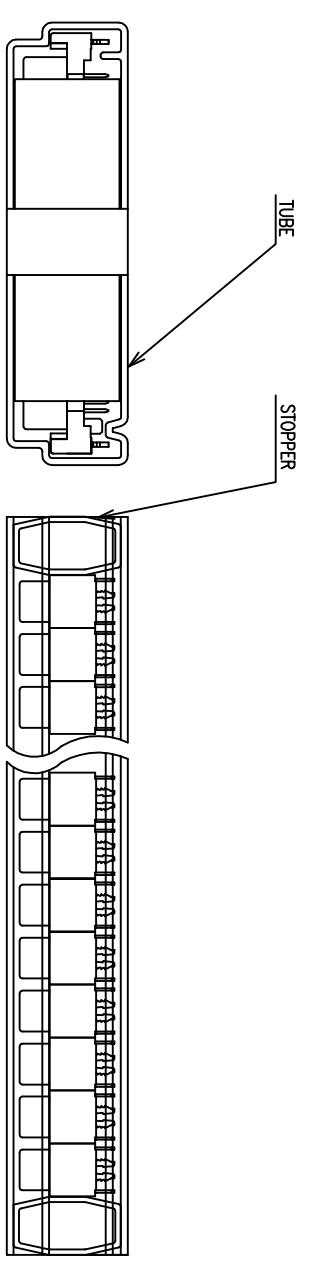
THIS DRAWING IS UNPUBLISHED.
 © COPYRIGHT - BY TYCO ELECTRONICS CORPORATION. ALL RIGHTS RESERVED.

RELEASED FOR PUBLICATION
 AUG. 2006.

Loc DW
 DIST

REVISIONS

P	LTR	DESCRIPTION	DATE	DMN	APVD
		SEE SHEET 1.			

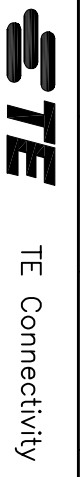


DMN	CHK	APVD	PRODUCT SPEC	QUALIFICATION TEST REPORT	WEIGHT	CUSTOMER DRAWING	G.W./CARTON (KG)	N.W./CARTON (KG)	PCS/TUBE	TUBES/CARTON	QUANTITY/CARTON (PCS)	PART NUMBER	POS.
							4.21	2.89	54	8	432	5-1734101-3	120
							6.84	4.92	54	16	864	3-1734101-1	100
							5.61	4.06	54	16	864	1-1734101-8	80
							5.05	3.63	54	16	864	6-1734101-7	68
							4.65	3.23	54	16	864	7-1734101-7	
							4.28	3.11	54	16	864	4-1734101-6	60
							4.72	3.42	54	16	864	6-1734101-6	
							5.32	4.02	54	24	1296	2-1734101-7	50
							4.42	3.37	54	24	1296	5-1734101-7	40
							6.25	5.36	54	32	1728	3-1734101-7	30
												4-1734101-4	
												6-1734101-4	
												1734101-4	
												4-1734101-3	
												6-1734101-3	
												1734101-3	

THIS DRAWING IS A CONTROLLED DOCUMENT.

TOLERANCES UNLESS OTHERWISE SPECIFIED:
 0 PLC ±
 1 PLC ±
 2 PLC ±
 3 PLC ±
 4, PRC ANGLES ±

DMN
 CHK
 APVD
 PRODUCT SPEC
 QUALIFICATION TEST REPORT
 WEIGHT
 CUSTOMER DRAWING



RECEPTACLE ASSEMBLY,
 VERTICAL, BOARD-TO-BOARD,
 CHAMP.050, SERIES 1,

NAME
 SIZE A3
 CAGE CODE 00779
 DRAWING NO. 1734101
 RESTRICTED TO

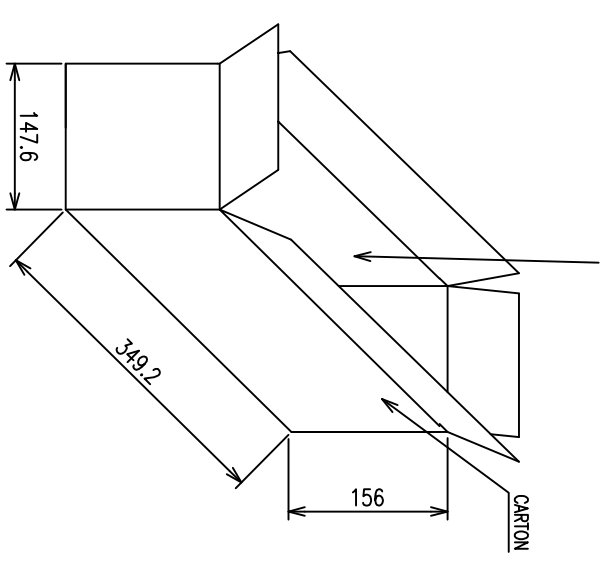
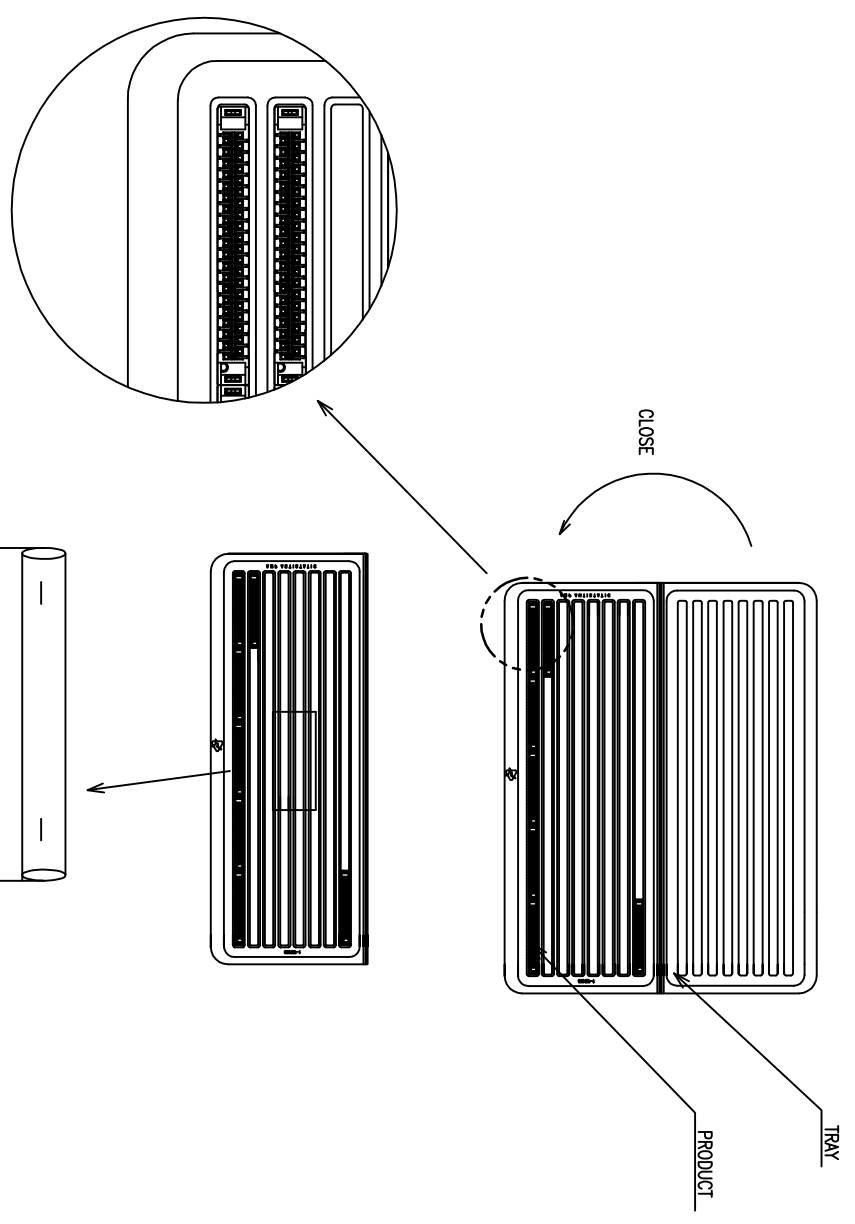
THIS DRAWING IS UNPUBLISHED.
 © COPYRIGHT - BY TYCO ELECTRONICS CORPORATION. ALL RIGHTS RESERVED.

RELEASED FOR PUBLICATION
 AUG. 2006.

Loc DW
 DIST

REVISIONS

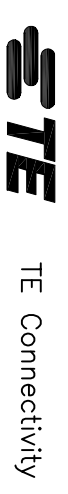
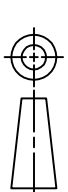
P	LTR	DESCRIPTION	DATE	DWN	APVD
		SEE SHEET 1.			



DESCRIPTION	G.W./CARTON (KG)	N.W./CARTON (KG)	PCS/TRAY	TRAYS/CARTON	QUANTITY/CARTON (PCS)	PART NUMBER	POS.
OBSOLETE	2.69	1.71	16	10	160	5-1734101-6 3-1734101-6 1-1734101-6 5-1734101-5 3-1734101-5 1-1734101-5	200
	2.37	1.39	16	10	160	5-1734101-4 3-1734101-4 1-1734101-4	160
OBSOLETE	2.48	1.50	32	10	320	4-1734101-9 6-1734101-9 1734101-9	80

THIS DRAWING IS A CONTROLLED DOCUMENT.

DIMENSIONS:	TOLERANCES UNLESS OTHERWISE SPECIFIED:
MM	0 PLC ± .1
	1 PLC ± .1
	2 PLC ± .1
	3 PLC ± .1
	4. PRC ± .1
	ANGLES ± .1
MATERIAL	



RECEPTACLE ASSEMBLY,
 VERTICAL, BOARD-TO-BOARD,
 CHAMP.050, SERIES 1,

APVD	NAME	SIZE	CAGE CODE	DRAWING NO	RESTRICTED TO
		A3	00779	1734101	
PRODUCT SPEC					
QUALIFICATION TEST REPORT					
WEIGHT					
CUSTOMER DRAWING					

X-ON Electronics

Largest Supplier of Electrical and Electronic Components

Click to view similar products for [Board to Board & Mezzanine Connectors](#) category:

Click to view products by [TE Connectivity](#) manufacturer:

Other Similar products are found below :

[10135583-642402LF](#) [89885-310LF](#) [589158040000018](#) [6-1393048-0](#) [68683-613](#) [MDF7-12DP-2.54DSA](#) [MDF7-18P-2.54DSA\(01\)](#) [MDF7-20DP-2.54DSA](#) [MDF7-26D-2.54DSA\(55\)](#) [MDF7-3P-2.54DSA\(01\)](#) [MDF7B-3P-2.54DSA\(55\)](#) [MDF7C-11P-2.54DSA\(55\)](#) [MDF7C-18P-2.54DSA\(55\)](#) [MDF7C-5P-2.54DSA\(01\)](#) [MDF7P-5P-2.54DSA\(55\)](#) [75234-0516](#) [FCN-230C068-11](#) [FCN-268F012-G/BD](#) [FCN-268F036-G/BD](#) [FCN-268M012-G/0D](#) [FCN-268M024-G/1D](#) [FCN-360C008-C](#) [FCN-360C040-C](#) [FCN-723J004/1](#) [MIS-048-01-F-D-DP-K](#) [832-10-034-10-001000](#) [93696-325LF](#) [11828-1FA](#) [AXK630345P](#) [18097-0013](#) [ICA-328STT](#) [2007042-2](#) [304400-2](#) [FCN-214Q030-G/0](#) [FCN-215Q040-G/0](#) [FCN-230C068-ESA](#) [FCN-234P048-G/0](#) [FCN-235D050-G/C](#) [FCN-360A3](#) [FCN-360C040-B](#) [210-93-314-41-105000](#) [2-22603-0](#) [379-064-521-202](#) [MDF7-12P-2.54DSA\(01\)](#) [MDF7-16P-2.54DS\(56\)](#) [MDF7-40DP-2.54DSA\(55\)](#) [MDF7-8P-2.54DSA\(55\)](#) [MDF7B-16P-2.54DSA\(55\)](#) [AXG720047](#) [5031084030](#)