

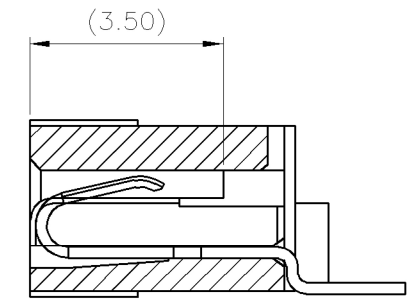
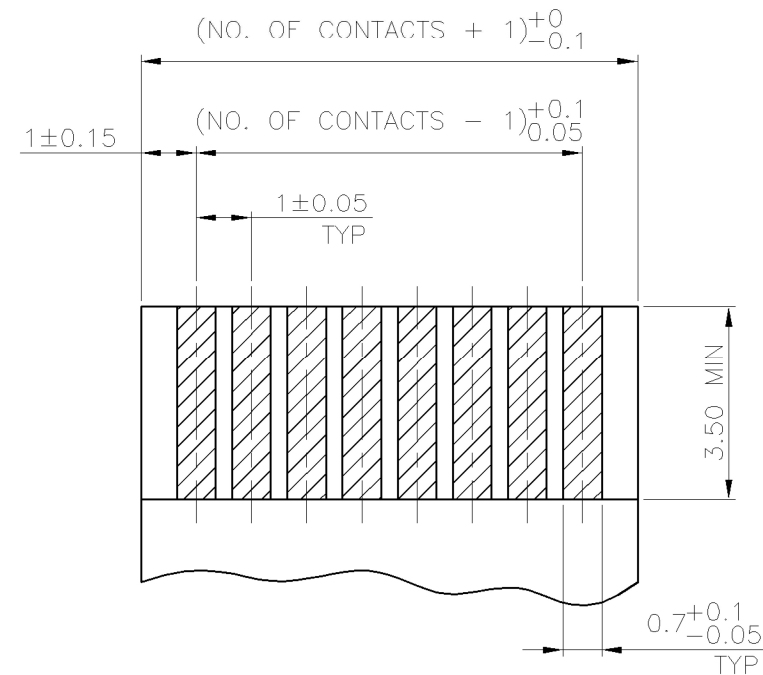
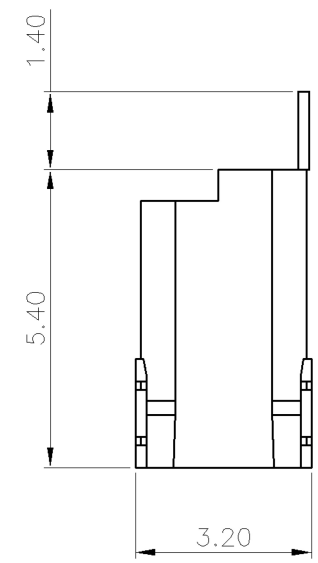
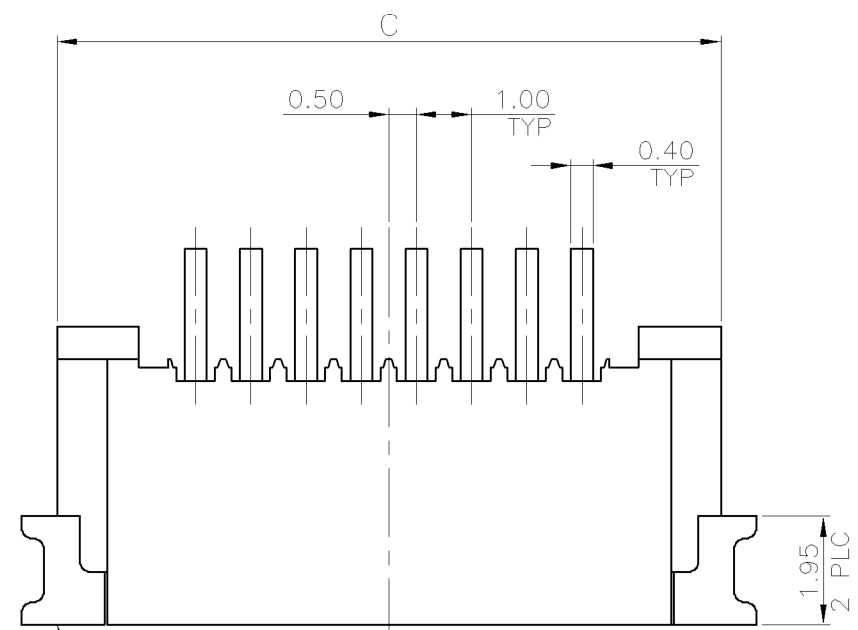
NUMBER  
C-1734798

METRIC  
3RD ANGLE PROJECTION

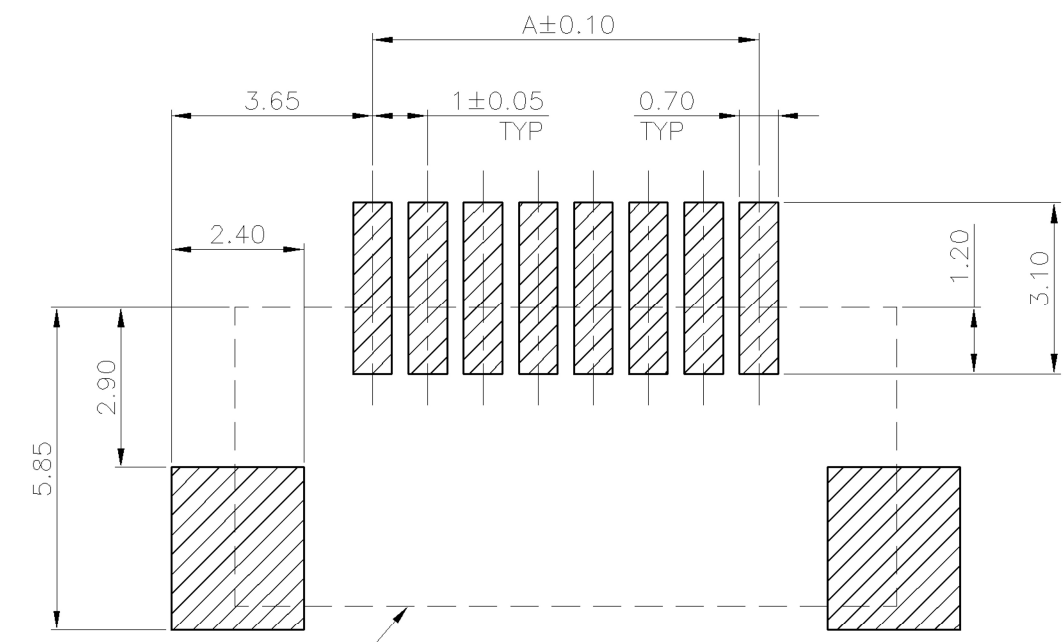
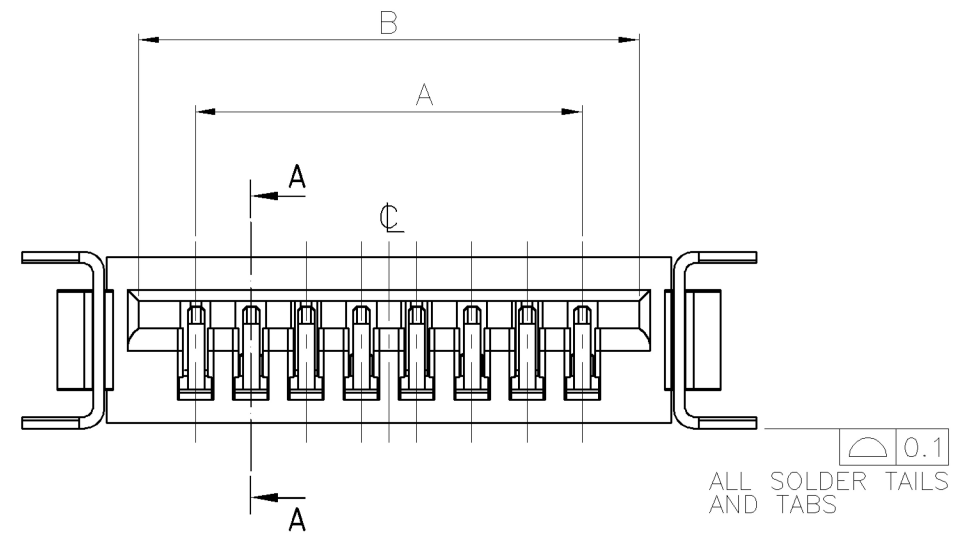
METRIC

DIMENSIONS IN MILLIMETERS. DO NOT SCALE PRINT.

PRINT  
DW



SECTION A-A



RECOMMENDED FPC LAYOUT  
(THICKNESS = 0.3 ± 0.05)

RECOMMENDED PCB LAYOUT

0.77g	34.00	31.05	29.00	30	3-1734798-0
0.76g	33.00	30.05	28.00	29	2-1734798-9
0.73g	32.00	29.05	27.00	28	2-1734798-8
0.70g	31.00	28.05	26.00	27	2-1734798-7
0.68g	30.00	27.05	25.00	26	2-1734798-6
0.65g	29.00	26.05	24.00	25	2-1734798-5
0.63g	28.00	25.05	23.00	24	2-1734798-4
0.60g	27.00	24.05	22.00	23	2-1734798-3
0.57g	26.00	23.05	21.00	22	2-1734798-2
0.55g	25.00	22.05	20.00	21	2-1734798-1
0.52g	24.00	21.05	19.00	20	2-1734798-0
0.49g	23.00	20.05	18.00	19	1-1734798-9
0.47g	22.00	19.05	17.00	18	1-1734798-8
0.44g	21.00	18.05	16.00	17	1-1734798-7
0.42g	20.00	17.05	15.00	16	1-1734798-6
0.39g	19.00	16.05	14.00	15	1-1734798-5
0.36g	18.00	15.05	13.00	14	1-1734798-4
0.34g	17.00	14.05	12.00	13	1-1734798-3
0.31g	16.00	13.05	11.00	12	1-1734798-2
0.29g	15.00	12.05	10.00	11	1-1734798-1
0.26g	14.00	11.05	9.00	10	1-1734798-0
0.23g	13.00	10.05	8.00	9	1734798-9
0.21g	12.00	9.05	7.00	8	1734798-8
0.18g	11.00	8.05	6.00	7	1734798-7
0.16g	10.00	7.05	5.00	6	1734798-6
0.13g	9.00	6.05	4.00	5	1734798-5
0.10g	8.00	5.05	3.00	4	1734798-4

WEIGHT	DIMENSIONS			NO. OF CONTACTS	PART NUMBER
	C	B	A		

- NOTE:
- MATERIAL:  
HOUSING: THERMOPLASTIC WITH 33% GF, UL 94V-0, BLACK COLOR.  
CONTACTS: PHOSPHOR BRONZE.  
TABS: BRASS.
  - FINISH:  
CONTACTS: 120μ" MIN. MATTE-TIN OVER 50μ" MIN. NICKEL ON ENTIRE CONTACT.  
TABS: 120μ" MIN. MATTE-TIN OVER 50μ" MIN. NICKEL.
  - REFLOW SOLDER CAPABLE TO 260°C AS PER TE Connectivity SPEC. 109-201, CONDITION B.
  - NO TYCO LOGO AND DATE CODE ON THE PRODUCT.

TOLERANCES UNLESS OTHERWISE SPECIFIED: 0 PLC ±- 1 PLC ±0.15 2 PLC ±0.1 3 PLC ±- ANGLES ±-	DWN A. WU 17-NOV-2005		FPC CONNECTOR, 1.0 PITCH, NON-ZIF, SMT, SIDE ENTRY, BOTTOM CONTACT			
MATERIAL SEE NOTE	CHK S. HOU 17-NOV-2005		NAME			
FINISH SEE NOTE	APVD T. KE 17-NOV-2005	PRODUCT SPEC 108-57354	LOC DW	SIZE A <sub>3</sub>	DRAWING NO C-1734798	REV C
	WEIGHT SEE TABLE	SCALE --	SHEET 1 OF 2			

C	ACTIVE PARTS	ECR-16-002215	HX	WH	08JUL16
LTR	REVISION RECORD	ECO	DWN	CHK	DATE

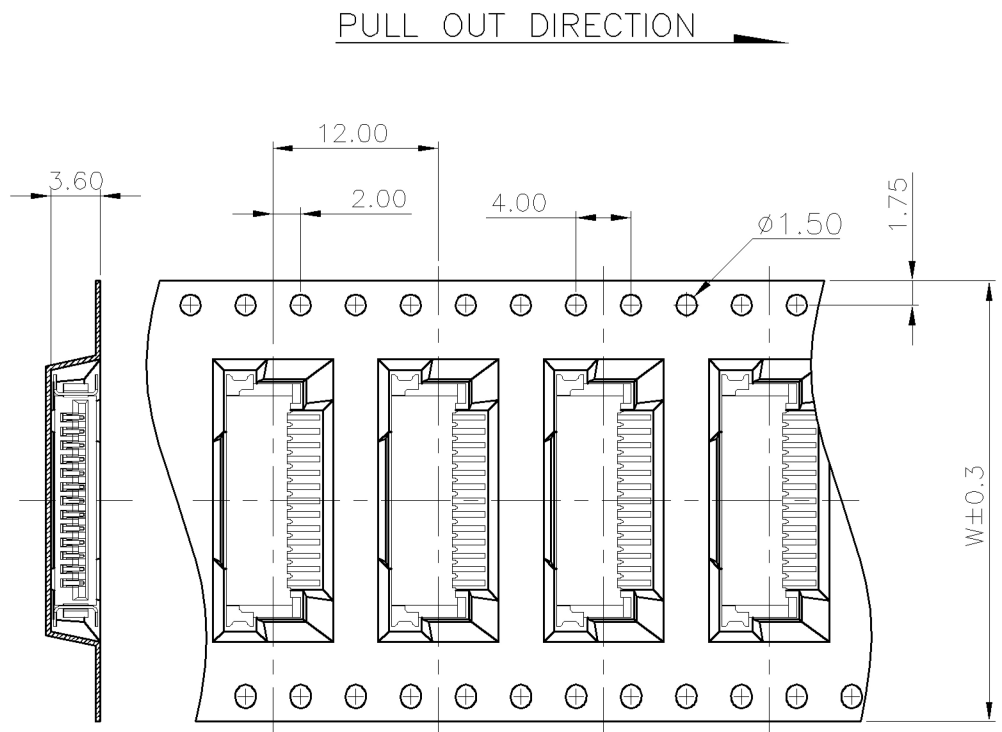
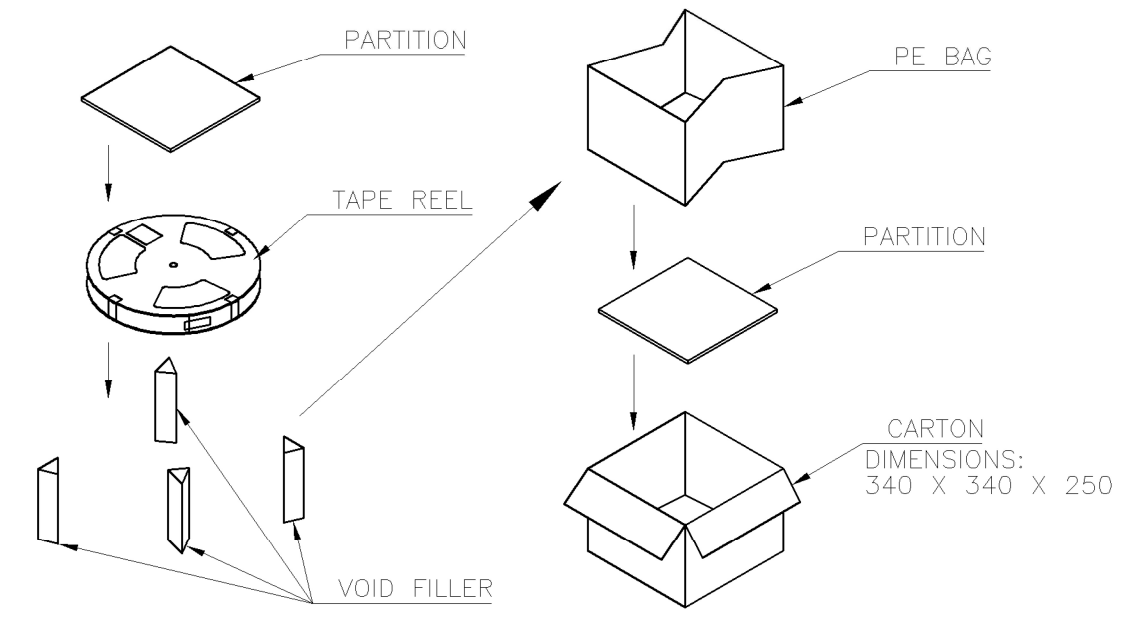
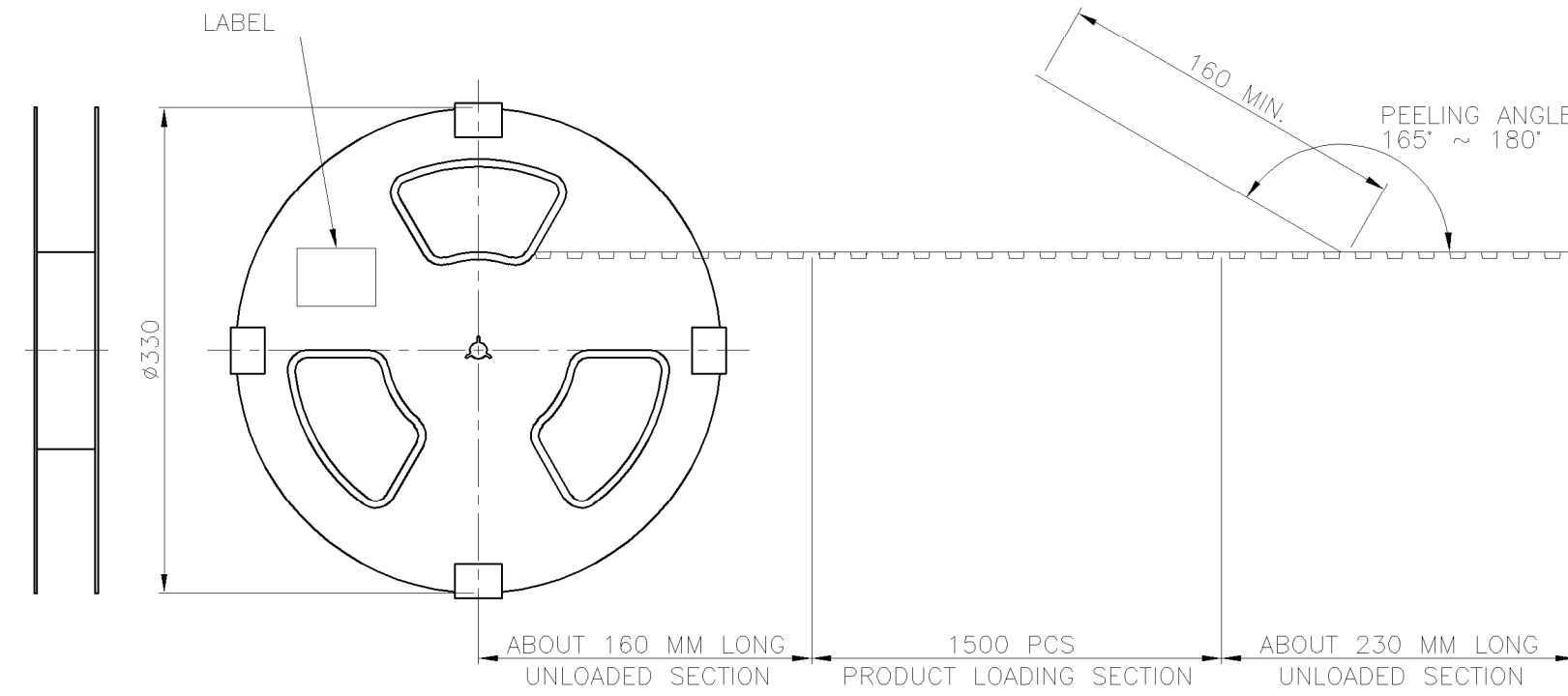
NUMBER  
C-1734798

3RD ANGLE PROJECTION

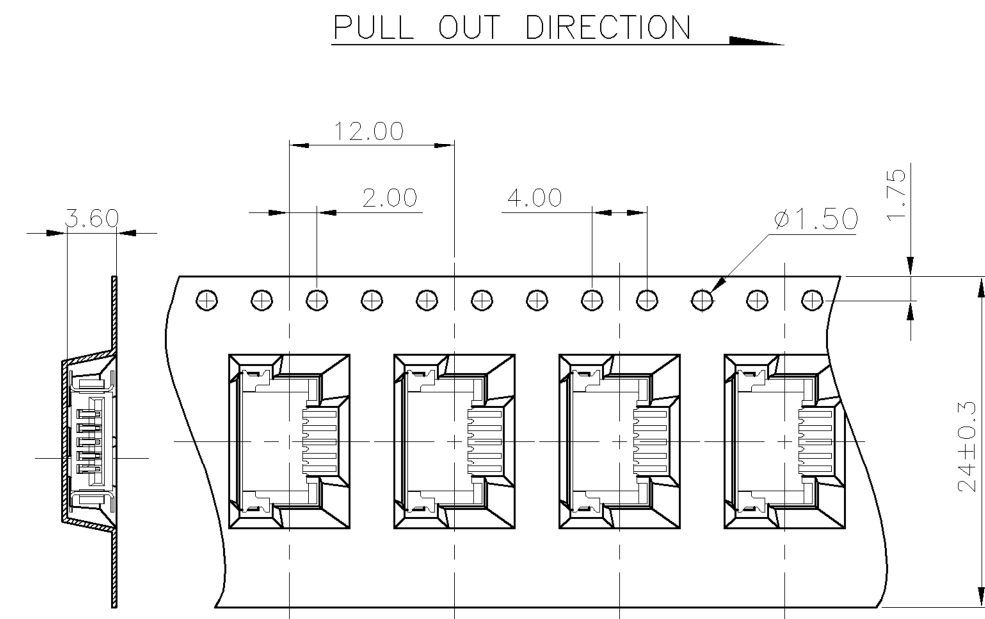
METRIC

DIMENSIONS IN MILLIMETERS. DO NOT SCALE PRINT.

PRINT  
DW



PRODUCT LOADING FOR 12 ~ 30 CONTACTS



PRODUCT LOADING FOR 4 ~ 11 CONTACTS

DIM	W	REELS/CARTON	QUANTITY (PCS)	G/W (KG)	N/W (KG)	NO. OF CONTACTS
56	3	4500	5.55	3.47	30	
			5.46	3.42	29	
			5.33	4.38	28	
44	4	6000	6.38	4.20	27	
			6.26	4.08	26	
			6.14	3.90	25	
			5.96	3.78	24	
			5.84	3.60	23	
			5.72	3.42	22	
			5.54	3.30	21	
			5.42	3.12	20	
			5.30	2.94	19	
			5.18	2.82	18	
32	6	9000	5.00	2.64	17	
			4.88	2.52	16	
			6.65	3.51	15	
			6.47	3.24	14	
			6.20	3.06	13	
			6.02	2.79	12	
24	7	10500	6.52	3.05	11	
			6.31	2.73	10	
			5.99	2.41	9	
			5.78	2.21	8	
			5.57	1.89	7	
			5.36	1.68	6	
			5.17	1.37	5	
			4.84	1.05	4	

TOLERANCES UNLESS OTHERWISE SPECIFIED: 0 PLC ±- 1 PLC ±- 2 PLC ±- 3 PLC ±- ANGLES ±-		DWN A. WU 17-NOV-2005	TE Connectivity <b>FPC CONNECTOR, 1.0 PITCH, NON-ZIF, SMT, SIDE ENTRY, BOTTOM CONTACT</b>				
MATERIAL -		CHK S. HOU 17-NOV-2005					
FINISH -		APVD T. KE 17-NOV-2005	LOC DW	SIZE <b>A<sub>3</sub></b>	DRAWING NO C-1734798	REV C	
LTR		REVISION RECORD	ECO	DWN CHK	DATE	SCALE --	SHEET 2 OF 2

SEE SHEET 1.		
LTR	REVISION RECORD	ECO
		DWN CHK
		DATE

## X-ON Electronics

Largest Supplier of Electrical and Electronic Components

*Click to view similar products for [FFC & FPC Connectors](#) category:*

*Click to view products by [TE Connectivity](#) manufacturer:*

Other Similar products are found below :

[HFW11R-1STE1H1LF](#) [FH29B-100S-0.2SHW\(99\)](#) [FA5S008HP1](#) [FH29B-120S-0.2SHW\(99\)](#) [FH29B-80S-0.2SHW\(99\)](#) [FHS-16](#) [FPH-2022G](#)  
[52610-1075](#) [52610-1275](#) [52610-1934](#) [XF3M\(1\)-1415-1B-R100](#) [501864-3091-TR225](#) [0525594033](#) [086210010340800](#) [086222026001800](#)  
[52271-2869-CUT-TAPE](#) [62674-201121DLF](#) [62684-36210E9ALF](#) [52610-1675](#) [52746-1671-TR250](#) [10051922-2810EHLF](#) [6-520415-9](#)  
[BD021-09A-A1-0350-0200-0550-LD](#) [SFV6R-1STE9HLF](#) [XF3M-2915-1B-R100](#) [1658549-1](#) [62674-221121ALF](#) [46214008010800](#)  
[046298003000883](#) [151660622](#) [842-816-2630-035](#) [AYF530665TA](#) [AYF351525](#) [046296011930846+](#) [AYF352325A](#) [046254020000800+](#)  
[FH19C-13S-0.5SH\(99\)](#) [FH39J-51S-0.3SHW\(99\)](#) [AYF355125A](#) [AYF530365TA](#) [FH29B-44S-0.2SHW\(99\)](#) [SFW5R-2STAE9LF](#) [AYF351125A](#)  
[AYF350725A](#) [62684-502100AHLF](#) [FH39-61S-0.3SHW\(99\)](#) [AYF414035A](#) [10064555-172520HLF](#) [AYF212335A](#) [504754-2500](#)