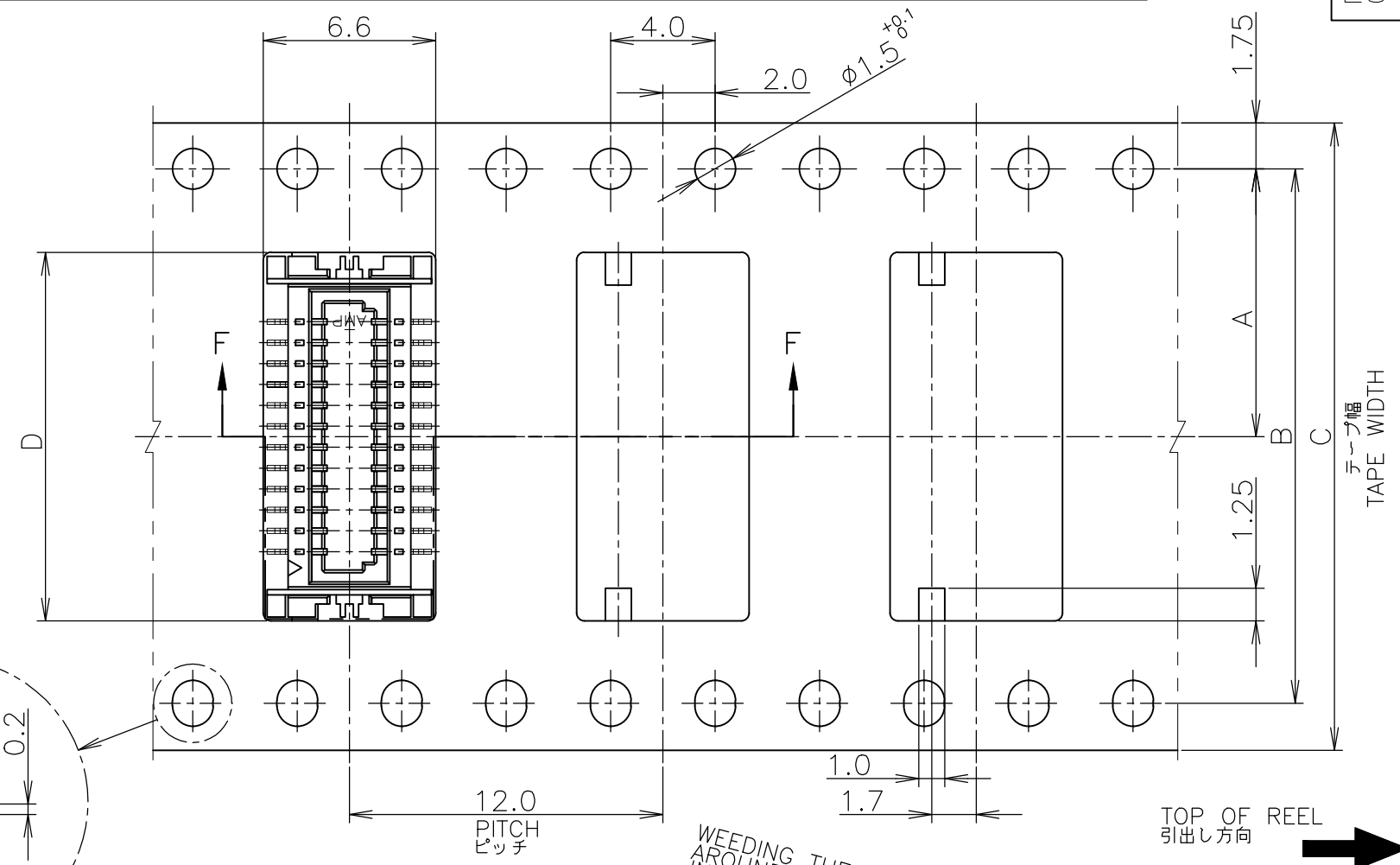
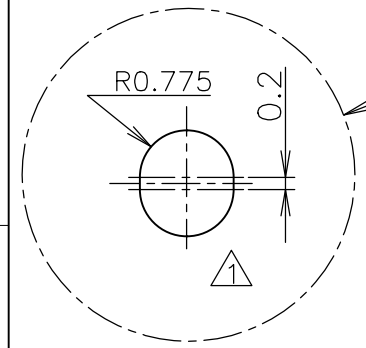
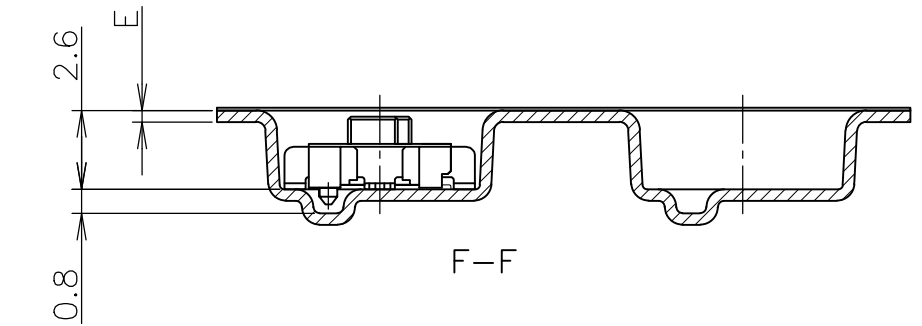


THIS DRAWING IS UNPUBLISHED. RELEASED FOR PUBLICATION FEB, 1994.
 © COPYRIGHT 1994 By - ALL RIGHTS RESERVED.

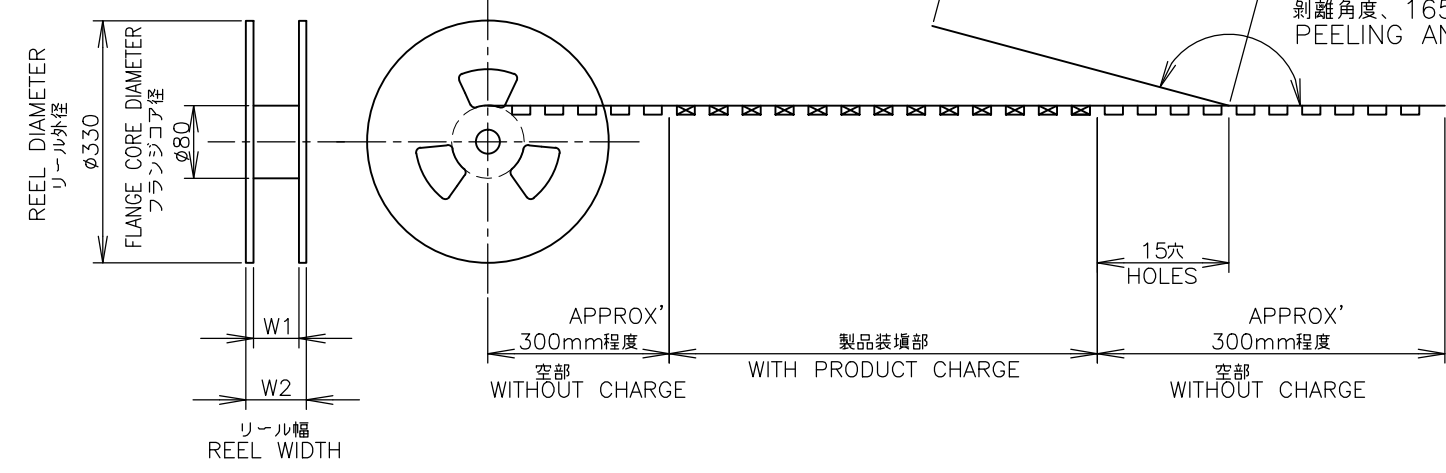
LOC	DIST	REVISIONS					
ES		P	LTR	DESCRIPTION	DATE	DWN	APVD
			H3	REVISED ECR-13-017827	20DEC2013	J.J	W.H



△ 指示穴は40極品以上に適用。
 △ THESE HOLES ARE APPLIED TO 40 POS OR MORE.



WEEDING THE COVER TAPE AROUND THE OUTER PERIPHERY IN A TURN.
 カバーテープリーダ部外周一巻
 剥離角度、165°~180°
 PEELING ANGLE.



OBSOLETE	49.5	45.5	0.38	24.5	44	40.4	20.2	1500	50	5-179396-0
OBSOLETE	37.5	33.5	↑	20.5	32	28.4	14.2	↑	40	4-↑-0
OBSOLETE	↑	↑	↑	16.5	↑	↑	↑	↑	30	3-↑-0
OBSOLETE	29.5	25.5	↑	14.1	24	↑	11.5	↑	24	2-↑-4
OBSOLETE	↑	↑	↑	10.9	↑	↑	↑	↑	16	1-↑-6
OBSOLETE	21.5	17.5	0.38	10.1	↑	↑	↑	↑	14	1-↑-4
	22.4	16.4	0.4	9.3	16	↑	7.5	1500	12	1-179396-2

INSTRUCTION SHEET 取扱説明書 411-5654	W2	W1	E	D	C	B	A	数量 (ヶ) QTY/REEL	極数 POS	リール巻 コネクタ型番 TAPING P/N
--	----	----	---	---	---	---	---	-----------------------	-----------	------------------------------

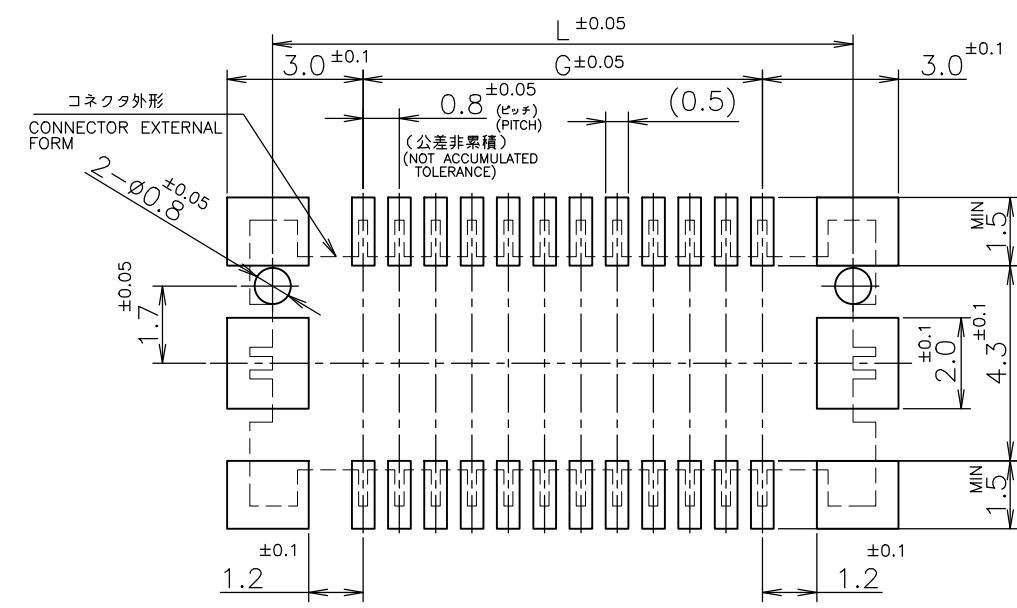
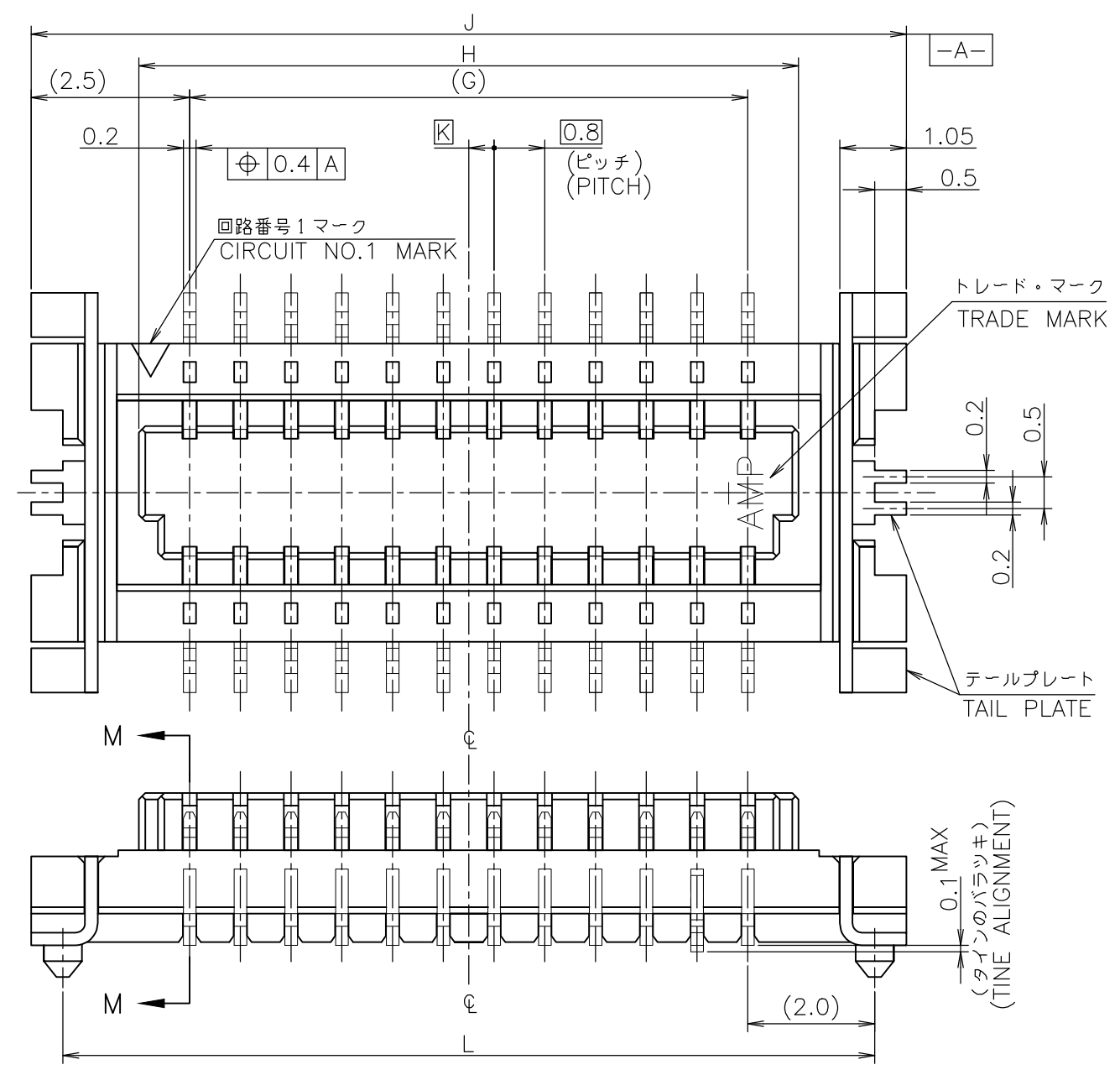
THIS DRAWING IS A CONTROLLED DOCUMENT.

DIMENSIONS: 単位: 耗 mm	TOLERANCES UNLESS OTHERWISE SPECIFIED: 一般公差	DWN K.ASAKAWA 24FEB94	TE Connectivity																																								
<table border="1"> <tr><td>0 PLC</td><td>± 0.2</td></tr> <tr><td>1 PLC</td><td>± 0.2</td></tr> <tr><td>2 PLC</td><td>± 0.2</td></tr> <tr><td>3 PLC</td><td>± 0.2</td></tr> <tr><td>4 PLC</td><td>± 0.2</td></tr> <tr><td>ANGLES</td><td>± 3°</td></tr> </table>	0 PLC	± 0.2		1 PLC	± 0.2	2 PLC	± 0.2	3 PLC	± 0.2	4 PLC	± 0.2	ANGLES	± 3°	<table border="1"> <tr><td>CHK</td><td>-</td></tr> <tr><td>APVD</td><td>01NOV96</td></tr> <tr><td>NAME</td><td>S.KUBOUCHI</td></tr> <tr><td>PRODUCT SPEC</td><td>製品規格</td></tr> <tr><td>108-5424</td><td></td></tr> <tr><td>APPLICATION SPEC</td><td>取付適用規格</td></tr> <tr><td>WEIGHT</td><td></td></tr> </table>	CHK	-	APVD	01NOV96	NAME	S.KUBOUCHI	PRODUCT SPEC	製品規格	108-5424		APPLICATION SPEC	取付適用規格	WEIGHT		<table border="1"> <tr><td>NAME</td><td colspan="2">ON TAPING EMBOSS PLUG ASSEMBLY WITH BOSS</td></tr> <tr><td>名称</td><td colspan="2">0.8mm PITCH BOARD TO BOARD CONNECTOR</td></tr> <tr><td></td><td colspan="2">MATING HEIGHT 3.0mm</td></tr> <tr><td>SIZE</td><td>CAGE CODE</td><td>DRAWING NO</td></tr> <tr><td>A3</td><td>00779</td><td>C-179396</td></tr> </table>	NAME	ON TAPING EMBOSS PLUG ASSEMBLY WITH BOSS		名称	0.8mm PITCH BOARD TO BOARD CONNECTOR			MATING HEIGHT 3.0mm		SIZE	CAGE CODE	DRAWING NO	A3	00779
0 PLC	± 0.2																																										
1 PLC	± 0.2																																										
2 PLC	± 0.2																																										
3 PLC	± 0.2																																										
4 PLC	± 0.2																																										
ANGLES	± 3°																																										
CHK	-																																										
APVD	01NOV96																																										
NAME	S.KUBOUCHI																																										
PRODUCT SPEC	製品規格																																										
108-5424																																											
APPLICATION SPEC	取付適用規格																																										
WEIGHT																																											
NAME	ON TAPING EMBOSS PLUG ASSEMBLY WITH BOSS																																										
名称	0.8mm PITCH BOARD TO BOARD CONNECTOR																																										
	MATING HEIGHT 3.0mm																																										
SIZE	CAGE CODE	DRAWING NO																																									
A3	00779	C-179396																																									
MATERIAL 材料	FINISH 仕上	CUSTOMER DRAWING	RESTRICTED TO																																								

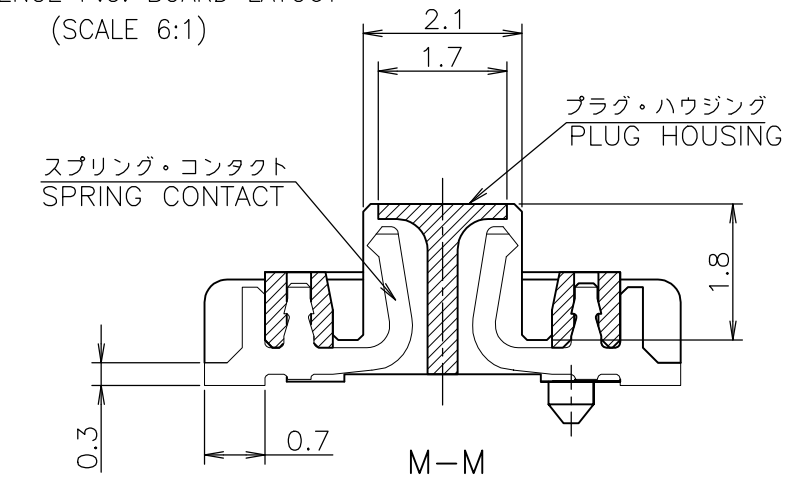
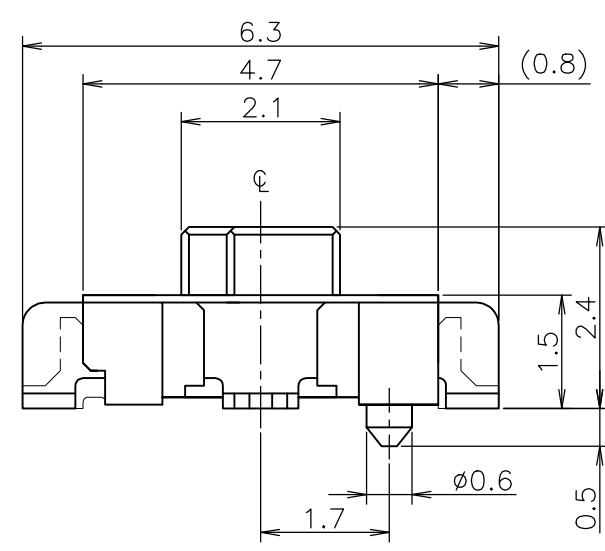
SCALE 尺度 4:1 SHEET 1 OF 2 REV H3

THIS DRAWING IS UNPUBLISHED. RELEASED FOR PUBLICATION FEB, 1994.
 © COPYRIGHT 1994 By - ALL RIGHTS RESERVED.

LOC	DIST	REVISIONS			DATE	DWN	APVD
		P	LTR	DESCRIPTION			
ES		-		SEE SHEET 1	-	-	-



参考基板加工寸法 (t=0.6 MIN.)
 REFERENCE P.C. BOARD LAYOUT
 (SCALE 6:1)



△ 材料: ハウジング - 6T NYLON (高耐熱性ナイロン)
 ガラス30%, 色: ベージュ
 コンタクト - 燐青銅・錫めっき(0.2t)
 テールプレート - 燐青銅・錫めっき(0.2t)

△ MATERIAL: HOUSING - 6T NYLON (HIGH HEAT-RESISTED NYLON), GF30%,
 COLOR: BEIGE.
 CONTACT - POST-TIN/PHOS-BROZ(0.2t)
 TAIL PLATE - POST-TIN/PHOS-BROZ(0.2t)

0.410	23.2	---	24.2	20.75	19.2	50
-0.340	19.2	0.4	20.2	16.75	15.2	40
0.270	15.2	---	16.2	12.75	11.2	30
0.228	12.8	0.4	13.8	10.35	8.8	24
0.172	9.6	0.4	10.6	7.15	5.6	16
0.158	8.8	---	9.8	6.35	4.8	14
0.144	8.0	0.4	9.0	5.55	4.0	12
重量(g) WEIGHT	L	K	J	H	G	極数 POS

THIS DRAWING IS A CONTROLLED DOCUMENT.

DIMENSIONS: 単位: 耗 mm	TOLERANCES UNLESS OTHERWISE SPECIFIED: 一般公差	DWN	 TE Connectivity
0 PLC ± 0.2	1 PLC ± 0.2	CHK	
2 PLC ± 0.2	3 PLC ± 0.2	APVD	
4 PLC ± 0.2	ANGLES ± 3°	PRODUCT SPEC 製品規格	
MATERIAL 材料 SEE NOTE △ 注△参照	FINISH 仕上 SEE NOTE △ 注△参照	APPLICATION SPEC 取付適用規格	NAME 名称 ON TAPING EMBOSS PLUG ASSEMBLY WITH BOSS 0.8mm PITCH BOARD TO BOARD CONNECTOR MATING HEIGHT 3.0mm
		WEIGHT	SIZE A3 CAGE CODE 00779 DRAWING NO. G-179396 RESTRICTED TO
CUSTOMER DRAWING			SCALE 10:1 SHEET 2 OF 2 REV H3

X-ON Electronics

Largest Supplier of Electrical and Electronic Components

Click to view similar products for [Board to Board & Mezzanine Connectors](#) category:

Click to view products by [TE Connectivity](#) manufacturer:

Other Similar products are found below :

[10135583-642402LF](#) [89885-310LF](#) [589158040000018](#) [6-1393048-0](#) [68683-613](#) [MDF7-12DP-2.54DSA](#) [MDF7-18P-2.54DSA\(01\)](#) [MDF7-20DP-2.54DSA](#) [MDF7-26D-2.54DSA\(55\)](#) [MDF7-3P-2.54DSA\(01\)](#) [MDF7B-3P-2.54DSA\(55\)](#) [MDF7C-11P-2.54DSA\(55\)](#) [MDF7C-18P-2.54DSA\(55\)](#) [MDF7C-5P-2.54DSA\(01\)](#) [MDF7P-5P-2.54DSA\(55\)](#) [75234-0516](#) [FCN-230C068-11](#) [FCN-268F012-G/BD](#) [FCN-268F036-G/BD](#) [FCN-268M012-G/0D](#) [FCN-268M024-G/1D](#) [FCN-360C008-C](#) [FCN-360C040-C](#) [FCN-723J004/1](#) [MIS-048-01-F-D-DP-K](#) [832-10-034-10-001000](#) [93696-325LF](#) [11828-1FA](#) [AXK630345P](#) [18097-0013](#) [ICA-328STT](#) [2007042-2](#) [304400-2](#) [FCN-214Q030-G/0](#) [FCN-215Q040-G/0](#) [FCN-230C068-ESA](#) [FCN-234P048-G/0](#) [FCN-235D050-G/C](#) [FCN-360A3](#) [FCN-360C040-B](#) [210-93-314-41-105000](#) [2-22603-0](#) [379-064-521-202](#) [MDF7-12P-2.54DSA\(01\)](#) [MDF7-16P-2.54DS\(56\)](#) [MDF7-40DP-2.54DSA\(55\)](#) [MDF7-8P-2.54DSA\(55\)](#) [MDF7B-16P-2.54DSA\(55\)](#) [AXG720047](#) [5031084030](#)