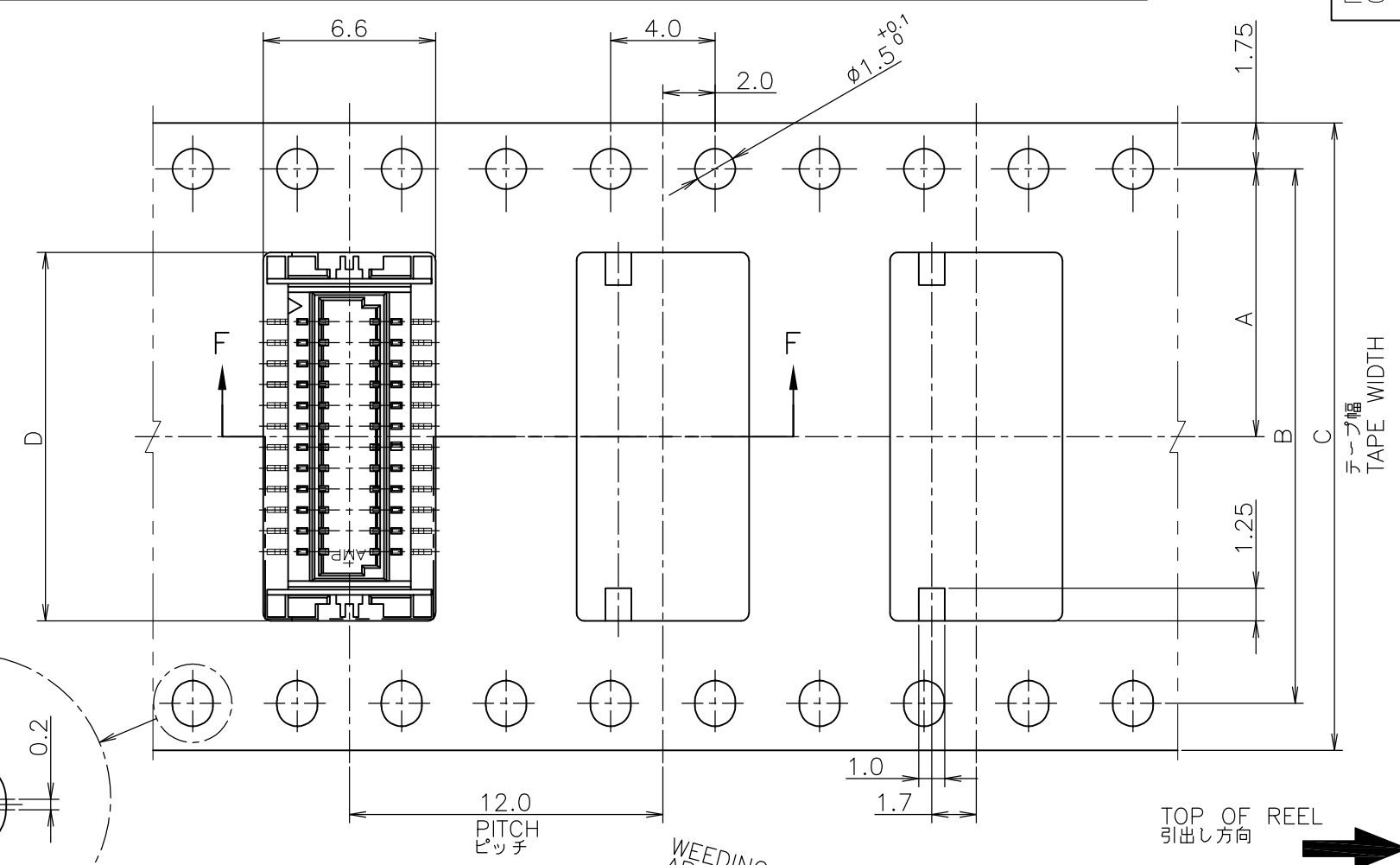


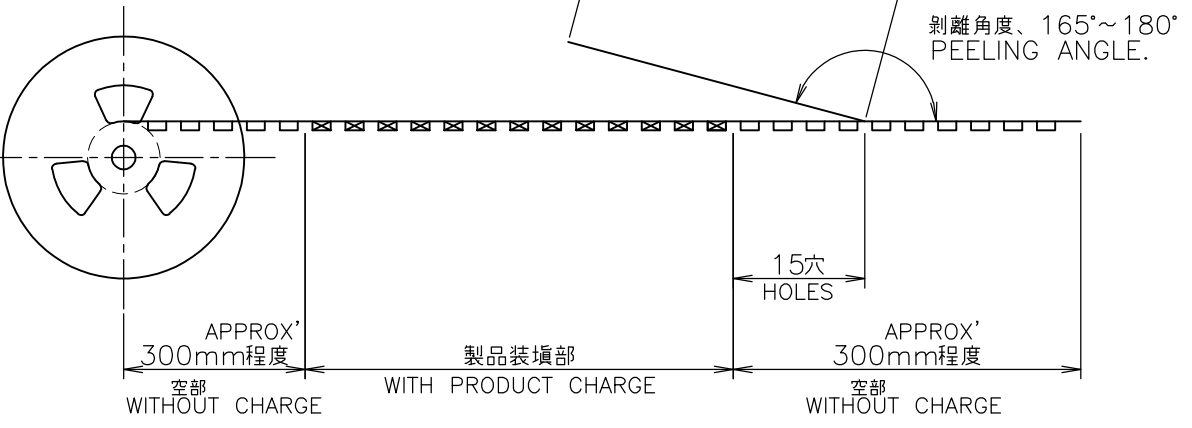
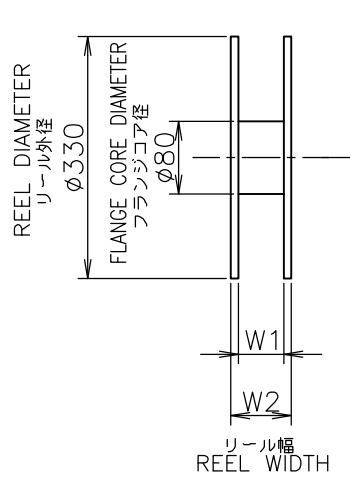
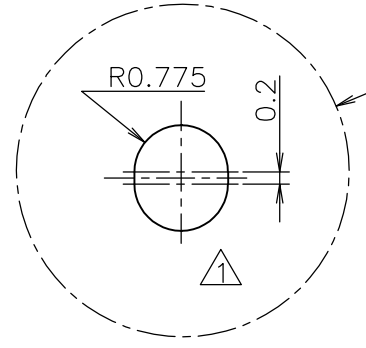
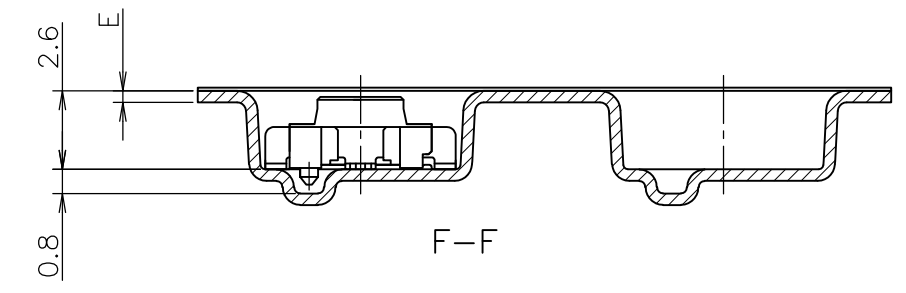
THIS DRAWING IS UNPUBLISHED. RELEASED FOR PUBLICATION FEB, 1994.
 © COPYRIGHT 1994 By - ALL RIGHTS RESERVED.

LOC	DIST	REVISIONS 変更			
P	LTR	DESCRIPTION	DATE	DWN	APVD
ES					
	L2	REVISED PER ECO-11-005694	27OCT2011	B.L	S.Y
	M	ECR-13-012512	09AUG2013	CC	WKH
	M1	ECR-13-018878	24DEC2013	I.T	WKH



AS SHOWN 24POS.

△ 指示穴は40極品以上に適用。
 △ THESE HOLES ARE APPLIED TO 40 POS OR MORE.



WEEDING THE COVER TAPE AROUND THE OUTER PERIPHERY IN A TURN.
 カバーテープリーダー部外周一卷
 剥離角度、165°~180° PEELING ANGLE.

色	W2	W1	E	D	C	B	A	数量 (ヶ) QTY/REEL	極数 POS	リール巻コネクタ型番 TAPING P/N
黒 BLACK	29.5	25.5	0.38	16.5	24	—	11.5	1500	30	3-179397-5
OBSOLETE	49.5	45.5	0.38	24.5	44	40.4	20.2	1500	50	5-179397-0
OBSOLETE	37.5	33.5	—	20.5	32	28.4	14.2	—	40	4-—-0
	—	—	—	16.5	—	—	—	—	30	3-—-0
	29.5	25.5	—	14.1	24	—	11.5	—	24	2-—-4
OBSOLETE	—	—	—	10.9	—	—	—	—	16	1-—-6
OBSOLETE	21.5	17.5	0.38	10.1	—	—	—	—	14	1-—-4
ベージュ BEIGE	22.4	16.4	0.4	9.3	16	—	7.5	1500	12	1-179397-2

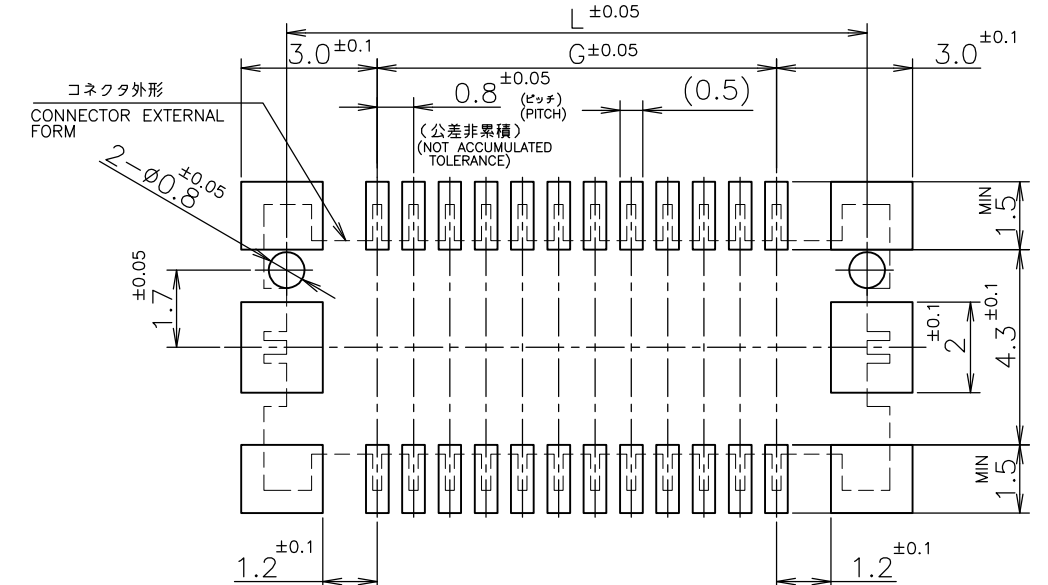
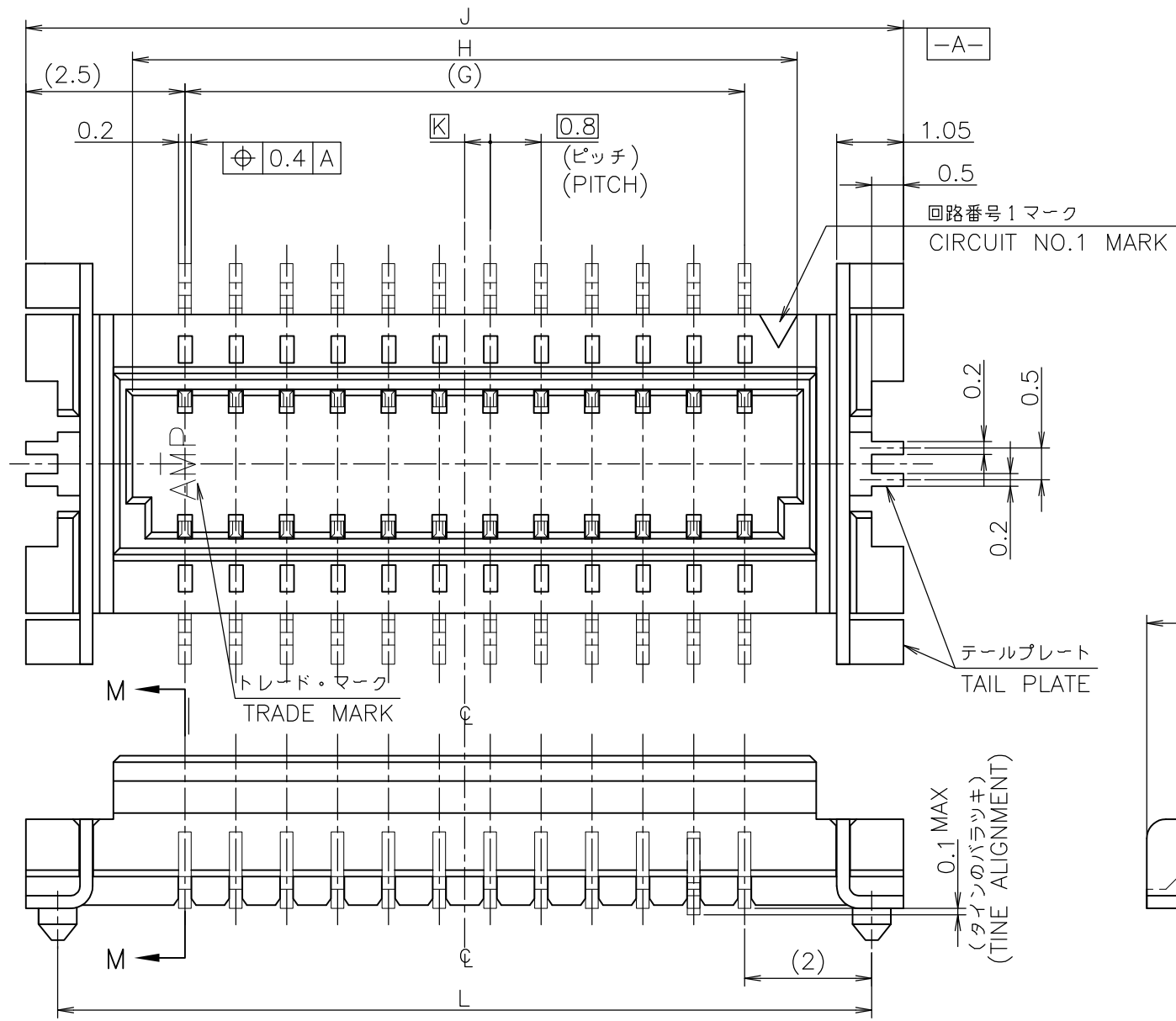
INSTRUCTION SHEET 取扱説明書 411-5654

THIS DRAWING IS A CONTROLLED DOCUMENT.

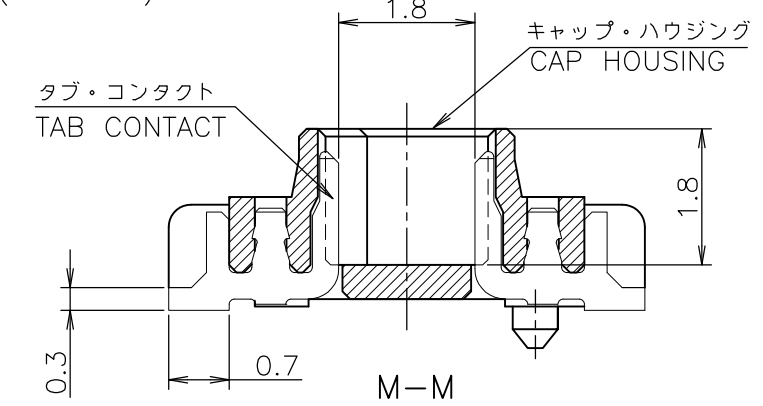
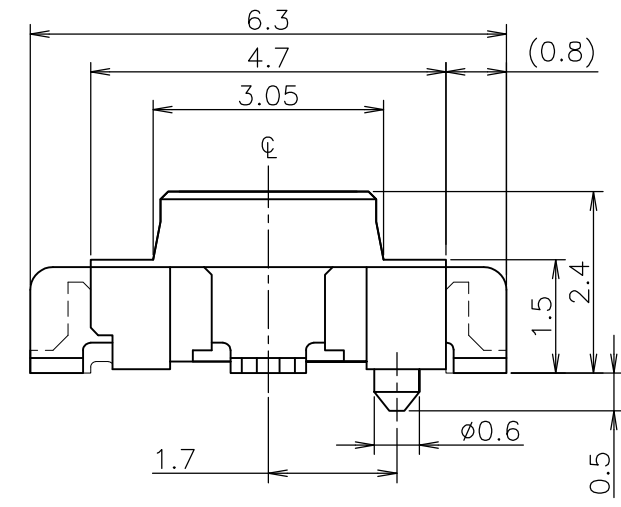
DIMENSIONS: 単位: 耗 mm	TOLERANCES UNLESS OTHERWISE SPECIFIED: 一般公差	DWN K.ASAKAWA 24FEB94	STE TE Connectivity
0 PLC ± 0.2	1 PLC ± 0.2	CHK S.KUBOUCHI 24FEB94	
2 PLC ± 0.2	3 PLC ± 0.2	APVD S.KUBOUCHI 01NOV96	ON TAPING EMBOSS CAP ASSEMBLY WITH BOSS 0.8mm PITCH BOARD TO BOARD CONNECTOR MATING HEIGHT 3.0mm
4 PLC ± 0.2	ANGLES ± 3'	NAME 名称 S.KUBOUCHI	
MATERIAL 材料	FINISH 仕上	PRODUCT SPEC 製品規格 108-5424	SIZE A3
		APPLICATION SPEC 取付適用規格	CAGE CODE 00779
		WEIGHT	DRAWING NO 番号 C-179397
			RESTRICTED TO
		CUSTOMER DRAWING	SCALE 尺度 4:1
			SHEET 1 OF 2
			REV M1

THIS DRAWING IS UNPUBLISHED. RELEASED FOR PUBLICATION FEB, 1994.
 © COPYRIGHT 1994 By - ALL RIGHTS RESERVED.

LOC	DIST	REVISIONS			DATE	DWN	APVD
		P	LTR	DESCRIPTION			
ES		-	-	SEE SHEET 1	-	-	-



参考基板加工寸法 (t=0.6 MIN.)
 REFERENCE P.C. BOARD LAYOUT (SCALE 6:1)



0.241	15.2	—//—	16.2	12.8	11.2	30
0.361	23.2	—//—	24.2	20.8	19.2	50
0.301	19.2	0.4	20.2	16.8	15.2	40
0.241	15.2	—//—	16.2	12.8	11.2	30
0.205	12.8	0.4	13.8	10.4	8.8	24
0.157	9.6	0.4	10.6	7.2	5.6	16
0.145	8.8	—//—	9.8	6.4	4.8	14
0.133	8.0	0.4	9.0	5.6	4.0	12
重量 (g) (WEIGHT)	L	K	J	H	G	極数 (POS)

△ 材料: ハウジング - 6T NYLON (高耐熱性ナイロン)
 ガラス30%, 色: ベージュ
 コンタクト - 燐青銅・錫めっき (0.2t)
 テールプレート - 燐青銅・錫めっき (0.2t)

△ MATERIAL: HOUSING - 6T NYLON (HIGH HEAT-RESISTED NYLON), GF30%,
 COLOR: BEIGE.
 CONTACT - POST-TIN/PHOS-BROZ(0.2t)
 TAIL PLATE - POST-TIN/PHOS-BROZ(0.2t)

THIS DRAWING IS A CONTROLLED DOCUMENT.

DIMENSIONS: 単位: 耗 mm	TOLERANCES UNLESS OTHERWISE SPECIFIED: 一般公差	DWN	 TE Connectivity
	0 PLC ± 0.2	CHK	
	1 PLC ± 0.2	APVD	
	2 PLC ± 0.2	PRODUCT SPEC 製品規格	
MATERIAL 材料 SEE NOTE ② 注 ②参照	FINISH 仕上 SEE NOTE ② 注 ②参照	APPLICATION SPEC 取付適用規格	NAME 名称 ON TAPING EMBOSS CAP ASSEMBLY WITH BOSS 0.8mm PITCH BOARD TO BOARD CONNECTOR MATING HEIGHT 3.0mm
		WEIGHT	SIZE A3
			CAGE CODE 00779
			DRAWING NO G-179397
			RESTRICTED TO
			SCALE 尺度 10:1
			SHEET 2 OF 2
			REV M1

CUSTOMER DRAWING

X-ON Electronics

Largest Supplier of Electrical and Electronic Components

Click to view similar products for [Board to Board & Mezzanine Connectors](#) category:

Click to view products by [TE Connectivity](#) manufacturer:

Other Similar products are found below :

[10135583-642402LF](#) [89885-310LF](#) [589158040000018](#) [6-1393048-0](#) [68683-613](#) [MDF7-12DP-2.54DSA](#) [MDF7-18P-2.54DSA\(01\)](#) [MDF7-20DP-2.54DSA](#) [MDF7-26D-2.54DSA\(55\)](#) [MDF7-3P-2.54DSA\(01\)](#) [MDF7B-3P-2.54DSA\(55\)](#) [MDF7C-11P-2.54DSA\(55\)](#) [MDF7C-18P-2.54DSA\(55\)](#) [MDF7C-5P-2.54DSA\(01\)](#) [MDF7P-5P-2.54DSA\(55\)](#) [75234-0516](#) [FCN-230C068-11](#) [FCN-268F012-G/BD](#) [FCN-268F036-G/BD](#) [FCN-268M012-G/0D](#) [FCN-268M024-G/1D](#) [FCN-360C008-C](#) [FCN-360C040-C](#) [FCN-723J004/1](#) [MIS-048-01-F-D-DP-K](#) [832-10-034-10-001000](#) [93696-325LF](#) [11828-1FA](#) [AXK630345P](#) [18097-0013](#) [ICA-328STT](#) [2007042-2](#) [304400-2](#) [FCN-214Q030-G/0](#) [FCN-215Q040-G/0](#) [FCN-230C068-ESA](#) [FCN-234P048-G/0](#) [FCN-235D050-G/C](#) [FCN-360A3](#) [FCN-360C040-B](#) [210-93-314-41-105000](#) [2-22603-0](#) [379-064-521-202](#) [MDF7-12P-2.54DSA\(01\)](#) [MDF7-16P-2.54DS\(56\)](#) [MDF7-40DP-2.54DSA\(55\)](#) [MDF7-8P-2.54DSA\(55\)](#) [MDF7B-16P-2.54DSA\(55\)](#) [AXG720047](#) [5031084030](#)