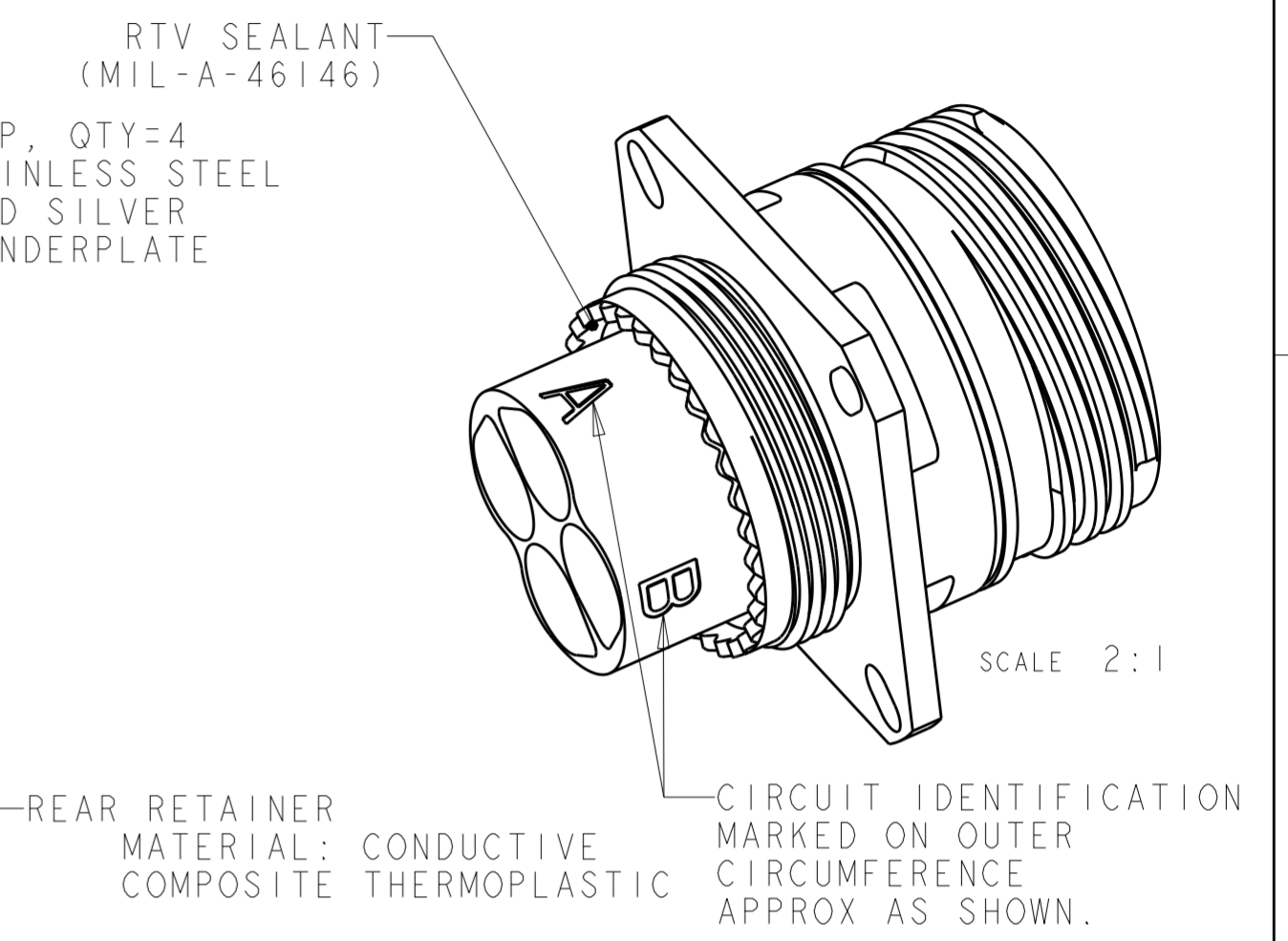
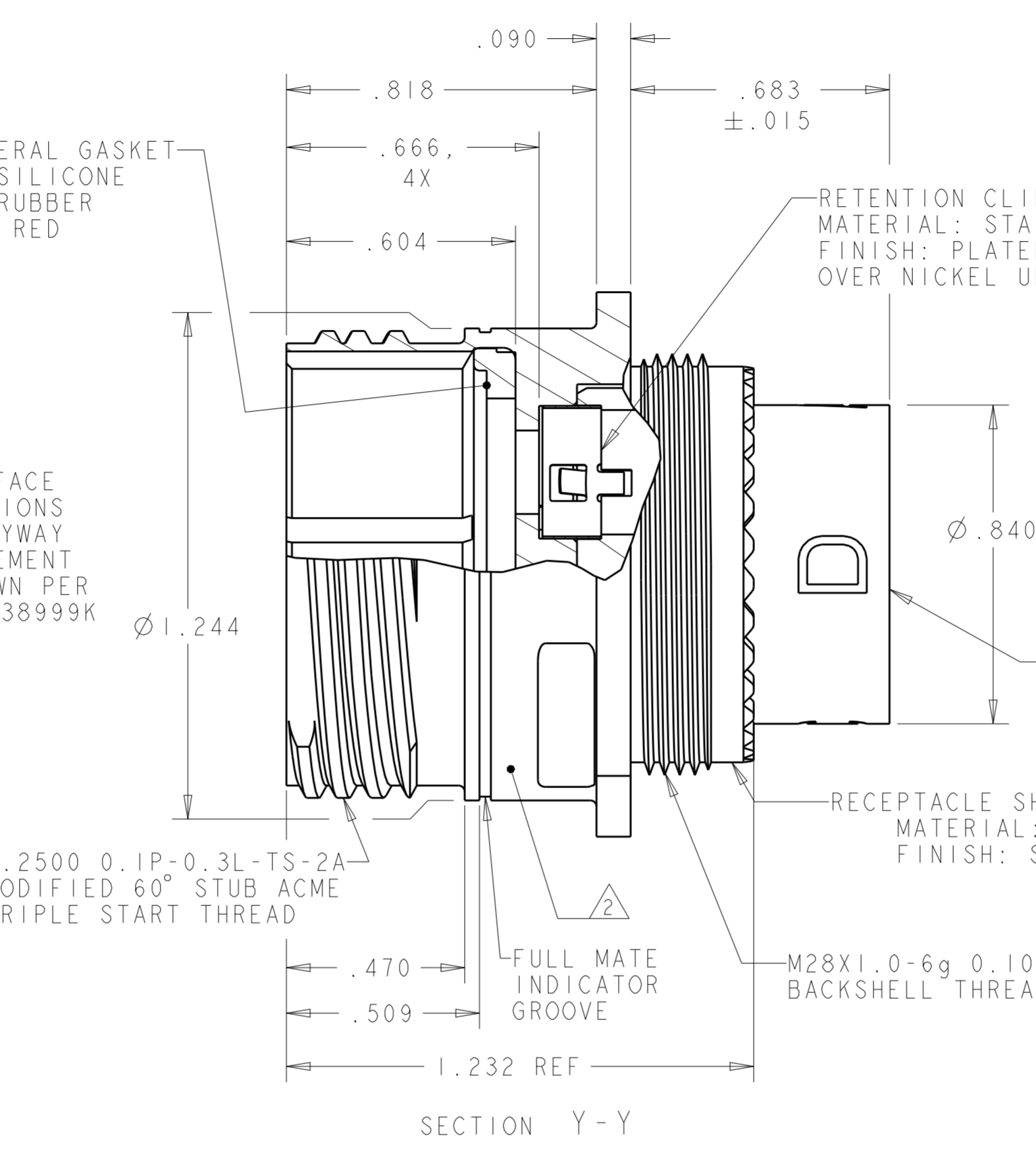
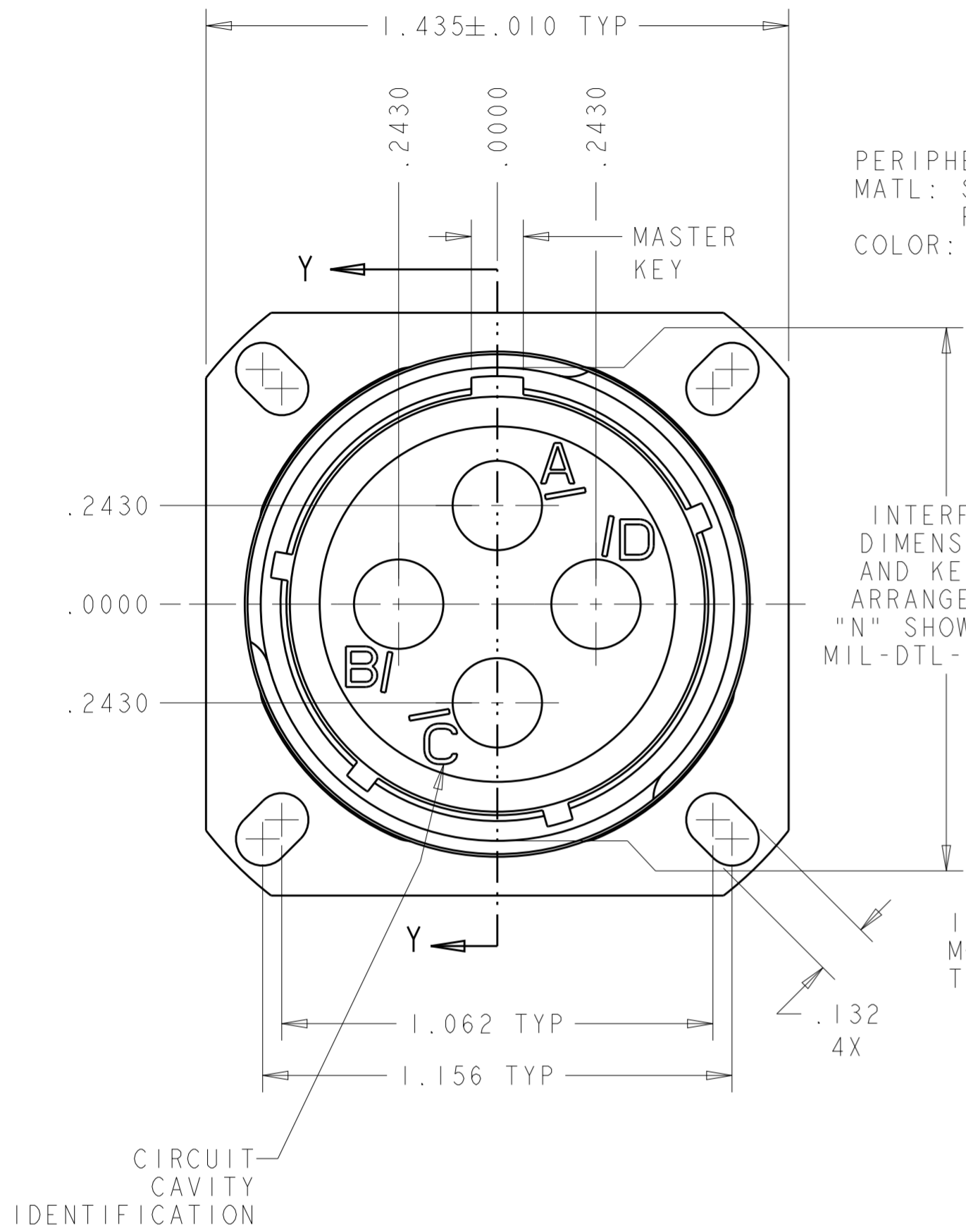


THIS DRAWING IS UNPUBLISHED. RELEASED FOR PUBLICATION 20
 © COPYRIGHT 20 BY - ALL RIGHTS RESERVED.

REVISIONS				
P	LTR	DESCRIPTION	DATE	APVD
F		REV PER ECO 16-013700	9-21-16	CT DM



- THIS CONNECTOR ACCEPTS TE CONNECTIVITY QUADRAX PIN ASSEMBLY; PART NUMBER 1445692-3 or 1877039-2.
- PART IS MARKED WITH TE CONNECTIVITY PART NO. (SEE TABLE), TE CONNECTIVITY LOGO OR TE, TE CAGE CODE, AND DATE CODE.
- OPERATING TEMPERATURE RANGE: -65°C TO +125°C (-85°F TO +257°F).
- QUADRAX PIN ASSEMBLY, 1445692-3 SHOWN FOR REF ONLY
 -1, -2, -3, -10, -11, -12, -13, 14, & 15: CONTACT PROVIDED UN-ASSEMBLED
 -7, -8, & -9 : CONTACT SOLD SEPARATELY
- THE CONNECTOR QUALIFICATION WAS COMPLETED PER TEC 108-2199. THE QUADRAX CONTACTS ARE QUALIFIED PER TEC 108-2131. THE REFERENCE TEST REPORTS ARE TEC 501-660 FOR THE CONNECTOR AND 501-574 FOR THE CONTACTS WHICH ARE SAME AS ARINC 600-13, DRAFT 2 OF SUPPLEMENT 14 (AIR TRANSPORT AVIONICS EQUIPMENT INTERFACES).

OLIVE DRAB	-	B	1-1811901-8
OLIVE DRAB	-	A	1-1811901-7
OLIVE DRAB	-	N	1-1811901-6
NICKEL	1877039-2	B	1-1811901-5
NICKEL	1877039-2	A	1-1811901-4
NICKEL	1877039-2	N	1-1811901-3
OLIVE DRAB	1445692-3	B	1-1811901-2
OLIVE DRAB	1445692-3	A	1-1811901-1
OLIVE DRAB	1445692-3	N	1-1811901-0
NICKEL	-	B	1811901-9
NICKEL	-	A	1811901-8
NICKEL	-	N	1811901-7
NICKEL	1445692-3	B	1811901-3
NICKEL	1445692-3	A	1811901-2
NICKEL	1445692-3	N	1811901-1
SHELL FINISH	QUADRAX CONTACT QTY=4	SHELL KEYING ARRANGEMENT	PART NUMBER

THIS DRAWING IS A CONTROLLED DOCUMENT. DWN R FLAIG 02AUG2005
 CHK L OH 02AUG2005
 APVD L OH 02AUG2005

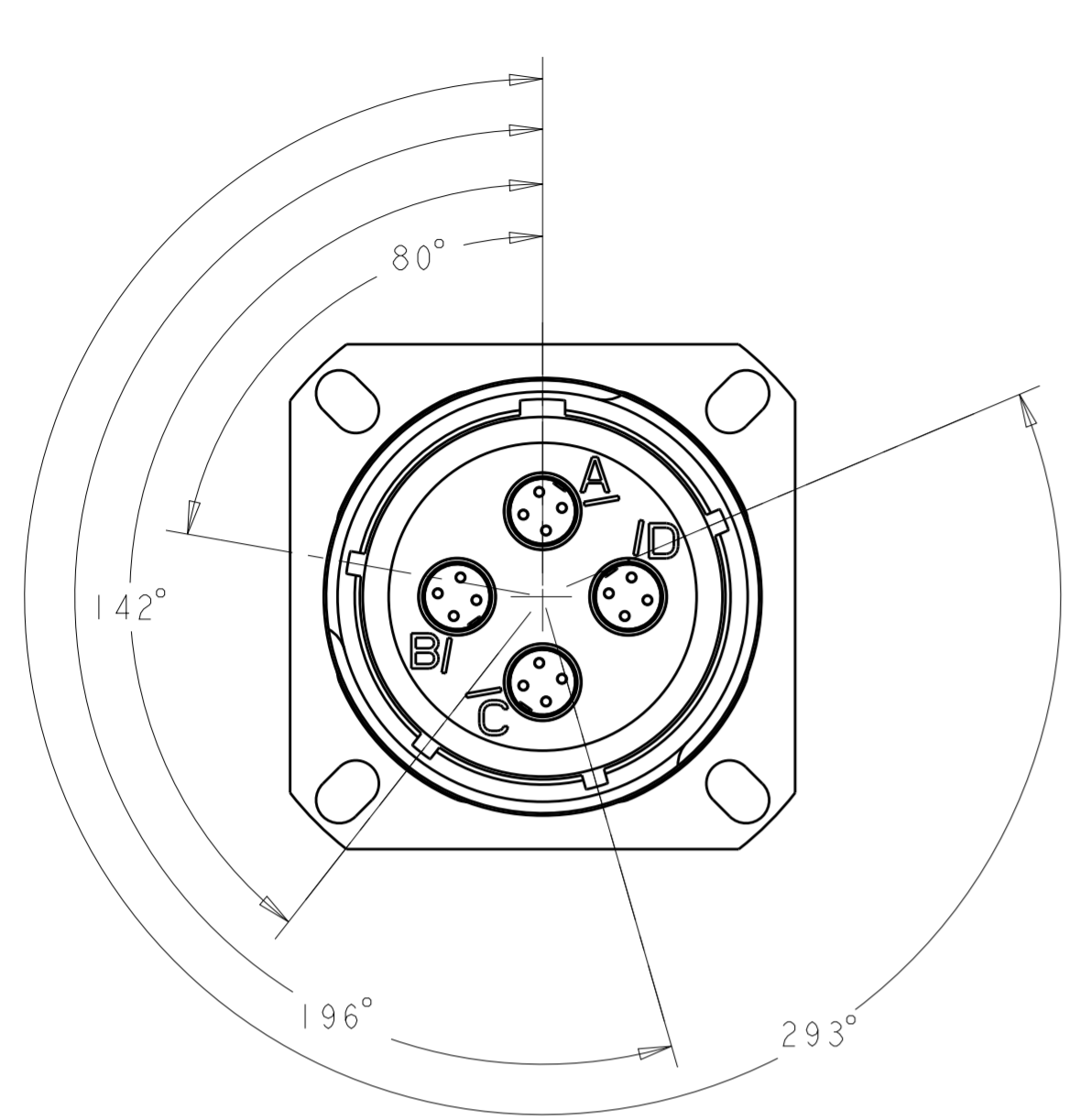
TE Connectivity

ASSY, RECEPTACLE, SIZE 19, 404, M38999 STYLE

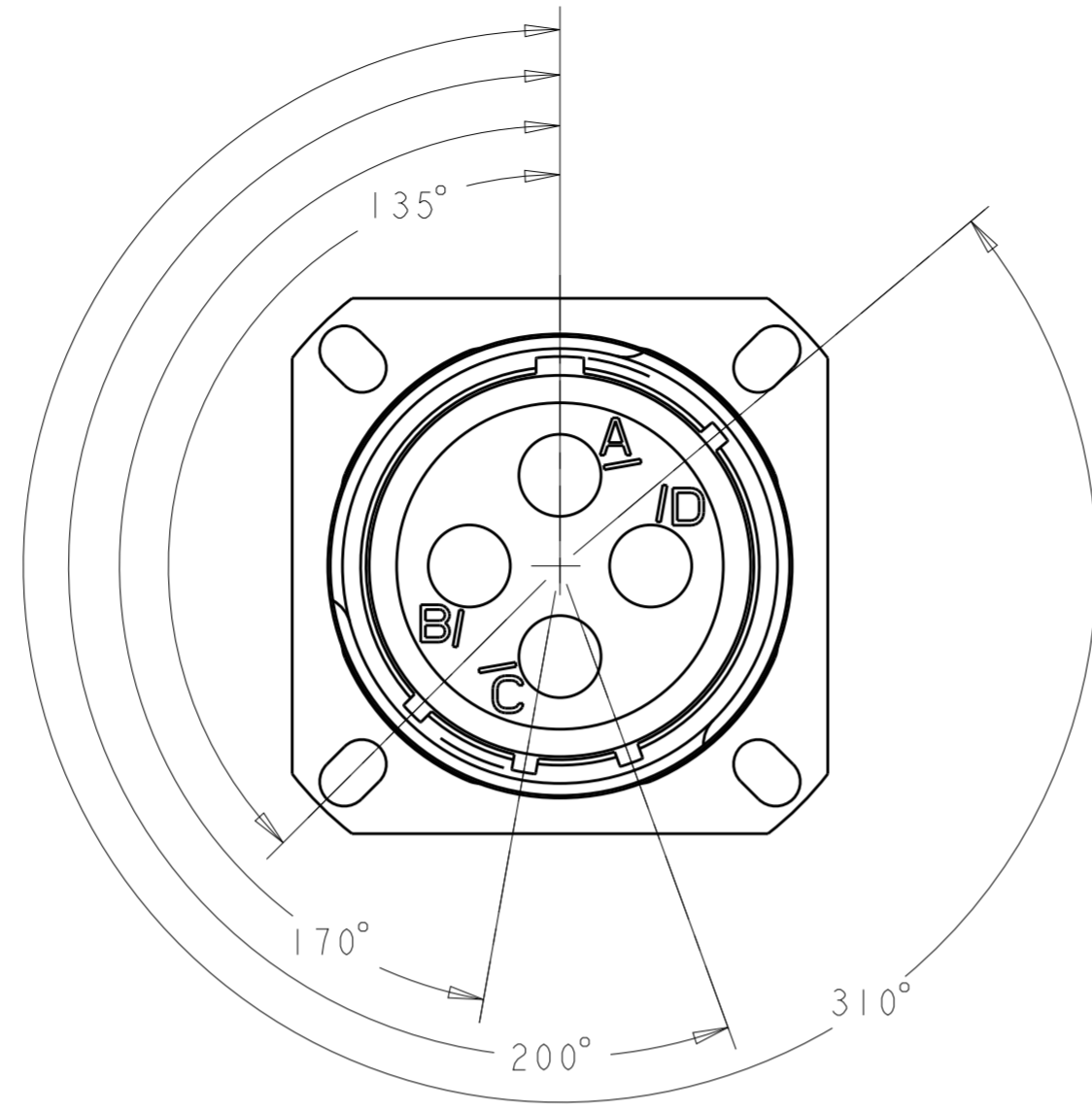
SIZE A2 CAGE CODE - DRAWING NO C-1811901 RESTRICTED TO -
 CUSTOMER DRAWING SCALE 3:1 SHEET 1 OF 2 REV F

THIS DRAWING IS UNPUBLISHED. RELEASED FOR PUBLICATION 20
 © COPYRIGHT 20 BY - ALL RIGHTS RESERVED.

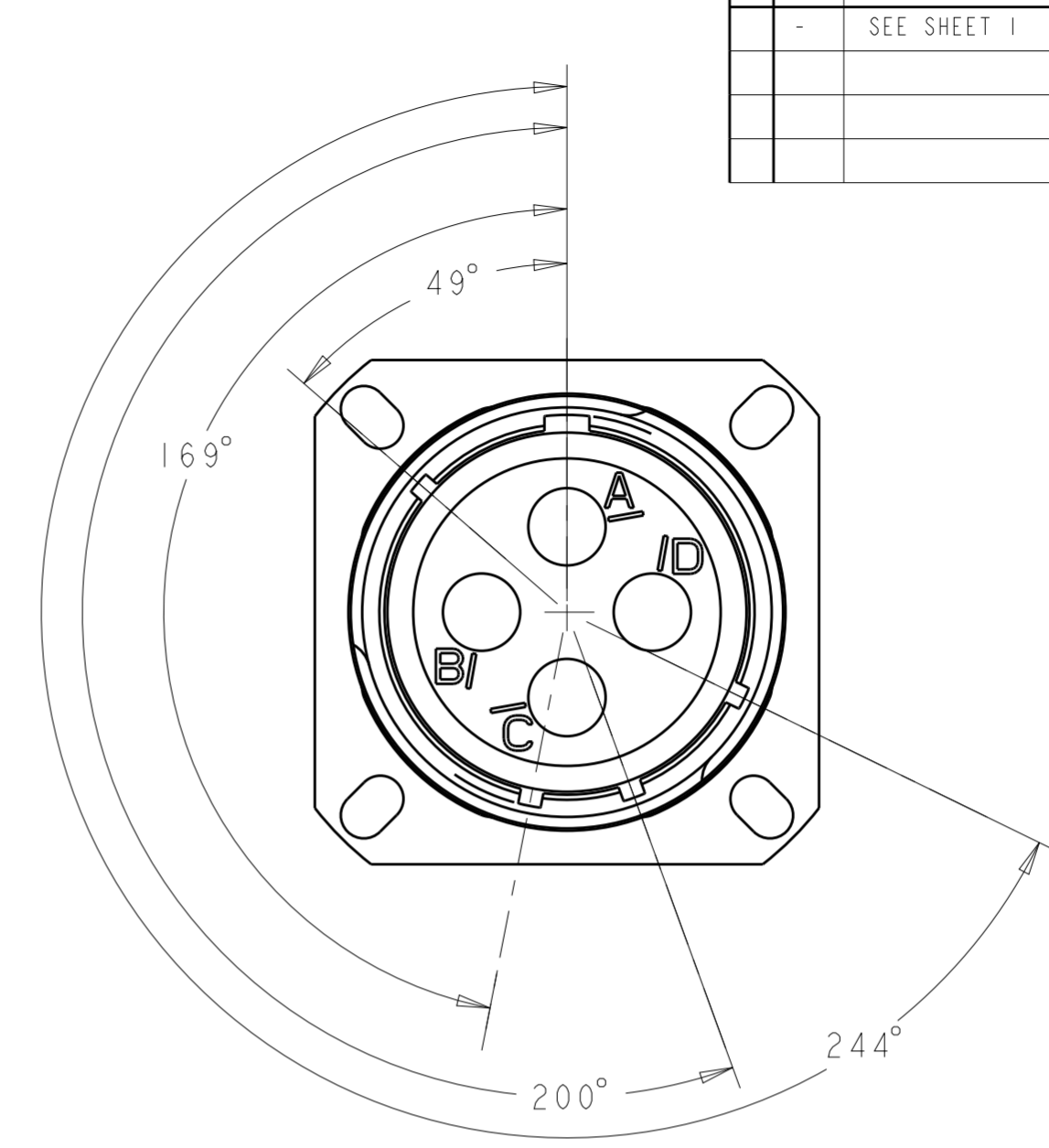
REVISIONS				
P	LTR	DESCRIPTION	DATE	APVD
-	-	SEE SHEET 1	-	-



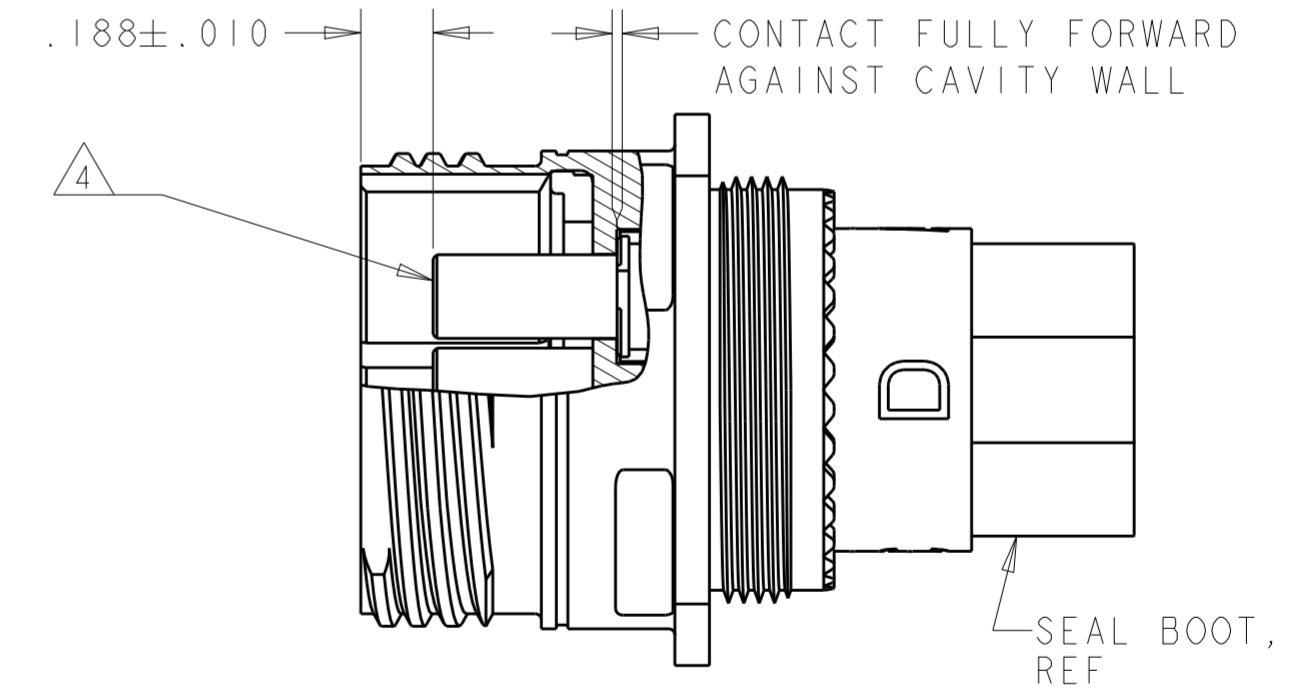
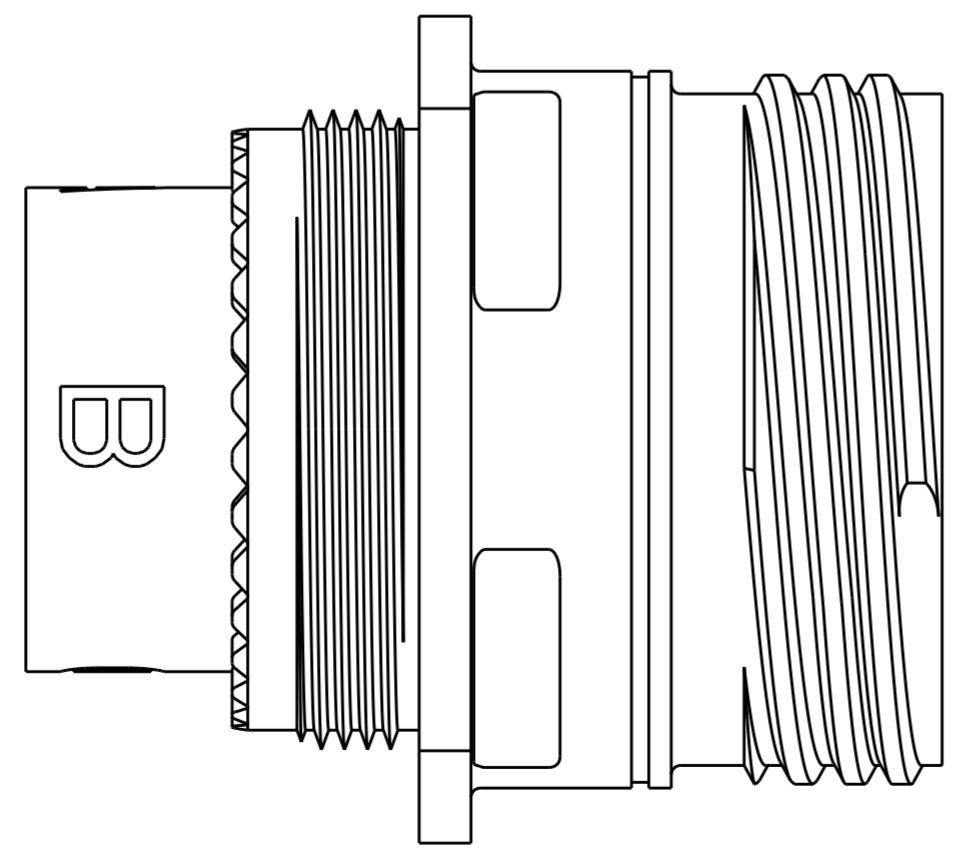
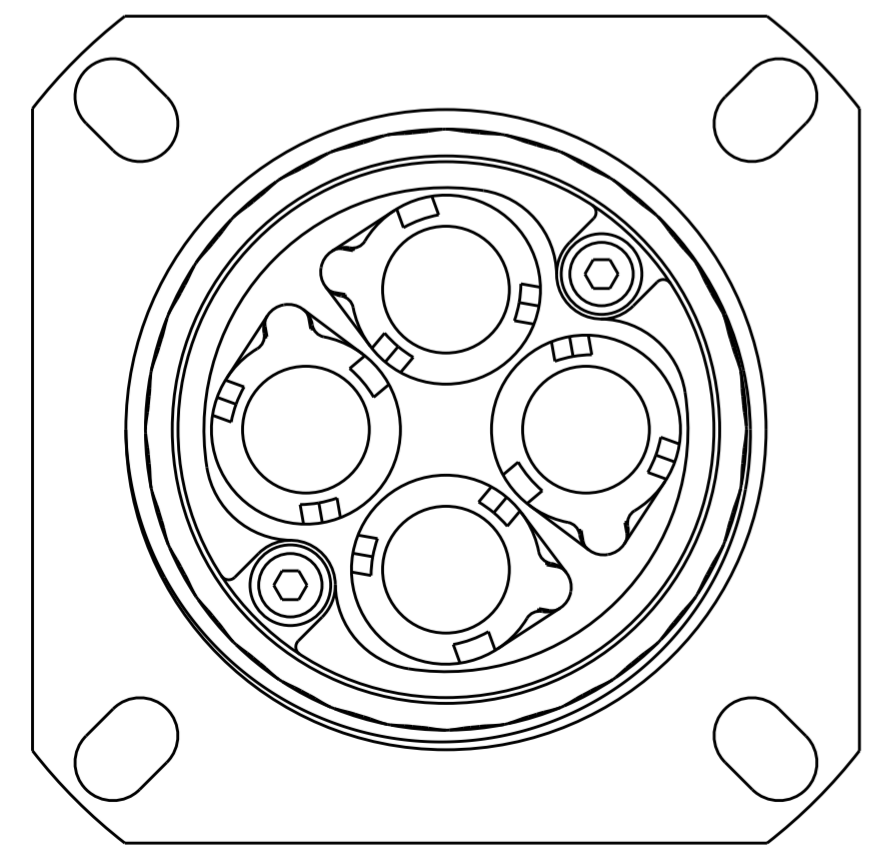
1811901-1
"N" POLARIZATION



1811901-2
"A" KEY POLARIZATION



1811901-3
"B" KEY POLARIZATION



SECTION Y-Y
SCALE 2:1

THIS DRAWING IS A CONTROLLED DOCUMENT.		DWN R FLAIG	02AUG2005	TE Connectivity	
DIMENSIONS: INCHES		CHK L OH	02AUG2005		
TOLERANCES UNLESS OTHERWISE SPECIFIED:		APVD L OH	02AUG2005		
0 PLC ±.1 1 PLC ±.01 2 PLC ±.005 3 PLC ±.0020 4 PLC ±.0020 ANGLES ±1° FINISH		PRODUCT SPEC	-		
MATERIAL	-	APPLICATION SPEC	-	NAME	ASSY, RECEPTACLE, SIZE 19, 404, M38999 STYLE
-		WEIGHT	-	SIZE	A2
-		CUSTOMER DRAWING	-	CAGE CODE	-
-		SCALE	3:1	DRAWING NO	G-1811901
-		SHEET	2 OF 2	RESTRICTED TO	-
-		REV	F		

X-ON Electronics

Largest Supplier of Electrical and Electronic Components

Click to view similar products for [Circular MIL Spec Connector](#) category:

Click to view products by [TE Connectivity](#) manufacturer:

Other Similar products are found below :

[89075GULPR](#) [0025-262-542](#) [0025-264-3014](#) [58-570121-04S](#) [0134-213-1208](#) [0134-213-2209](#) [0025-258-000](#) [60-042022-07P](#) [60-042022-19P](#)
[60-042022-23P](#) [60-042217-10P](#) [60-042217-11P](#) [0114-201-1278](#) [012-0467-000](#) [602GB06EG24-61SN](#) [0134-201-1207](#) [0134-213-1006](#) [6104-](#)
[207-2302](#) [6104-208-1902](#) [61-168211-04P](#) [61-168617-10P](#) [6131-202-19149P](#) [6131-204-21149P](#) [6131-208-13149P](#) [6131-209-17149P](#) [6131-](#)
[210-11149P](#) [6131-211-19149P](#) [6131-216-19149P](#) [6131-259-21149P](#) [6131-259-23149P](#) [6131-265-17149P](#) [6131-265-19149P](#) [CS3100A18-1P-](#)
[472](#) [CS3100A-36-77P](#) [CS3101A-16-55P](#) [CS3102A-10SL-55P](#) [CS3102A-14S-58P](#) [CS3102A-18-1P116](#) [CS3102A-32-17P](#) [CS3102A32-25S](#)
[CS3102C18-4P-472](#) [CS3106A10SL3S004](#) [CS3106A-18-73S](#) [CS3108A-14S-52S](#) [CS3108A-28-51S](#) [6162-233-1277](#) [6162-324-1231](#)
[M243082296Z](#) [M2884010AC1S1](#) [CT0-24-10SC](#)