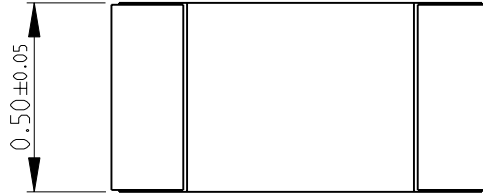
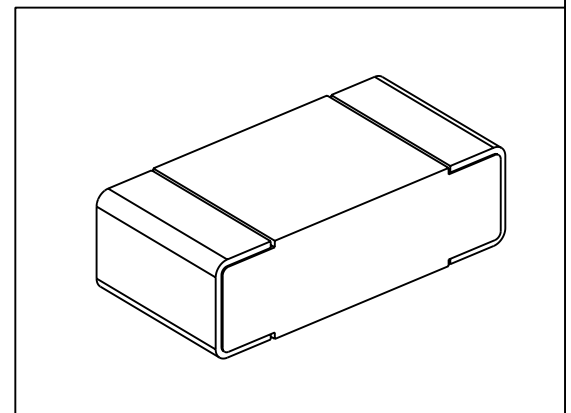


| LOC | DIST | REVISIONS | | | |
|-----|------|-------------|---------------------------|-----------|-----------|
| P | LTR | DESCRIPTION | DATE | DWN | APVD |
| E | B | BA1 | REVISED PER ECO-11-005150 | 29MAR2011 | RK HMR |

FOR FURTHER INFORMATION SEE DATA SHEET FOR
CPF SERIES-THIN FILM PRECISION CHIP RESISTORS



RoHS Compliant



2008


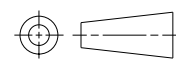
RELEASED FOR PUBLICATION

ALL RIGHTS RESERVED.

BY -

© COPYRIGHT 2008

THIS DRAWING IS UNPUBLISHED.

| | | | | | | |
|---|------------------|-----------|--|-----------|------------|---------------|
| DIMENSIONS: mm | DWN | 27-Sep-08 | MATERIAL | - | FINISH | - |
| | CHK | 27-Sep-08 |  TE Connectivity | | | |
| TOLERANCES UNLESS OTHERWISE SPECIFIED: | APVD | 27-Sep-08 | | | | |
| 0 PLC ± 0.2 | STEPHEN.P | | NAME THIN FILM PRECISION CHIP RESISTORS SERIES CPF 0402 | | | |
| 1 PLC ± 0.1 | PRODUCT SPEC | - | | | | |
| 2 PLC ± - | APPLICATION SPEC | - | SIZE | CAGE CODE | DRAWING NO | RESTRICTED TO |
| 3 PLC ± - | | | A 4 | 00779 | ©- 1879208 | - |
| 4 PLC ± - | | | CUSTOMER DRAWING | | | |
| ANGLES ± 5° | WEIGHT | - | SCALE | 50:1 | SHEET | 1 OF 1 |
|  | | | | | | REV BA1 |

X-ON Electronics

Largest Supplier of Electrical and Electronic Components

Click to view similar products for [Thin Film Resistors - SMD category](#):

Click to view products by [TE Connectivity manufacturer](#):

Other Similar products are found below :

[7-2176089-6](#) [MCW0406MD1001DP500](#) [FCR1206J22R](#) [FCR1206J33R](#) [1-2176090-3](#) [1-2176089-6](#) [ERA-3EEB2742V](#)
[NCSR250F4M50DTRGF](#) [2176089-1](#) [2176090-4](#) [2176091-3](#) [CMB02070X3000GB200](#) [CPA2512Q6R80FS-T10](#) [4-1625868-7](#) [5-1625868-9](#) [5-18022-5](#) [ERA-3EEB2671V](#) [CFR0W4J0220A2P](#) [P1206Y1804FNTA](#) [CPA2512E68R0FS-T10](#) [CPA2512Q4R70FS-T10](#) [8-2176091-9](#) [2-2176091-0](#) [NCSR150FR003DTRT3F](#) [NTR06B5832CTRF](#) [NCSR200JR002DTRF](#) [RSJ372NL](#) [NRC-S12F4751TRF](#) [8-1625868-1](#) [1-2176092-4](#) [4-2176093-9](#) [2176091-9](#) [RT1220P-101-M](#) [PLTU0805U1003LST5](#) [PLTU0603U2001LST5](#) [PLTU0805U1001LST5](#) [PLTU0603U4702LST5](#) [4-2176089-0](#) [8-2176091-0](#) [6-2176091-8](#) [3-2176090-3](#) [1-2176092-7](#) [7-2176092-6](#) [7-2176088-7](#) [PCNM2512E1502BST5](#) [2-2176094-5](#) [PCNM2512E3012BST5](#) [4-2176092-6](#) [3-2176091-4](#) [8-2176091-5](#)