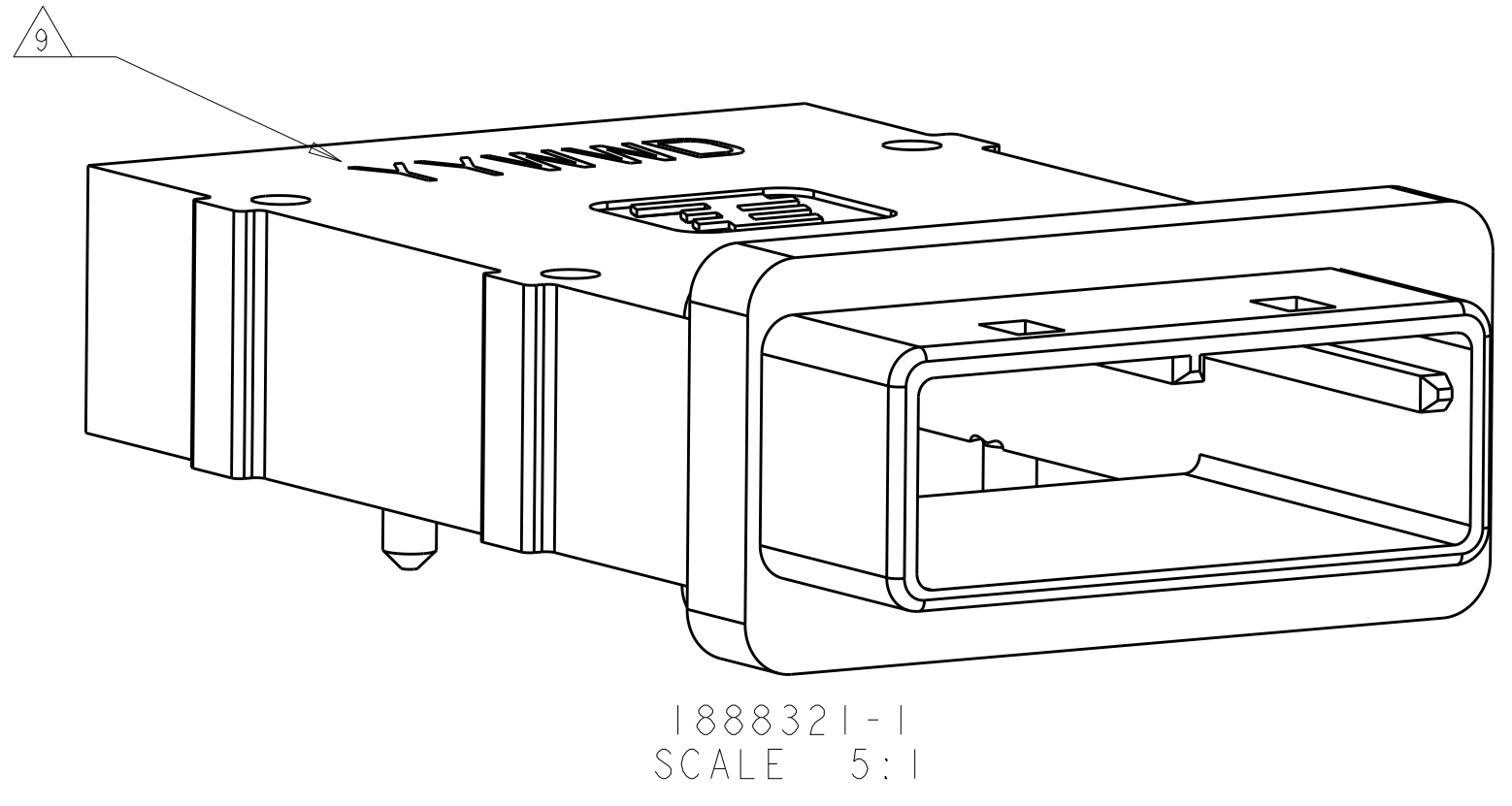
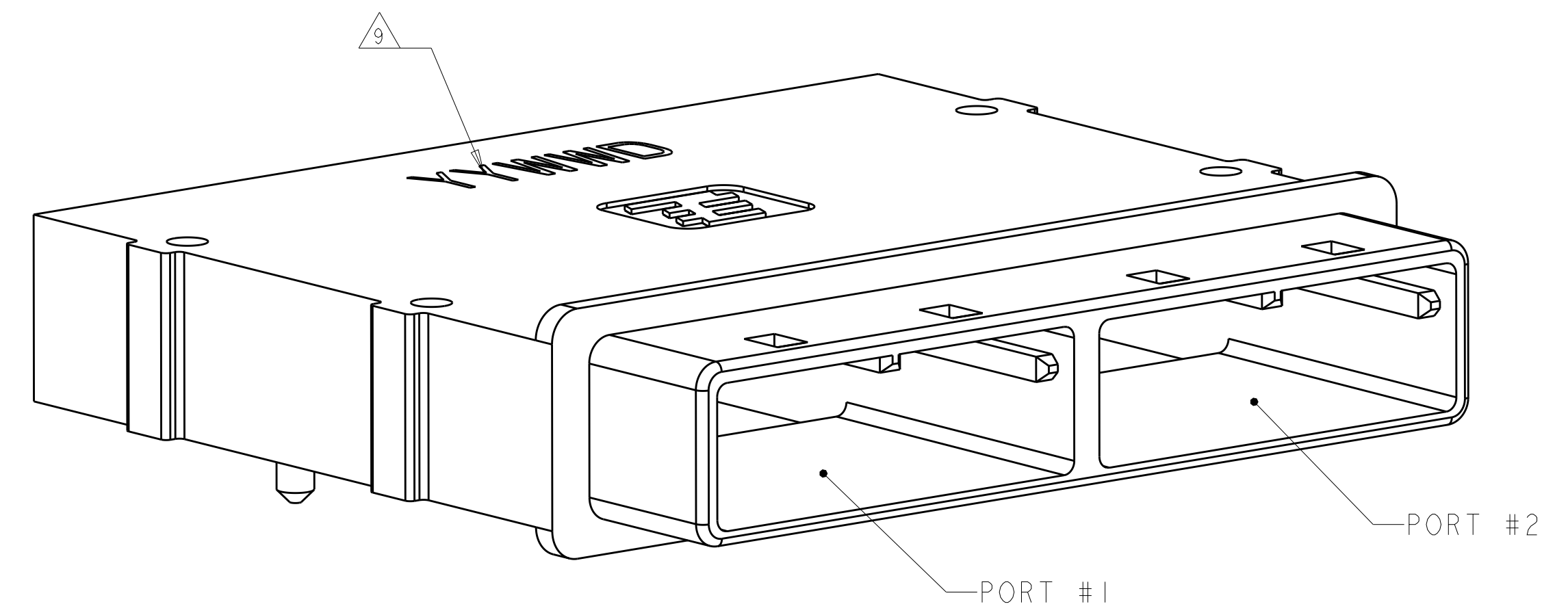


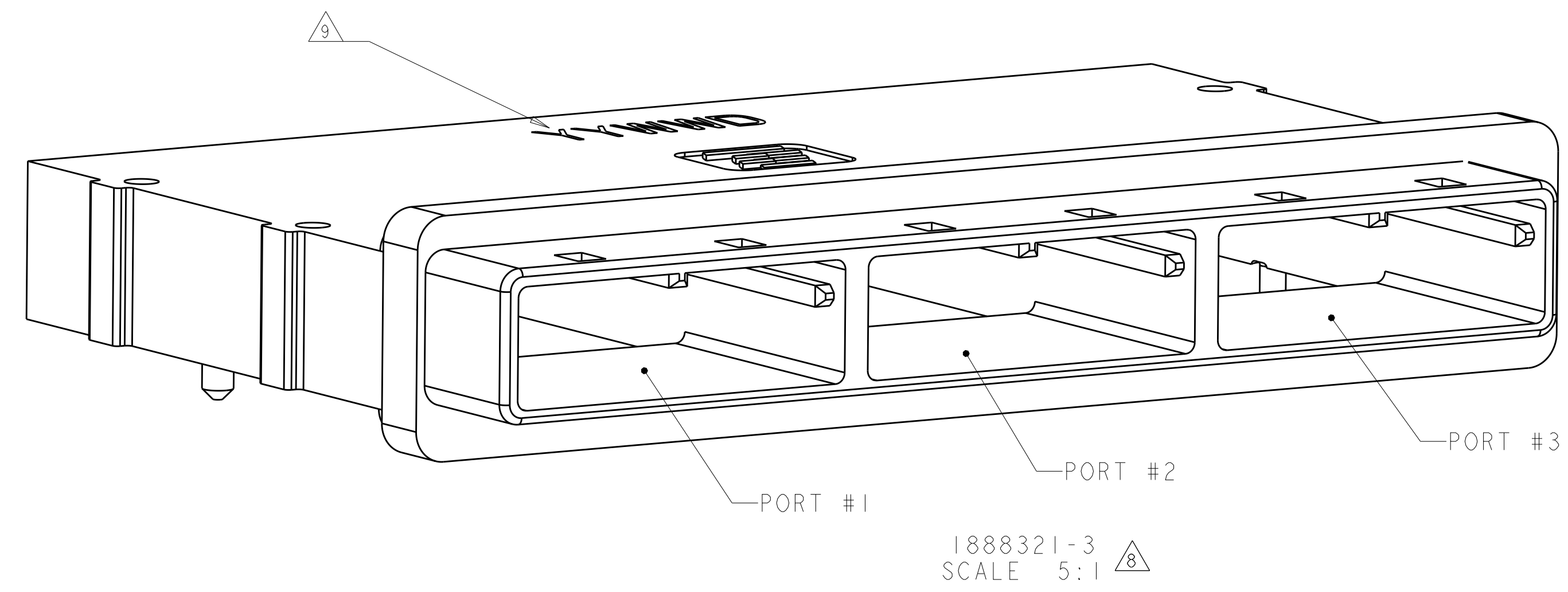
LOC		DIST		REVISIONS			
P	LTN	DESCRIPTION	DATE	DWN	APVD		
A2		REVISED PER ECO-11-004835	11MAR2011	RK	HMR		
B		REVISED PER ECO-12-014113	02AUG2012	JY	AC		
C		REVISED PER ECO-12-019905	04DEC2012	CJV	DLG		



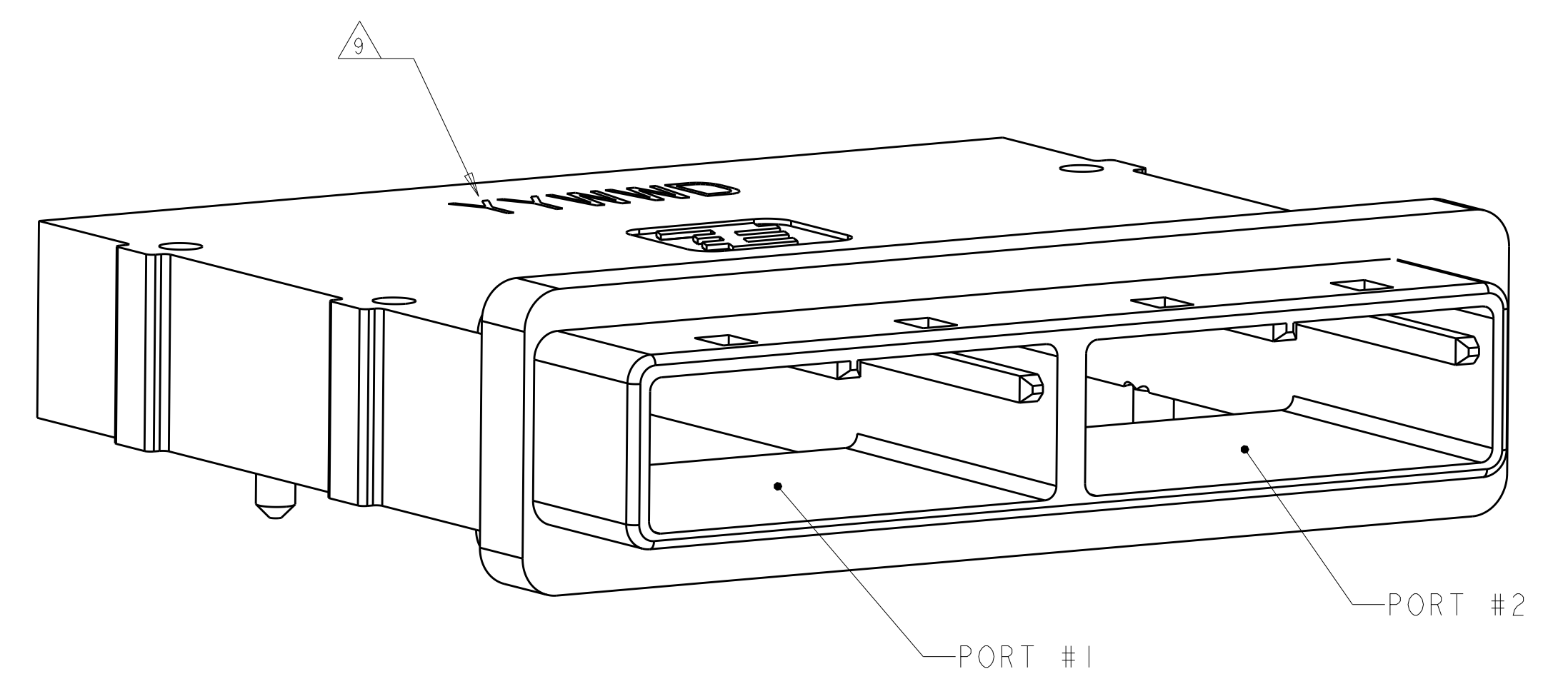
1888321-1
SCALE 5:1



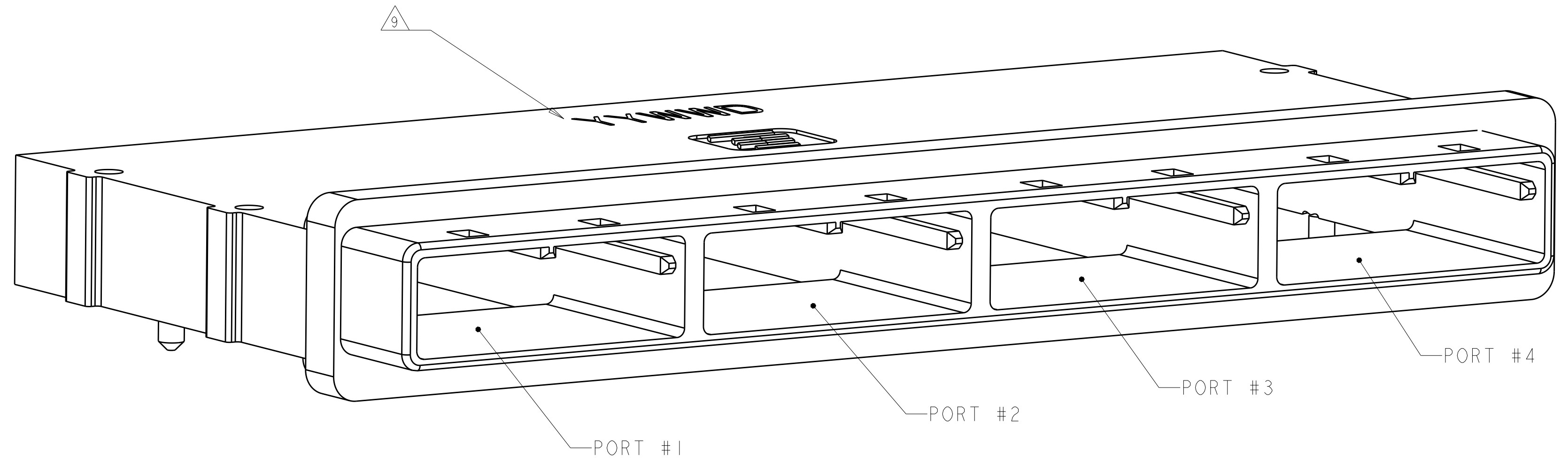
2-1888321-2
NO GASKET
SCALE 5:1



1888321-3
SCALE 5:1



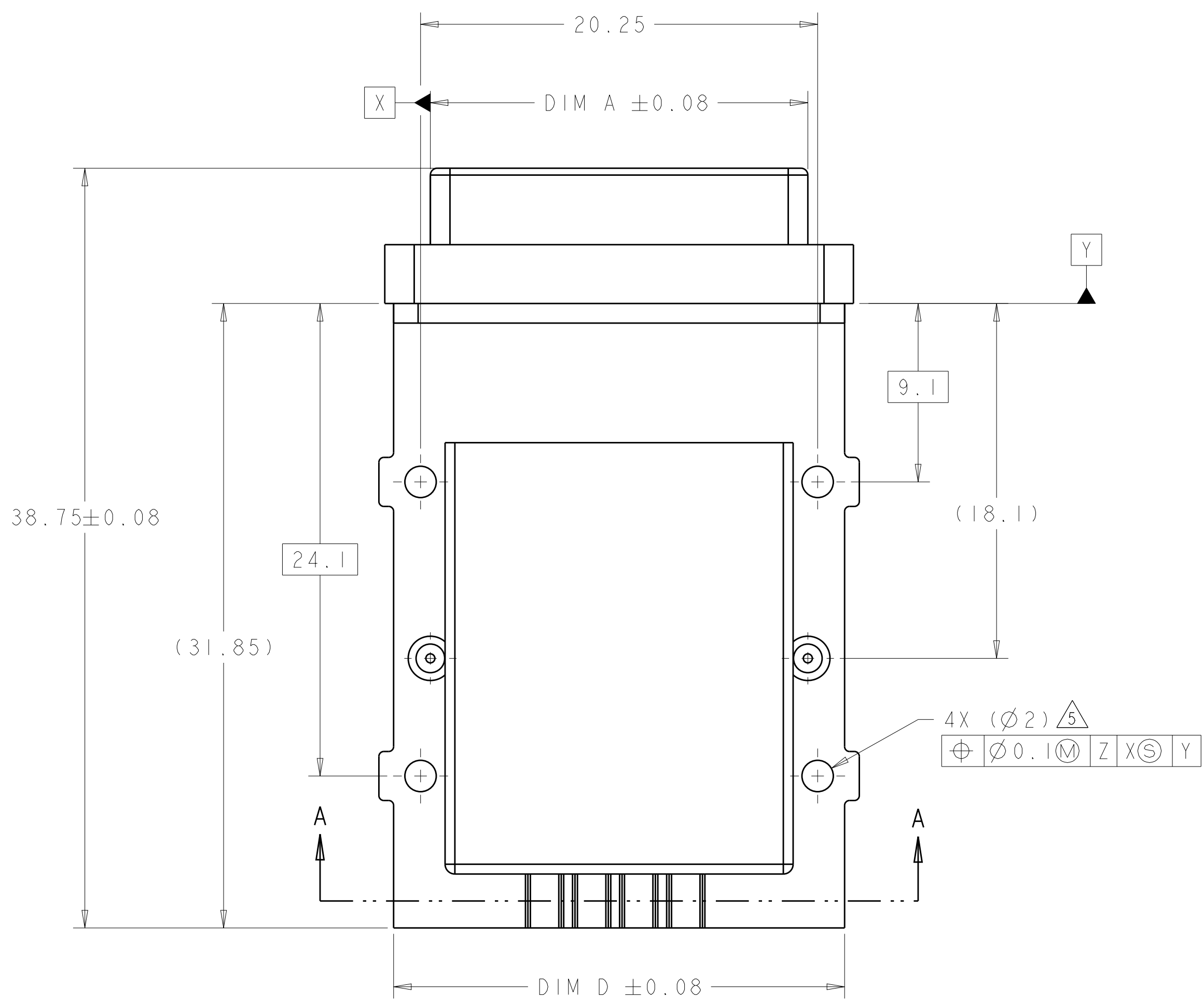
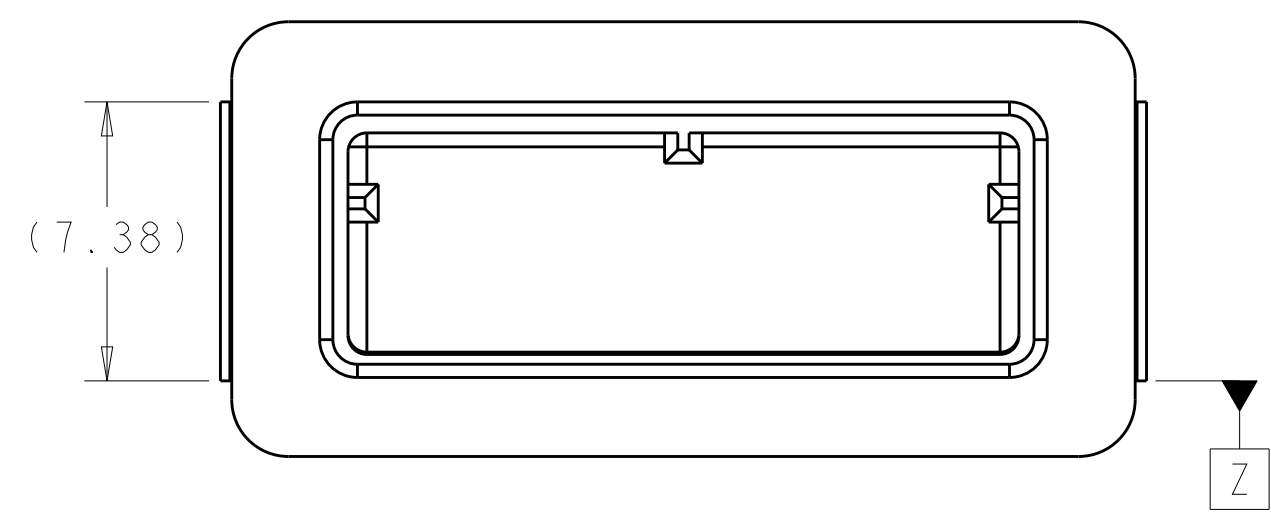
1888321-2
SCALE 5:1



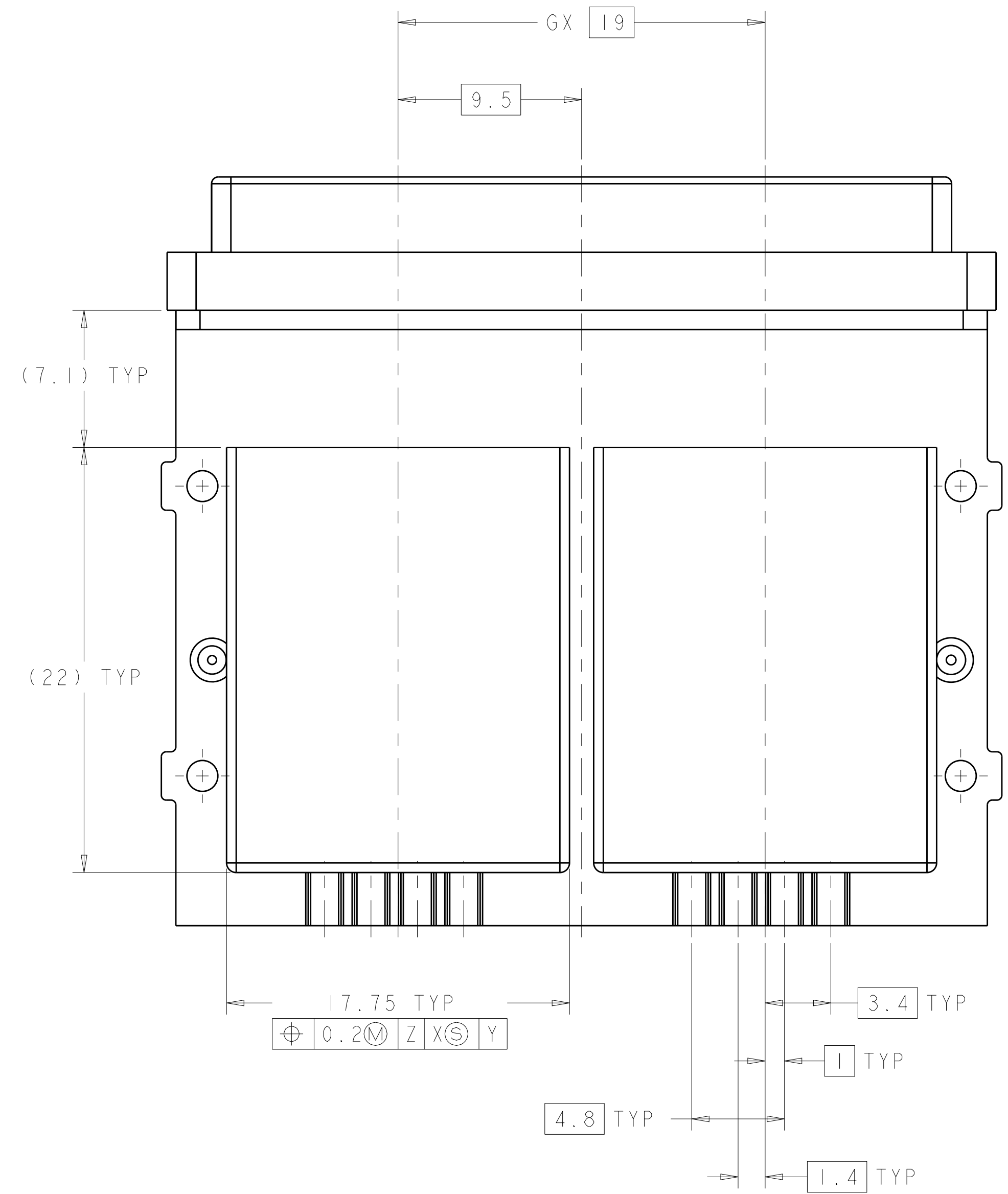
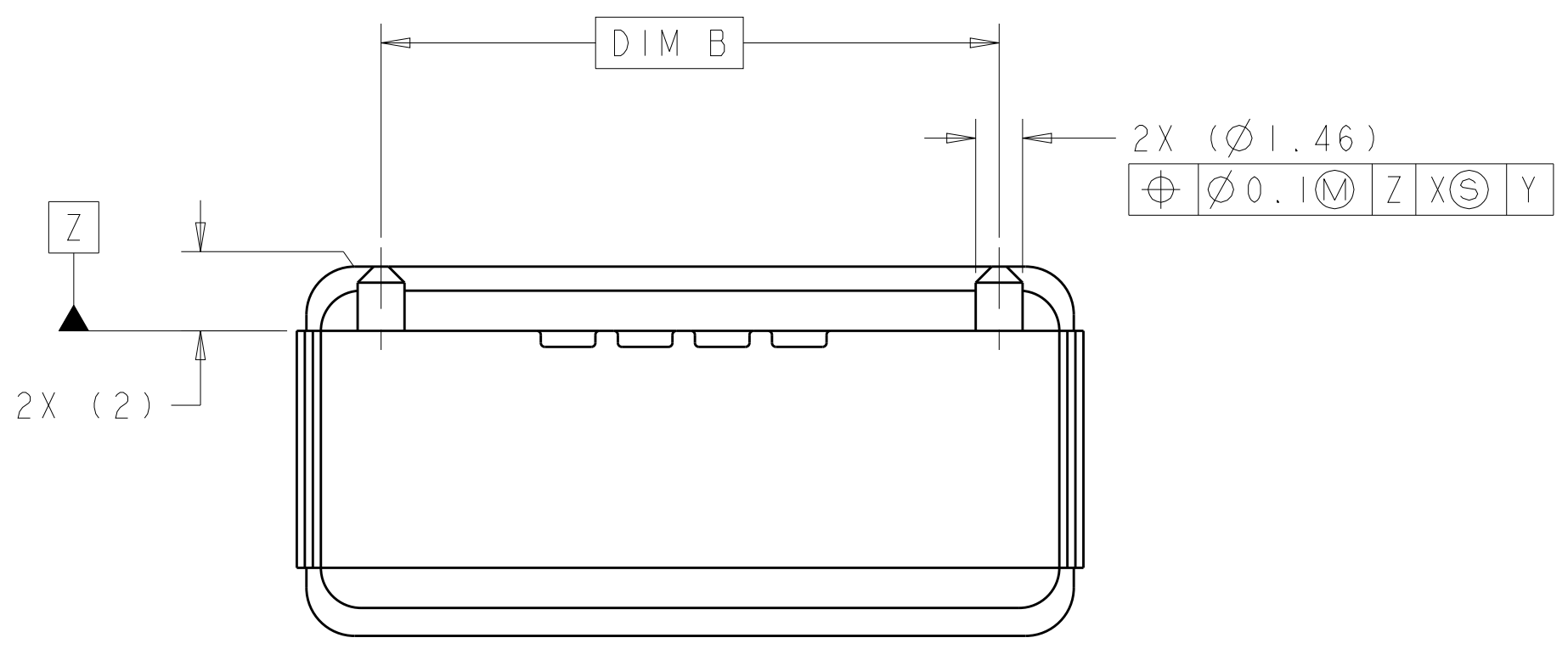
1888321-4
SCALE 5:1

THIS DRAWING IS A CONTROLLED DOCUMENT. DIMENSIONING AND TOLERANCING PER ASME Y14.5M-2009.		DWN: J. POLIGNONE CHK: D. GORENC APVD: D. GORENC	01AUG07 01AUG07 01AUG07	TE Connectivity NAME: EVERCLEAR Mini-SAS EXTERNAL RECEPTACLE SHELL ASSEMBLY
DIMENSIONS: mm	TOLERANCES UNLESS OTHERWISE SPECIFIED:	PRODUCT SPEC	APPLICATION SPEC	
0 PLC ± 1 PLC ± 2 PLC ± 3 PLC ± 4 PLC ± ANGLES ±	± ± ± ± ±	WEIGHT	Customer Drawing	SIZE: A1 CAGE CODE: 100779 DRAWING NO: 1888321 SCALE: 5:1 SHEET 1 OF 4 REV C

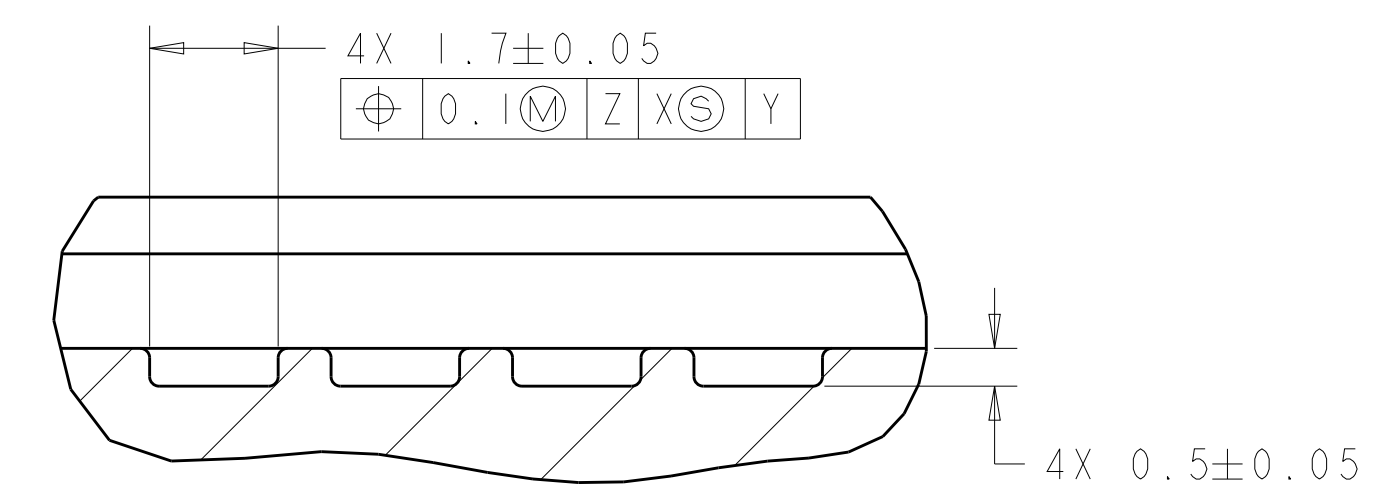
LOC	DIST	REVISIONS					
GP	00	P	LTN	DESCRIPTION	DATE	DWN	APVD
		-		SEE SHEET 1			



RECOMMENDED SINGLE PORT LAYOUT
 SAME AS 1888321-1 EXCEPT AS SHOWN
 SCALE 5:1



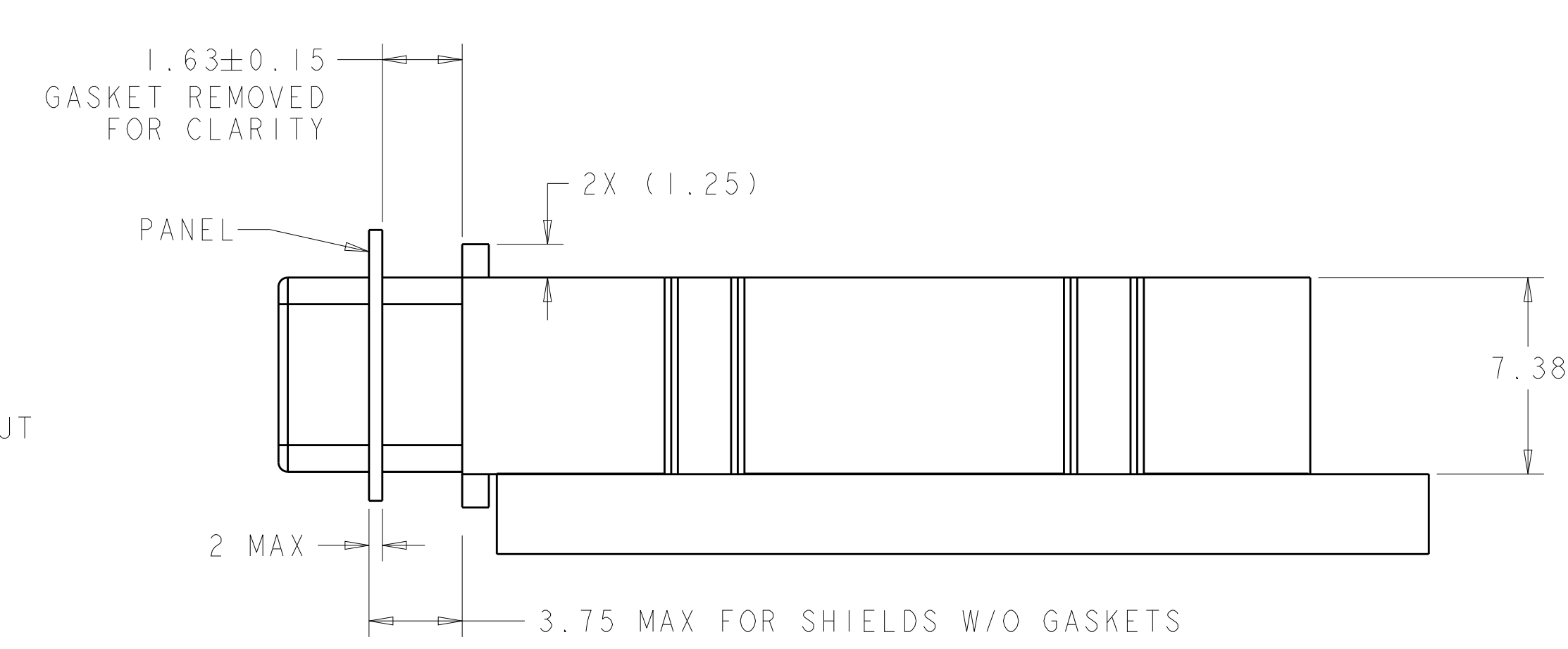
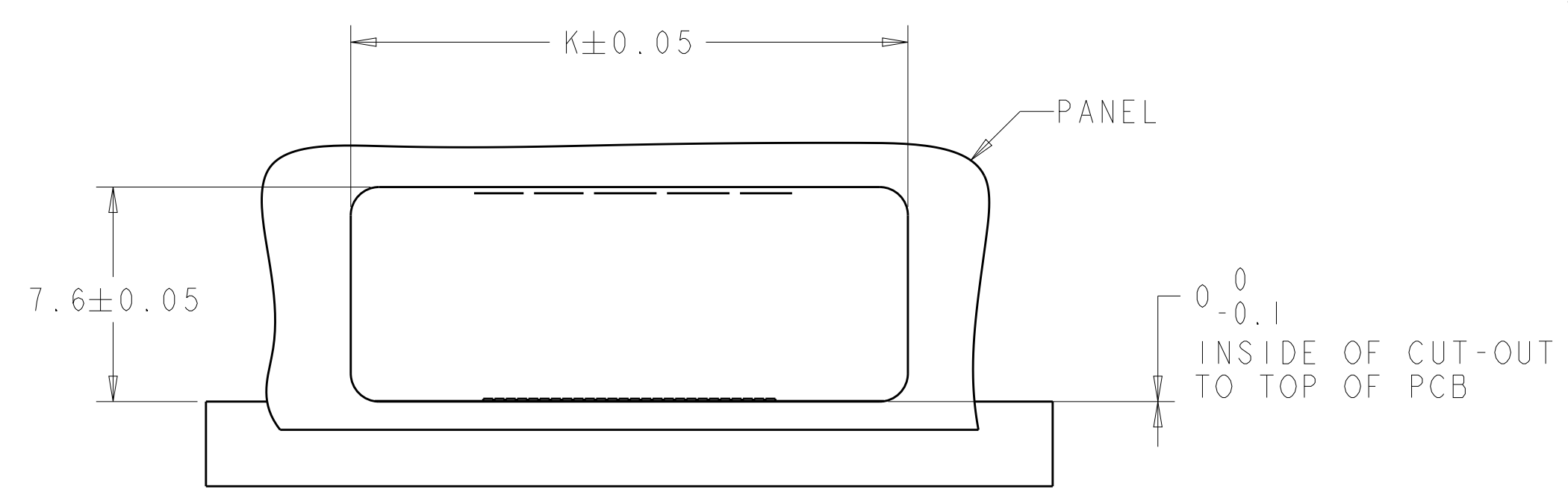
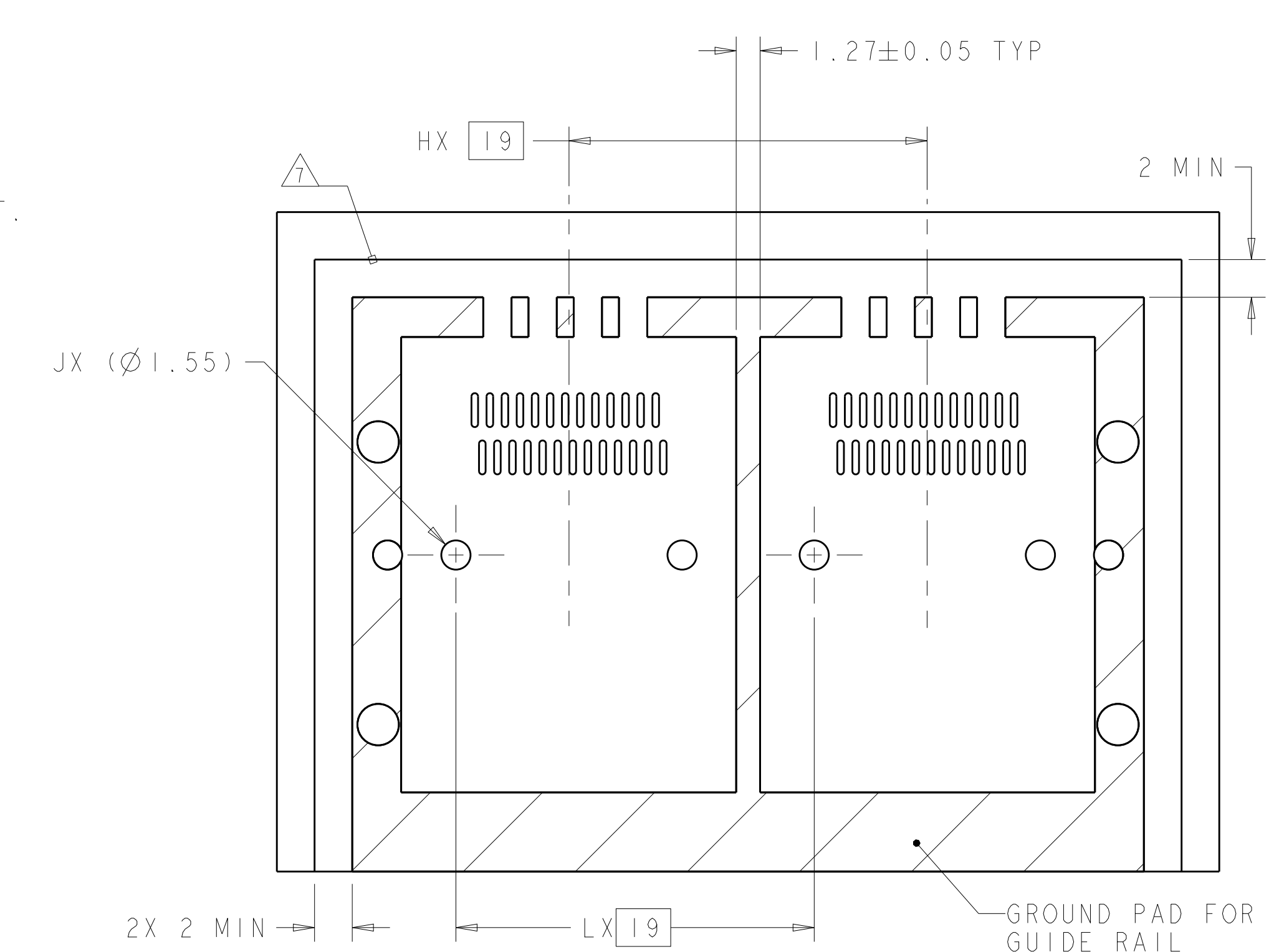
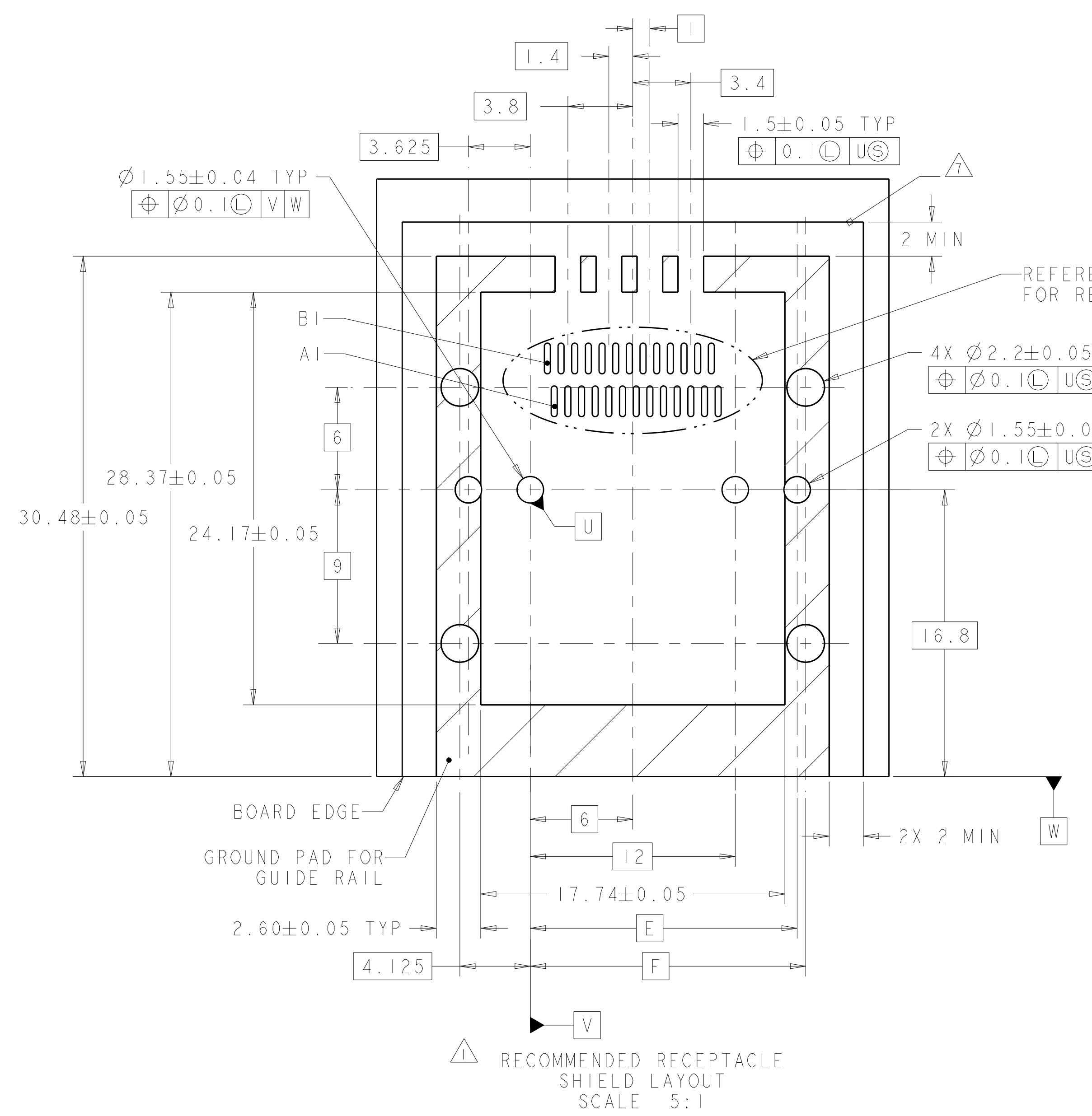
RECOMMENDED MULTI-PORT LAYOUT,
 SAME AS 1888321-1, EXCEPT AS SHOWN
 SCALE 5:1



SECTION A-A
 SCALE 10:1

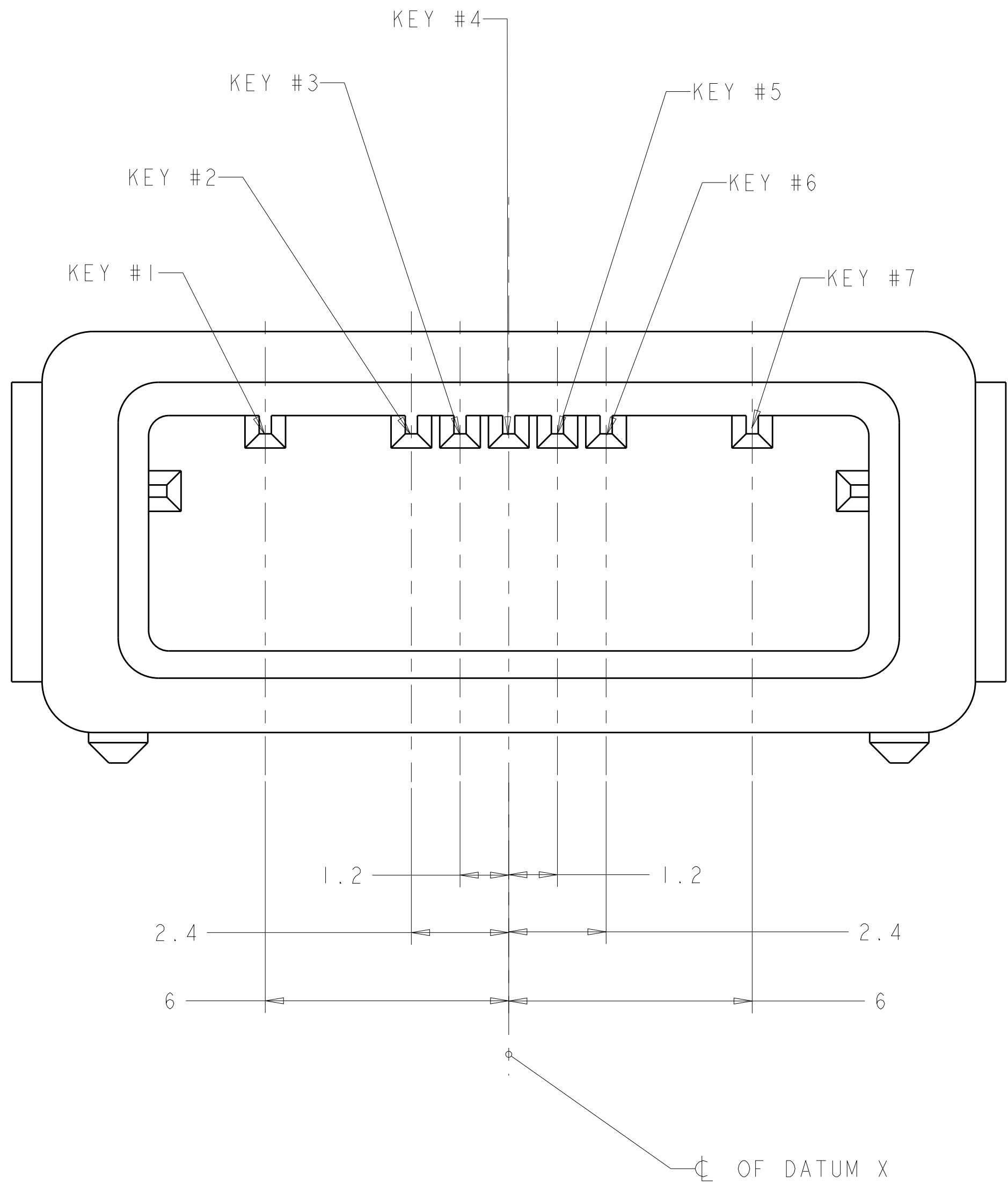
THIS DRAWING IS A CONTROLLED DOCUMENT. DIMENSIONING AND TOLERANCING PER ASME Y14.5M-2009.		DWN J. POLIGNONE 01AUG07	TE Connectivity										
DIMENSIONS: mm		CHK D. GORENC 01AUG07											
TOLERANCES UNLESS OTHERWISE SPECIFIED:		APVD D. GORENC 01AUG07	NAME EVERCLEAR Mini-SAS EXTERNAL RECEPTACLE SHELL ASSEMBLY										
<table border="1"> <tr> <td>0 PLC</td> <td>±</td> </tr> <tr> <td>1 PLC</td> <td>±</td> </tr> <tr> <td>2 PLC</td> <td>±</td> </tr> <tr> <td>3 PLC</td> <td>±</td> </tr> <tr> <td>4 PLC</td> <td>±</td> </tr> </table>		0 PLC	±	1 PLC	±	2 PLC	±	3 PLC	±	4 PLC	±	PRODUCT SPEC	SIZE CAGE CODE DRAWING NO
0 PLC	±												
1 PLC	±												
2 PLC	±												
3 PLC	±												
4 PLC	±												
MATERIAL SEE NOTES		APPLICATION SPEC	A100779C=1888321										
FINISH SEE NOTES		WEIGHT	RESTRICTED TO										
		Customer Drawing	SCALE 5:1 SHEET 2 OF 4 REV C										

LOC		DIST		REVISONS				
P	LTN	DATE	DMN	APVD	DESCRIPTION	DATE	DMN	APVD
-	-	-	-	-	SEE SHEET 1	-	-	-



THIS DRAWING IS A CONTROLLED DOCUMENT. DIMENSIONING AND TOLERANCING PER ASME Y14.5M-2009.		DMN: J. POLIGNONE 01AUG07	TE Connectivity
DIMENSIONS: mm		CHK: D. GORENC 01AUG07	
TOLERANCES UNLESS OTHERWISE SPECIFIED:		APVD: D. GORENC 01AUG07	NAME: EVERCLEAR Mini-SAS EXTERNAL RECEPTACLE SHELL ASSEMBLY
0 PLC ±	1 PLC ±	PRODUCT SPEC	SIZE: CAGE CODE DRAWING NO
2 PLC ±	3 PLC ±	APPLICATION SPEC	A100779C=1888321
4 PLC ±	ANGLES ±	WEIGHT	RESTRICTED TO
MATERIAL: SEE NOTES	FINISH: SEE NOTES	Customer Drawing	SCALE: 3:1 SHEET 3 OF 4 REV C

LOC	DIST	REV	DATE	BY	APPV
GP	00				
REVISIONS					



POSSIBLE KEYING POSITION LOCATIONS
 SCALE 10:1

- △ LOCATIONS OF DATUMS TO BE DETERMINED BY THE CUSTOMER.
- △ ZINC DIE CAST PER ASTM B 86.
- △ PASSIVATE PER ASTM B 102 OVER 2.54µm MINIMUM NICKEL PLATE PER QQ-N-290 OVER 5.08µm MINIMUM COPPER PLATE PER AMS 2418
- △ OMNI DIRECTIONAL CONDUCTIVE FOAM
- △ SHELLS AFFIXED TO PCB VIA CUSTOMER SUPPLIED M2 x 0.4mm THREADED SCREWS.
- 6. PRODUCT USED IN CONJUNCTION WITH SURFACE MOUNT CONNECTOR 1761987-1.
- △ RAISED SOLDER MASK KEEP OUT AREA, APPLIES TO AREA INSIDE BOX.
- △ PRELIMINARY NOT RELEASED FOR PRODUCTION.
- △ DATE CODE APPLIED IN GENERAL AREA AS INDICATED.

	I	38.75	4	I	I	35.125	34.625	42	39.25	38.25	38.25	4	4	-	-	2	2-1888321-2
	I	38.75	4	I	I	35.125	34.625	42	39.25	38.25	38.25	2-4	2-4	-	-	2	1-1888321-3
	I	38.75	4	I	I	35.125	34.625	42	39.25	38.25	35.25	4-6	2-4	-	-	2	1-1888321-2
	I	38.75	4	I	I	35.125	34.625	42	39.25	38.25	38.25	2	6	-	-	2	1-1888321-1
	I	38.75	4	I	I	35.125	34.625	42	39.25	38.25	38.25	2	2	-	-	2	1-1888321-0
	N/A	19.75	2	N/A	N/A	16.125	15.625	23	20.25	19.25	19.25	4-6	-	-	-	1	1888321-9
	N/A	19.75	2	N/A	N/A	16.125	15.625	23	20.25	19.25	19.25	2-4	-	-	-	1	1888321-8
	N/A	19.75	2	N/A	N/A	16.125	15.625	23	20.25	19.25	19.25	6	-	-	-	1	1888321-7
	N/A	19.75	2	N/A	N/A	16.125	15.625	23	20.25	19.25	19.25	2	-	-	-	1	1888321-6
OBSOLETE	3	76.75	8	3	3	73.125	72.625	80	77.25	76.25	76.25	4	4	4	4	4	△ 1888321-4
OBSOLETE	2	57.75	6	2	2	54.125	53.625	61	58.25	57.25	57.25	4	4	4		3	△ 1888321-3
	I	38.75	4	I	I	35.125	34.625	42	39.25	38.25	38.25	4	4	-	-	2	1888321-2
	N/A	19.75	2	N/A	N/A	16.125	15.625	23	20.25	19.25	19.25	4	-	-	-	1	1888321-1
	L	K	J	H	G	F	E	D	C	B	A	KEYING POSITION				# OF PORTS	PART NUMBER
												PORT 1 (SINGLE PORT)	PORT 2	PORT 3	PORT 4		

THIS DRAWING IS A CONTROLLED DOCUMENT. DIMENSIONING AND TOLERANCING PER ASME Y14.5M 2009. TOLERANCES UNLESS OTHERWISE SPECIFIED:

DIMENSIONS:	mm	0 PLC ±	1 PLC ±	2 PLC ±	3 PLC ±	4 PLC ±	ANGLES	FINISH	SEE NOTES
MATERIAL	SEE NOTES								

Customer Drawing

DATE: 01AUG07
 CHK: D. GORENC
 APVD: D. GORENC

NAME: EVERCLEAR Mini-SAS EXTERNAL RECEPTACLE SHELL ASSEMBLY

SIZE: A1 | CAGE CODE: 100779 | DRAWING NO: 1888321

SCALE: 3:1 | SHEET: 4 OF 4 | REV: C

X-ON Electronics

Largest Supplier of Electrical and Electronic Components

Click to view similar products for [I/O Connectors](#) category:

Click to view products by [TE Connectivity](#) manufacturer:

Other Similar products are found below :

[571763P](#) [58098-0628](#) [61-168618-12P](#) [D38999/20FJ24PA L/C](#) [D38999/20FJ29SB L/C](#) [D38999/24FG11SN L/C](#) [72.250.1628.2](#) [72.250.2428.2](#)
[74720-0505](#) [76.350.0729.0](#) [76871-1403](#) [FCN-244F080-G/1](#) [FCN-260A9920](#) [FCN-268D024-G/2F#10X-R10](#) [PCS-E50FA](#) [PCS-XE26LKA](#)
[PCS-XE26MA+](#) [PCS-XES68MS+](#) [G38A71314B](#) [91-569719-35R](#) [9776-18-6](#) [DX40-50P\(55\)](#) [1571250010](#) [157-22500-3](#) [MS3476W12-10S](#)
[L/C](#) [1888020-8](#) [91-569786-35H](#) [91-569786-35M](#) [91-644626-35P](#) [172501-4002](#) [172501-6002](#) [FCN-260C008-A/L0](#) [FCN-260C024-AL0](#)
[FCN-261Z008](#) [FCN-268D008-G/1K](#) [2000314-1](#) [200331-1](#) [2007498-2](#) [PCR-E28LMDAG1+](#) [PCR-E36FC+](#) [PCS-E28FS+](#) [PCS-XE26SLFD+](#)
[PCS-XE26SLFDT+](#) [G38A71214B](#) [HDRA-E68W1LFDTC-SL+](#) [HDR-E14MSG1+](#) [R88A-CNK81S](#) [CRT1-ATT02](#) [54182-0605](#)
[U90B2054081210](#)