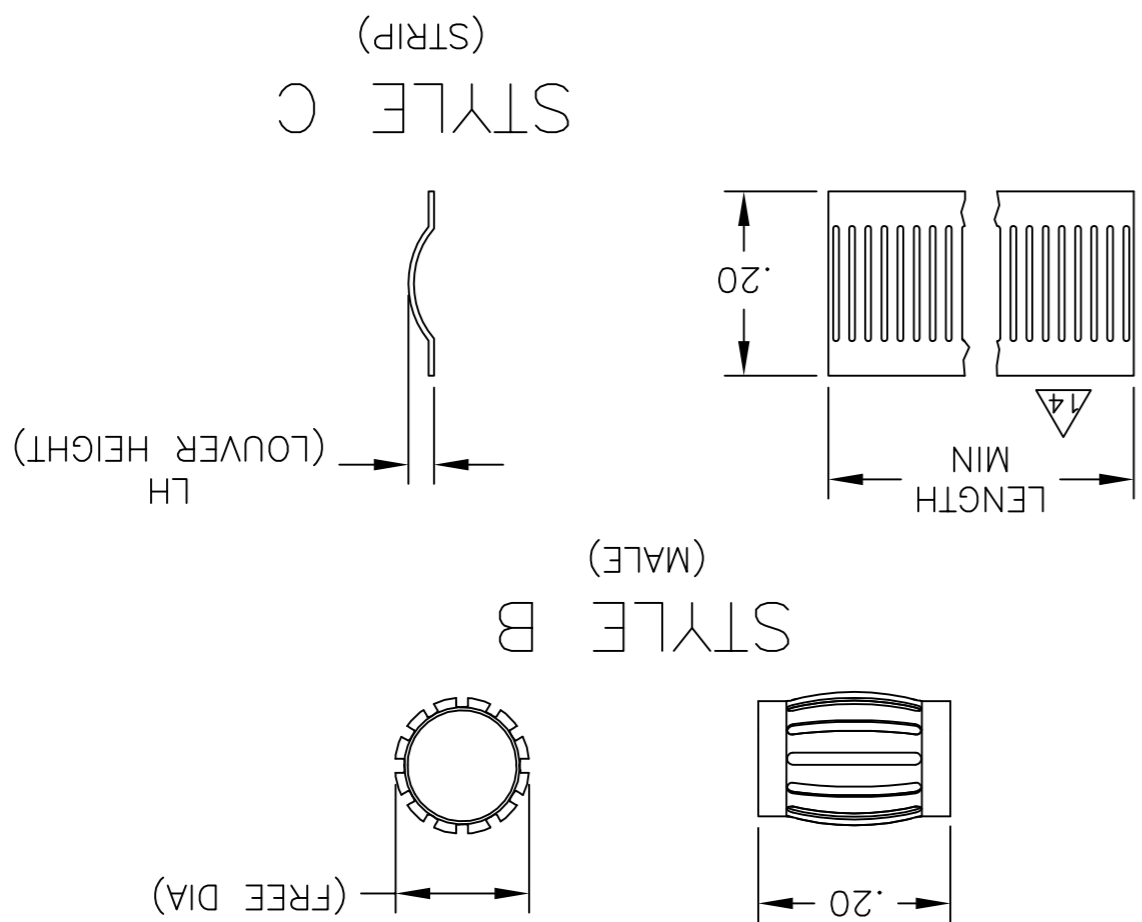


(FREE DIA)	LH	STYLE	MATING DIA	NUM LOUV	MAT'L (NOTE NO)	PLATING	MAT'L THK	REF	PART NUMBER
[.09]	[.016]	B	[.080]	6	12	1-2	0.12[.005]	--	5-192045-4
[.09]	[.016]	B	[.080]	6	12	1-2	0.12[.005]	--	5-392045-3
[.098]	[.020]	B	[5.980]	667	12	UNPL	0.12[.005]	05085	5-192045-1
[.098]	[.020]	B	[5.040]	557	12	1-2	0.12[.005]	05092	5-192045-0
[.500]	[.020]	B	[4.980]	557	12	UNPL	0.12[.005]	05084	4-192045-9
[4.84]	[.020]	B	[4.880]	539	12	1-2	0.12[.005]	05093	4-192045-8
[4.68]	[.020]	B	[4.660]	521	12	UNPL	0.12[.005]	05083	4-192045-7
[3.38]	[.020]	B	[3.410]	375	12	1-2	0.12[.005]	05089	4-192045-6
[3.22]	[.020]	B	[3.000]	335	12	1-2	0.12[.005]	--	4-192045-5
[3.22]	[.016]	B	[3.000]	335	12	1-2	0.12[.005]	05086	4-192045-4
[2.76]	[.016]	B	[2.750]	305	12	1-2	0.12[.005]	05073	4-192045-3
[2.07]	[.020]	B	[2.100]	228	12	3-2	0.12[.005]	05090	4-192045-2
[1.51]	[.020]	B	[1.500]	166	12	3-2	0.15[.006]	--	4-192045-1
[1.13]	[.018]	B	[1.120]	122	12	UNPL	0.12[.005]	05177	3-192045-9
[.97]	[.020]	B	[.950]	105	12	1-2	0.12[.005]	05094	3-192045-8
[.97]	[.020]	B	[.950]	105	12	UNPL	0.12[.005]	05101	3-192045-7
[.95]	[.016]	B	[.938]	102	12	1-2	0.12[.005]	05074	3-192045-6
[.70]	[.016]	B	[.688]	74	12	1-2	0.12[.005]	05072	3-192045-5
[.66]	[.020]	B	[.625]	70	12	3-2	0.15[.006]	05024	3-192045-4
[.67]	[.018]	B	[.598]	71	12	3-2	0.12[.005]	05178	3-192045-3
[.48]	[.020]	B	[.504]	54	12	3-2	0.15[.006]	05123	3-192045-2
[.48]	[.020]	B	[.504]	54	12	1-2	0.15[.006]	05021	3-192045-1
[.48]	[.020]	B	[.504]	54	12	UNPL	0.15[.006]	--	3-192045-0
[.47]	[.016]	B	[.433]	49	12	3-2	0.15[.006]	05140	2-192045-7
[.43]	[.020]	B	[.399]	44	12	3-2	0.12[.005]	05020	2-192045-6
[.39]	[.016]	B	[.375]	39	12	1-2	0.12[.005]	05076	2-192045-5
[.32]	[.020]	B	[.312]	32	12	UNPL	0.12[.005]	05100	2-192045-4
[.27]	[.020]	B	[.250]	26	12	3-2	0.15[.006]	05017	2-192045-3
[.26]	[.016]		[.250]	26		1-2	0.12[.005]	05071	2-192045-2
[.18]	[.020]	B	[.164]	16	12	UNPL	0.15[.006]	05028	1-192045-9
[.17]	[.016]		[.156]	14	12	1-2	0.12[.005]	05075	1-192045-8
[.15]	[.020]	B	[.140]	12	12	6-7	0.10[.004]	05027	1-192045-7
[.15]	[.020]	B	[.140]	12	12	3-2	0.10[.004]	05187	1-192045-6
[.15]	[.020]	B	[.140]	12	12	UNPL	0.10[.004]	05166	1-192045-5
[.15]	[.020]	B	[.140]	12	12	UNPL	0.10[.004]	05165	1-192045-4
[.14]	[.020]	B	[.125]	11	12	1-2	0.12[.005]	05096	1-192045-3
[.22]	[.022]	C	--	15	12	5-2	0.10[.004]	05119	1-192045-2
[.22]	[.022]	C	--	14	12	3-2	0.15[.006]	05002	1-192045-1
[.22]	[.022]	C	--	14	12	UNPL	0.12[.005]	05048	1-192045-0
[.018]	[.018]	C	--	14	12	1-2	0.12[.005]	--	192045-9
[.029]	[.029]	C	--	14	12	UNPL	0.12[.005]	05185	192045-7
[.022]	[.022]	C	--	14	12	3-2	0.12[.005]	--	192045-6
[.022]	[.022]	C	--	14	12	1-2	0.12[.005]	05097	192045-5
[.022]	[.022]	C	--	14	12	UNPL	0.12[.005]	05055	192045-4
[.018]	[.018]	C	--	14	12	UNPL	0.12[.005]	--	192045-3
[.027]	[.027]	C	--	14	12	3-2	0.10[.004]	05164	192045-2
[.027]	[.027]	C	--	14	12	UNPL	0.10[.004]	05167	192045-1

- 1 FINISH-SILVER PLATE 200µIN THICK MIN.
- 2 FINISH-NICKEL PLATE 40µIN THICK MIN.
- 3 FINISH-GOLD PLATE 10µIN THICK MIN.
- 4 FINISH-GOLD PLATE 50µIN THICK MIN.
- 5 FINISH-GOLD PLATE 200µIN THICK MIN.
- 6 FINISH-GOLD PLATE 200µIN THICK MIN.
- 7 FINISH-COPPER PLATE 10µIN THICK MIN.
- 8
- 9
- 10
- 11 PLATING NOTES ARE TO BE INTERPRETED AS FOLLOWS, 6-8 AS 6 OVER 8.
- 12 MATERIAL-CDA172, BeCu.
- 13 MATERIAL-STAINLESS STEEL.
- 14 PRODUCT IS SOLD BY THE FOOT.
- 15 72 INCH STRIP WOUND TO ONE INCH INSIDE DIAMETER.
- 16 PRELIMINARY PART NO.
- 17 OBSOLETE PARTS: OBSOLETE CIS STREAMLINING PER D.RENAUD/D.SINISI



MATERIAL: SEE TABLE		FINISH: SEE TABLE		CUSTOMER DRAWING	
DIMENSIONS: INCHES		TOLERANCES UNLESS OTHERWISE SPECIFIED:		SCALE: 1:1	
0 P/LC ±		1 P/LC ±		SHEET 1 OF 2	
1 P/LC ±		2 P/LC ±		REV M	
2 P/LC ±		3 P/LC ±		RESTRICTED TO	
3 P/LC ±		4 P/LC ±		DRAWING NO 192045	
4 P/LC ±		ANGLES		CASE CODE A2	
APPLICATOR SPEC		PRODUCT SPEC		QTY 00779	
APVD		NAME		SIZE A2	
CHK J. TURNER		APVD		WEIGHT	
DWN		NAME		DRAWING NO 192045	
TE Connectivity		CONTACT BAND, LAV MALE		REVISIONS	

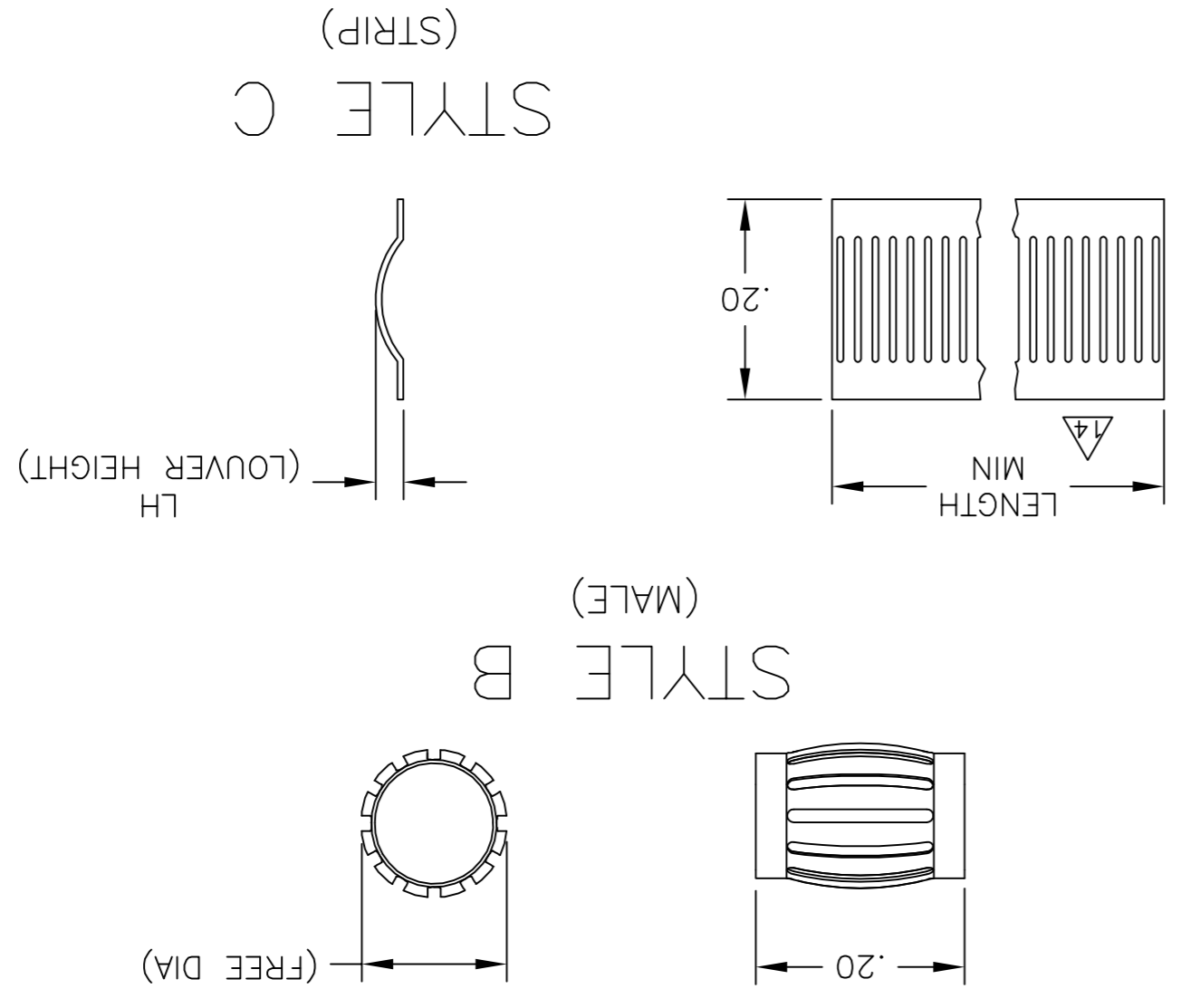
P	LTR	DESCRIPTION	DATE	APVD
M		REVISED PER ECO-17-013723	21SEP2017	RS MZ
L		REVISED PER ECO-15-012365	17NOV2015	NK MZ
				DWN

(FREE DIA)	LH	STYLE	(MATING DIA)	NUM LOUV	MAT'L (NOTE NO)	PLATING	MAT'L THK	REF	PART NUMBER
---	[.020]	C	---	13	12	UNPL	0.12[.005]	---	7-192045-4
[4.84]	[.020]	B	---	539	12	UNPL	0.12[.005]	---	7-192045-3
[3.38]	[.020]	B	---	375	12	UNPL	0.12[.005]	---	7-192045-2
[3.22]	[.020]	B	---	335	12	UNPL	0.12[.005]	---	7-192045-1
[3.22]	[.016]	B	---	335	12	UNPL	0.12[.005]	---	7-192045-0
[2.76]	[.016]	B	---	305	12	UNPL	0.12[.005]	---	6-192045-9
[2.07]	[.020]	B	---	228	12	UNPL	0.12[.005]	---	6-192045-8
[1.51]	[.020]	B	---	166	12	UNPL	0.15[.006]	---	6-192045-7
[1.40]	[.016]	B	---	153	12	UNPL	0.12[.005]	---	6-192045-6
[.95]	[.016]	B	---	102	12	UNPL	0.12[.005]	---	6-192045-5
[.70]	[.016]	B	---	74	12	UNPL	0.12[.005]	---	6-192045-4
[.66]	[.020]	B	---	70	12	UNPL	0.15[.006]	---	6-192045-3
[.47]	[.016]	B	---	49	12	UNPL	0.15[.006]	---	6-192045-2
[.43]	[.020]	B	---	44	12	UNPL	0.12[.005]	---	6-192045-1
[.39]	[.016]	B	---	39	12	UNPL	0.12[.005]	---	6-192045-0
[.27]	[.020]	B	---	24	12	UNPL	0.15[.006]	---	5-192045-9
[.26]	[.016]	B	---	24	12	UNPL	0.12[.005]	---	5-192045-8
[.17]	[.016]	B	---	15	12	UNPL	0.12[.005]	---	5-192045-7
[.14]	[.020]	B	---	11	12	UNPL	0.12[.005]	---	5-192045-6
---	[.022]	C	---	15	12	UNPL	0.10[.004]	---	5-192045-5

OBSELETE

MATERIAL: SEE TABLE		FINISH: SEE TABLE		CUSTOMER DRAWING	
DIMENSIONS: INCHES		TOLERANCES UNLESS OTHERWISE SPECIFIED:		SCALE: 1:1	
0 P/LC ±		1 P/LC ±		SHEET 2 OF 2	
1 P/LC ±		2 P/LC ±		REV M	
3 P/LC ±		4 P/LC ±		DRAWING NO 192045	
4 P/LC ±		ANGLES ±		CASE CODE A2	
APPLICATOR SPEC		PRODUCT SPEC		SIZE A2	
APVD		NAME		DRAWING CODE 00779	
CHK J. TURNER		TE Connectivity		DRAWING NO 192045	
DWN		STE		DATE 08-04-93	

THIS DRAWING IS A CONTROLLED DOCUMENT.



REVISIONS	DATE	DESCRIPTION	BY
1	---	SEE SHEET 1	---

A

B

C

D

A

B

C

D

192045

1

2

3

4

X-ON Electronics

Largest Supplier of Electrical and Electronic Components

Click to view similar products for [Heavy Duty Power Connectors](#) category:

Click to view products by [TE Connectivity](#) manufacturer:

Other Similar products are found below :

[1424439](#) [1424438](#) [09330062652](#) [2-8675P1](#) [605601-1](#) [6340G1](#) [6341G1](#) [6360G1](#) [6373G1](#) [6374g2](#) [6396G1](#) [647757-1](#) [66394-4](#) [6643411-1](#)
[6646058-2](#) [6646137-1](#) [6646138-1](#) [6646348-1](#) [6646479-1](#) [6646608-1](#) [6646786-1](#) [6646940-1](#) [6651091-1](#) [6651525-1](#) [6651529-1](#) [6651778-1](#)
[6651788-1](#) [696465-1](#) [696475-1](#) [73000005059](#) [73000005349](#) [73000005642](#) [73080255059](#) [73080965046](#) [765-15-0080A](#) [765-16-0080B](#)
[789.700-44](#) [789.700-54](#) [80-1010](#) [80-9](#) [827381-1](#) [829992-1](#) [902-77-02113](#) [PL00U-301-10D10](#) [PM103MOOLOO](#) [PM16S1620S32-50](#)
[PM212MOOLOO](#) [PM309FOOLOO](#) [PM324FOOLCH](#) [PMHPAF11S03](#)