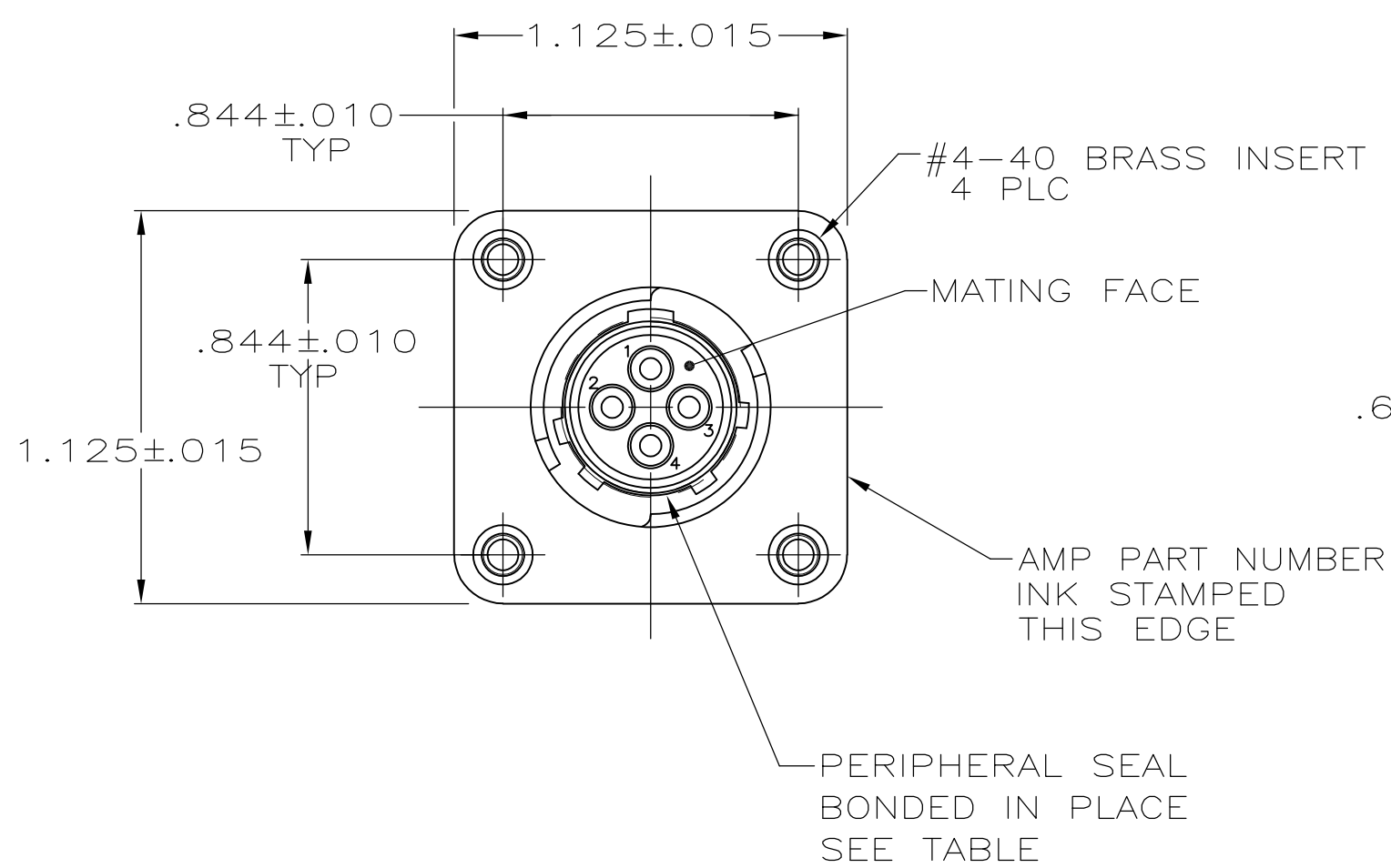


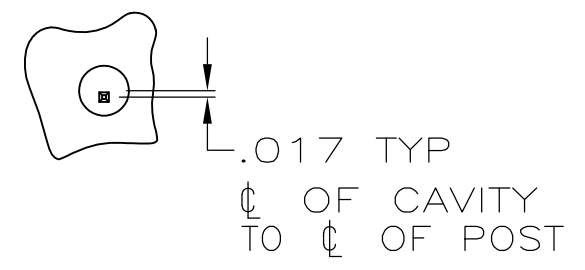
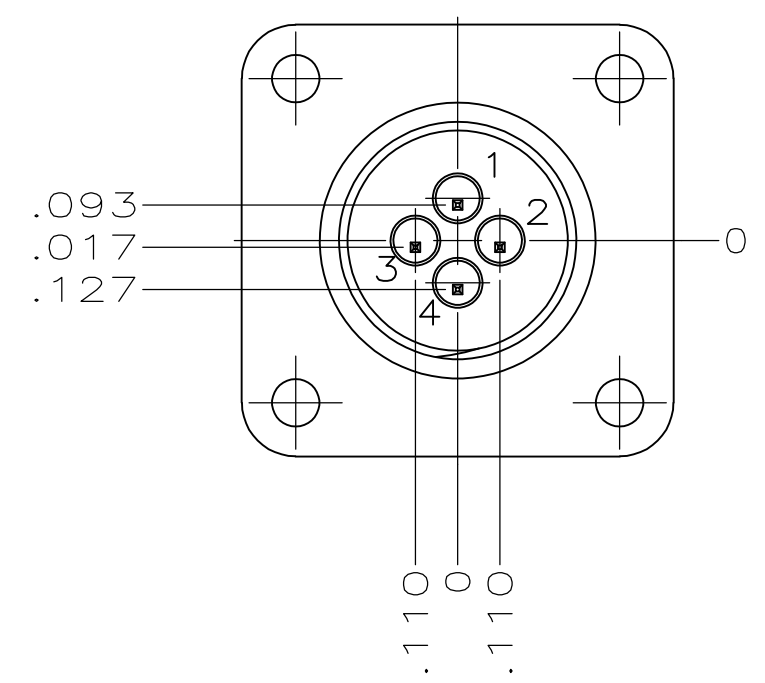
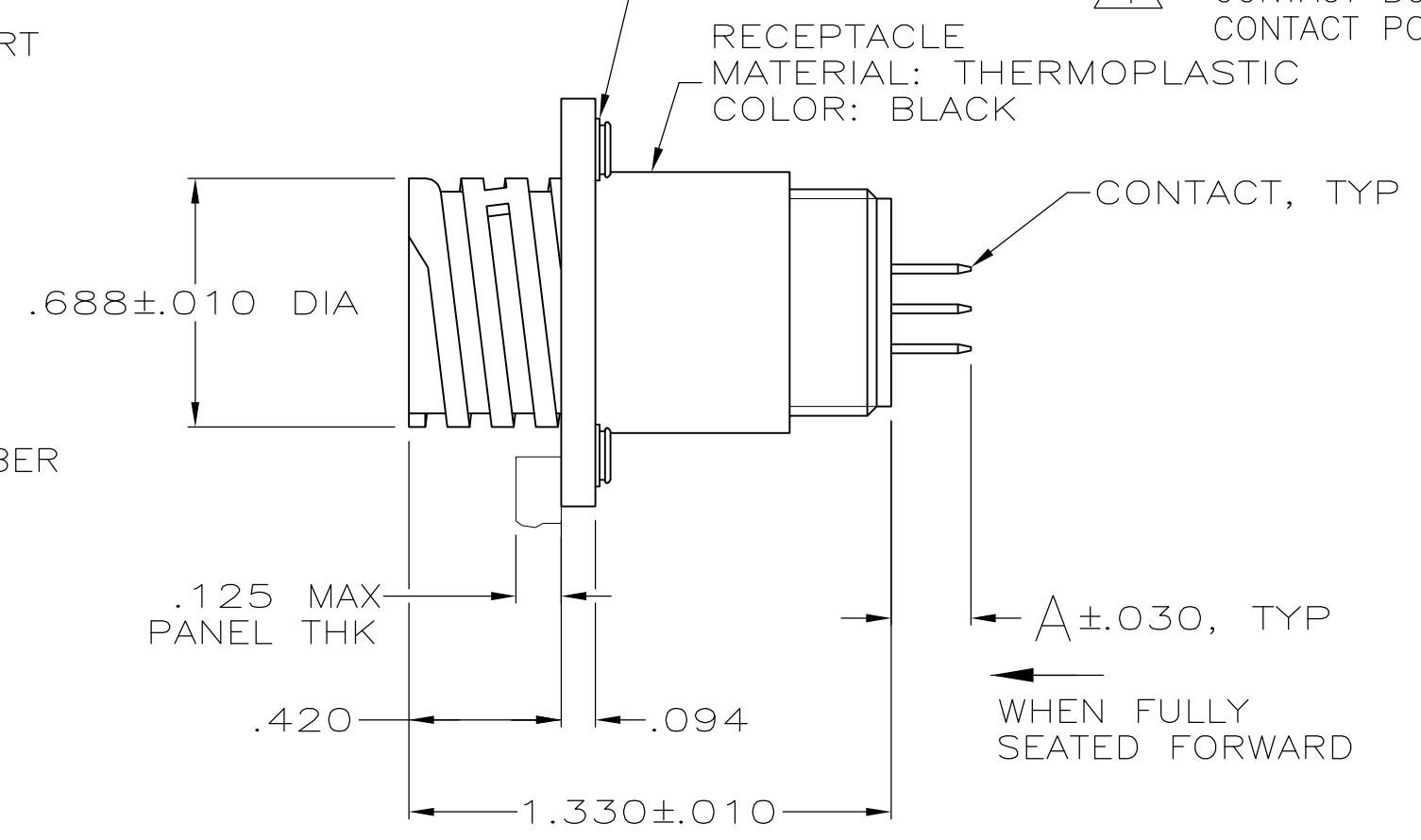
THIS DRAWING IS UNPUBLISHED. RELEASED FOR PUBLICATION  
 © COPYRIGHT - By - ALL RIGHTS RESERVED.

REVISIONS				
P	LTR	DESCRIPTION	DATE	APVD
S		REVISED PER ECO-17-004657	05APR2017	RS MZ

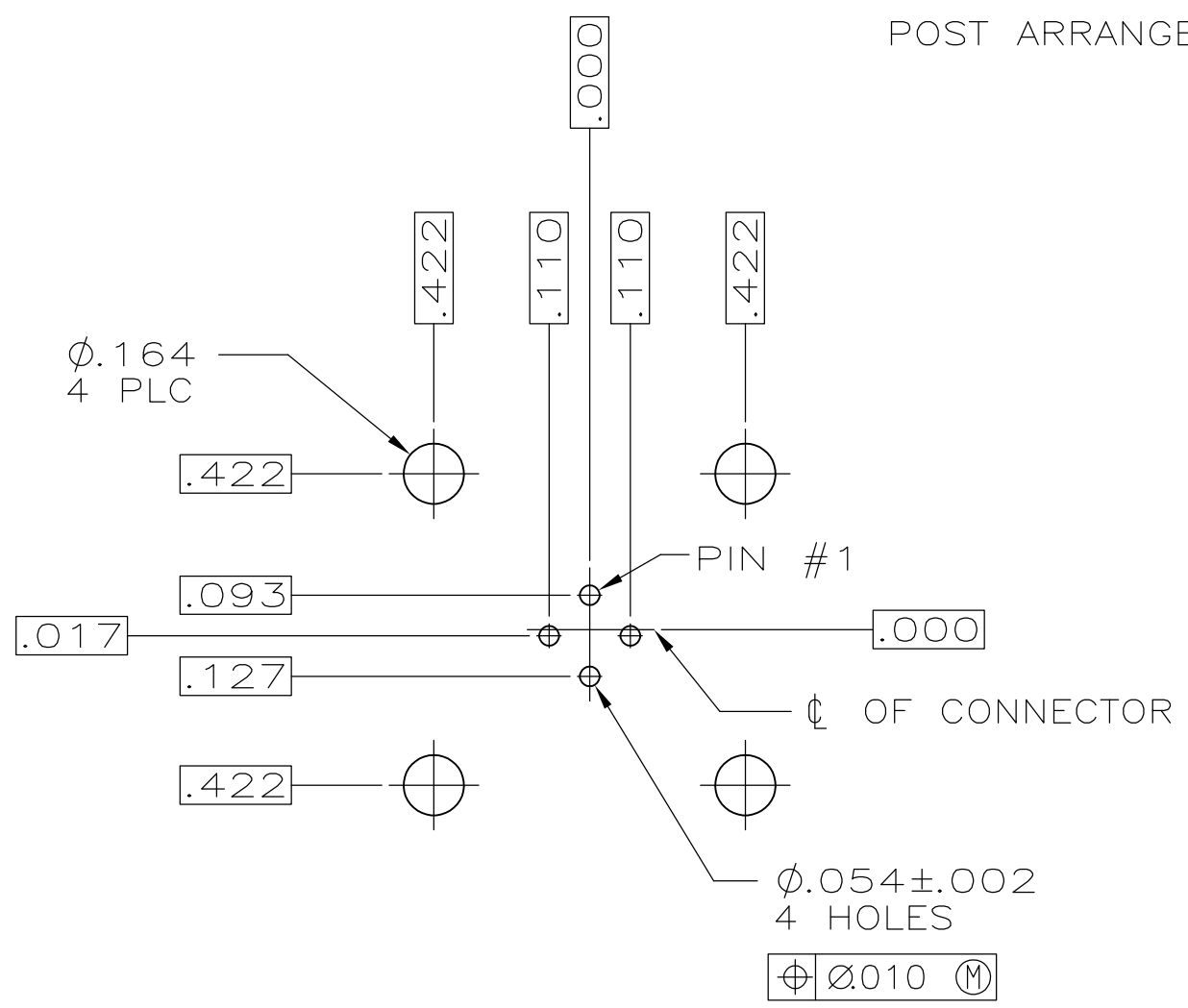
- 1 RECEPTACLE IS LOADED WITH 4 TYPE III+ POSTED PIN CONTACTS.
- 2 CONTACT BODY: GOLD PER MIL-G-45204 OVER NICKEL PER QQ-N-290. CONTACT POST: TIN-LEAD PER MIL-T-10727 OVER COPPER PER MIL-C-14550A.
- 3 CONTACT BODY: GOLD PER MIL-G-45204 OVER NICKEL PER QQ-N-290. CONTACT POST: TIN OVER COPPER PER MIL-C-14550A.
- 4 CONTACT BODY: TIN OVER NICKEL PER MIL-C-14550A. CONTACT POST: TIN OVER NICKEL PER MIL-C-14550A.



#4-40 THD INSERT  
 MATERIAL: BRASS  
 SEE TABLE



POST ARRANGEMENT ON REAR FACE



RECOMMENDED P.C. BOARD LAYOUT

	3	.220	YES	NO	1-207825-5
OBSOLETE	4	.429	YES	YES	1-207825-4
OBSOLETE	3	.119	NO	NO	1-207825-2
	4	.618	NO	YES	1-207825-1
OBSOLETE	3	.119	YES	YES	1-207825-0
	3	.119	NO	YES	207825-9
OBSOLETE	2	.220	YES	NO	207825-8
OBSOLETE	2	.429	YES	YES	207825-7
	2	.119	NO	NO	207825-6
OBSOLETE	2	.119	NO	NO	207825-5
OBSOLETE	2	.618	NO	YES	207825-4
OBSOLETE	2	.119	YES	YES	207825-3
OBSOLETE	2	.220	NO	YES	207825-2
	2	.119	NO	YES	207825-1

CONTACT FINISH	PERIPHERAL SEAL	THREADED INSERTS	PART NUMBER
A	SEAL	INSERTS	NUMBER

THIS DRAWING IS A CONTROLLED DOCUMENT.

DWN: R.LEE BG 7-1-91  
 CHK: W.G.LENKER 4-14-92  
 APVD: -  
 PRODUCT SPEC: 108-10024  
 APPLICATION SPEC: -

MATERIAL: - FINISH: - CONTACT: 2

TE Connectivity  
 RECEPTACLE ASSEMBLY, POSTED, STD SEX, SERIES 1, 11-4, CPC

SIZE: A2 CAGE CODE: 00779 DRAWING NO: C-207825 RESTRICTED TO: -  
 SCALE: 2:1 SHEET: 1 of 1 REV: S

## X-ON Electronics

Largest Supplier of Electrical and Electronic Components

*Click to view similar products for [Standard Circular Connector](#) category:*

*Click to view products by [TE Connectivity](#) manufacturer:*

Other Similar products are found below :

[C015](#) [10F006](#) [001](#) [1](#) [5M2530B10P](#) [600259N006](#) [600273N007](#) [600432N009](#) [6280-2PG-519](#) [6280-3PG-311](#) [6280-3SG-311](#) [6280-7SG-3DC](#)  
[6280-7SG-522](#) [6282-5PG-311](#) [6282-6PG-519](#) [6282-8SG-311](#) [6283-11](#) [6283-15](#) [6290](#) [6382-2PG-311](#) [6382-2PG-3DC](#) [6382-2SG-321](#) [6382-2SG-3DC](#) [6382-4SG-516](#) [67-03E20-37P](#) [681-PMG](#) [CXS3102A14S2P](#) [CXS3102A181S](#) [CXS3106A14S6S](#) [MB12P-1](#) [MB12R-6](#) [7251-2PG-300](#) [7251-2SG-300](#) [7251-4PG-300](#) [7251-4SG-300](#) [7251-5PG-300](#) [7251-5SG-300](#) [7251-6SG-300](#) [7251-7PG-300](#) [7251-8PG-300](#) [7271-6SG-300](#) [7282-3PG-300-CH3](#) [73000005663](#) [75-190216-08S](#) [75-190218-10P](#) [75-474118-10P](#) [75-474618-01S](#) [75-474620-07P](#) [799539-000](#) [MI8-SE](#) [80-190222-18P](#) [805-005-07NF11-19PC](#) [805-005-07NF15-7PA](#)