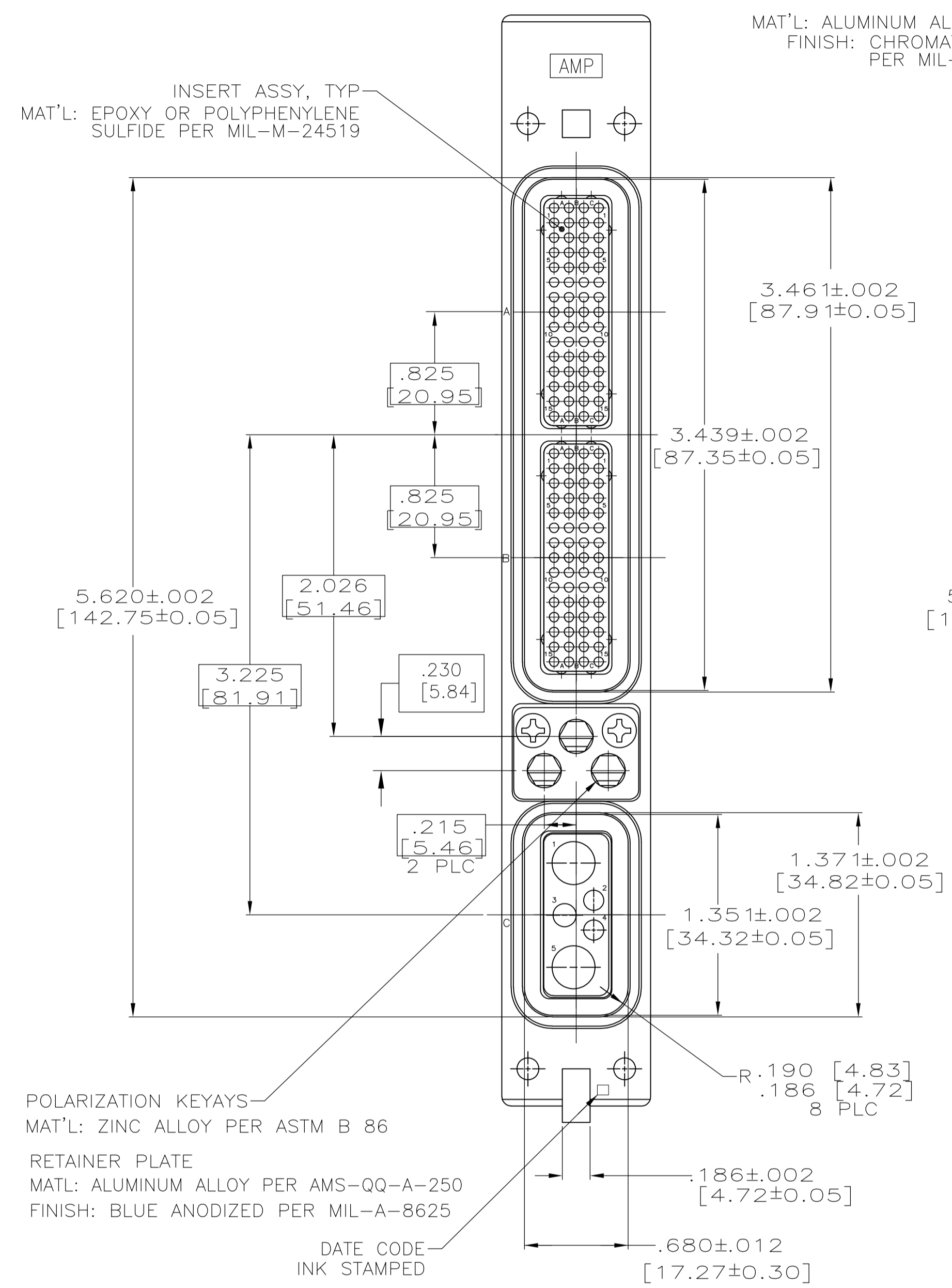
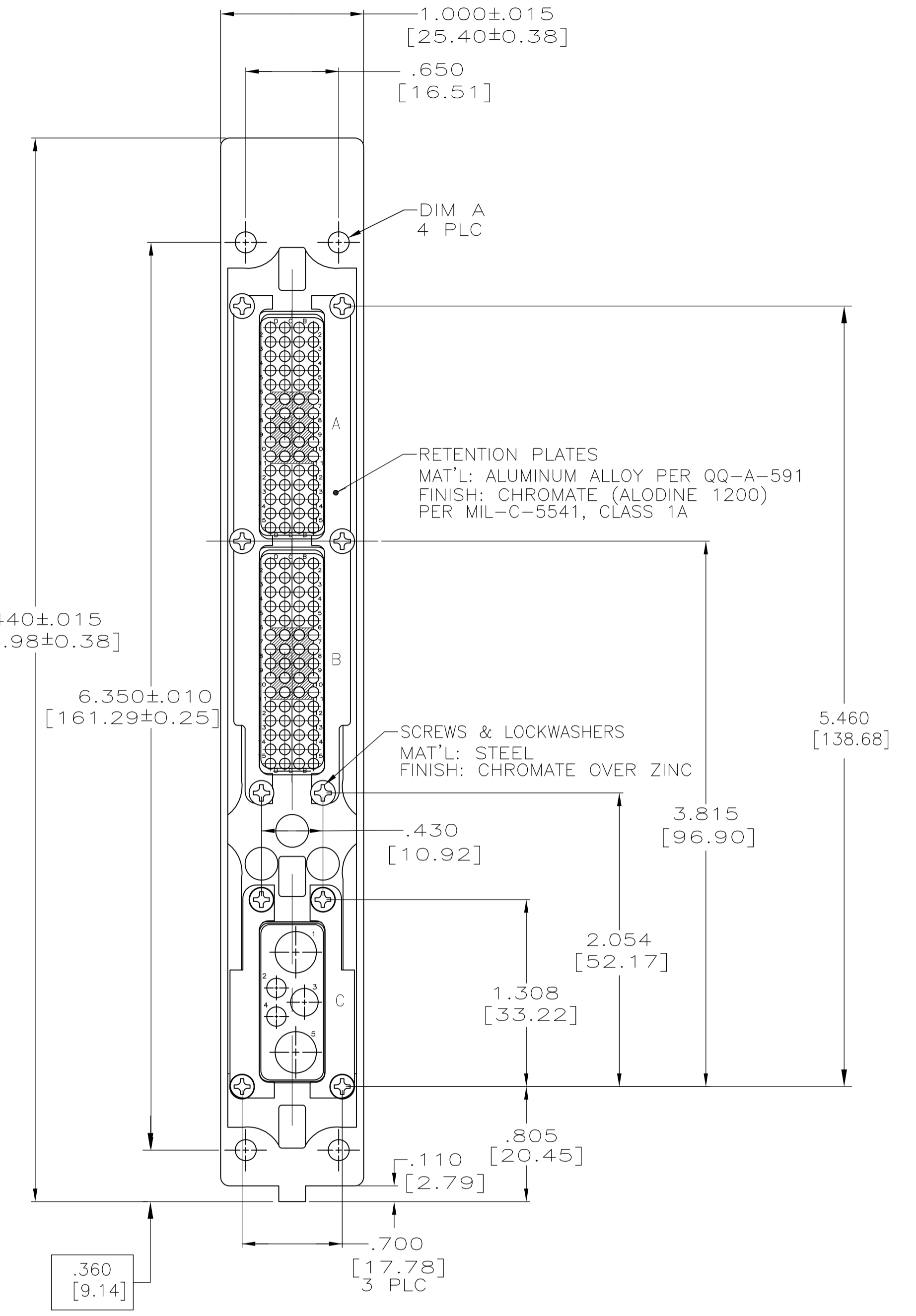
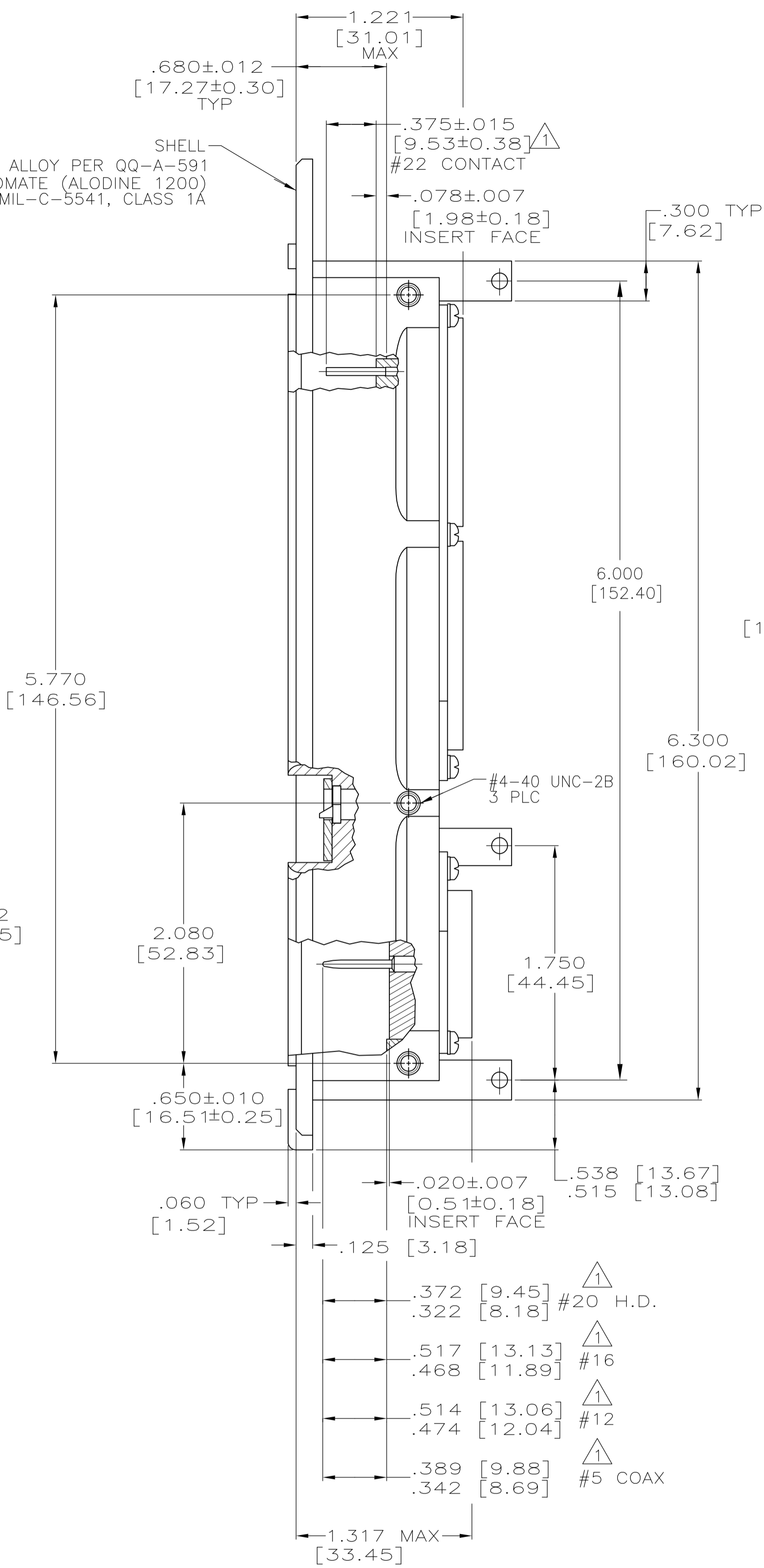


REVISONS		DATE	DN	APVD
LOC	DIST	DESCRIPTION		
P	REV PER ECO	12-022506	1-22-13	CT WB



MAT'L: ALUMINUM ALLOY PER QQ-A-591
FINISH: CHROMATE (ALODINE 1200)
PER MIL-C-5541, CLASS 1A



- △ CONTACTS ARE SHOWN IN POSITION FOR ILLUSTRATION ONLY. FOR SHIPMENT CONTACTS ARE INCLUDED IN A CONTAINER WITHIN THE CONNECTOR PACKAGE. COAX CONTACTS ARE NOT SUPPLIED AND MUST BE ORDERED SEPARATELY.
- ALL CONTACTS CAVITIES IN MODULES A & B ARE LOCATED WITHIN .006 [0.15] DIA TRUE POSITION. ALL CONTACT CAVITIES IN MODULE C ARE LOCATED WITHIN .020 [0.51] DIA TRUE POSITION.
 - POLARIZING KEYS SHOWN IN POSITION 01 FOR ILLUSTRATION ONLY. CONNECTORS SHIPPED WITH KEYING PER ORDERING INSTRUCTIONS. CONTACT INSERTS AS SHOWN FOR ILLUSTRATION ONLY. SEE TABLE FOR DISCRIPTIVE NUMBER.

.145-.151 [3.68-3.84]	NIC66E11A18AA0	1-208599-6
.145-.151 [3.68-3.84]	NIC66E11A00AA1	1-208599-5
.145-.151 [3.68-3.84]	-	1-208599-4
.145-.151 [3.68-3.84]	NIC66E11A12AAD	1-208599-3
#4-40 CLINCH NUTS	-	1-208599-2
.145-.151 [3.68-3.84]	NIC66E11A00AA0	1-208599-1
.145-.151 [3.68-3.84]	NIC66E11A11AA0	1-208599-0
.145-.151 [3.68-3.84]	NIC66E11A16AA0	208599-9
.145-.151 [3.68-3.84]	NIC66E11A23AA0	208599-8
.145-.151 [3.68-3.84]	NIC66E11A03AA1	208599-7
.145-.151 [3.68-3.84]	NIC66E11A50AA0	208599-6
.145-.151 [3.68-3.84]	NIC66E11A22AA1	208599-5
#6-32 CLINCH NUTS	NIC66E11A12CB0	208599-4
#6-32 CLINCH NUTS	NIC66E11A19CB1	208599-3
.145-.151 [3.68-3.84]	NIC66E11A01AA1	208599-2
.145-.151 [3.68-3.84]	NIC66E11A01AA0	208599-1
DIM A	DESCRIPTIVE NUMBER	PART NUMBER

THIS DRAWING IS A CONTROLLED DOCUMENT.

DIN C.C.THOMAS 11-20-95
CHK 4-11-96
R.GROSS
R.GROSS 4-11-96

STE TE Connectivity

RECEPTACLE ASSY, SIZE 1, ARINC 600

APVD R.GROSS
PRODUCT SPEC

APPLICATION SPEC

SIZE CAGE CODE DRAWING NO RESTRICTED TO
A1 00779 C=208599

MATERIAL SEE CALLOUTS FINISH SEE CALLOUTS WEIGHT --

CUSTOMER DRAWING SCALE 1:1 SHEET 1 OF 1 REV P

X-ON Electronics

Largest Supplier of Electrical and Electronic Components

Click to view similar products for [Rack & Panel Connectors](#) category:

Click to view products by [TE Connectivity](#) manufacturer:

Other Similar products are found below :

[00170420102](#) [00171420202](#) [00171440002](#) [008026165000265](#) [00-8219-072-000-112P44](#) [008219072000112P5](#) [02-014-013-5200-000](#) [613467-000](#) [CTJ112E01E-513](#) [CTJ116E03A-513](#) [M81714/63-22S L/C](#) [M81714/65-12-1](#) [66020-2](#) [CW8958-000](#) [699886-000](#) [D250-50632](#)
[70.400.3240.0](#) [70.955.2453.3](#) [733753-000](#) [F22831-000](#) [780-522-DPX34RG8-02](#) [MMA25-0341D1](#) [8660-501](#) [87.060.0053.0](#) [900709N001](#)
[QRP4-12P-C\(01\)](#) [QR/P6-6S-C\(01\)](#) [AC-600003-004](#) [1218600-1](#) [D-659-0061](#) [DMC-MD 24 C-T](#) [1-445717-6](#) [1484398-2](#) [1484399-2](#) [1484469-2](#) [MR-34MG](#) [1484225-1](#) [1484398-1](#) [1604997-2](#) [1663130-1](#) [1663767-7](#) [1663767-8](#) [MTC100-BF1-P31CS015](#) [MTC100-KT2-0083](#) [MTC100-KT2-0123-003](#) [MTC100-YA1-005](#) [MTCB1X-105-XXX](#) [MTCPQKT1P2PGDC](#) [MTCPQKT1R2PGCA](#) [MTCR-103-04S](#)