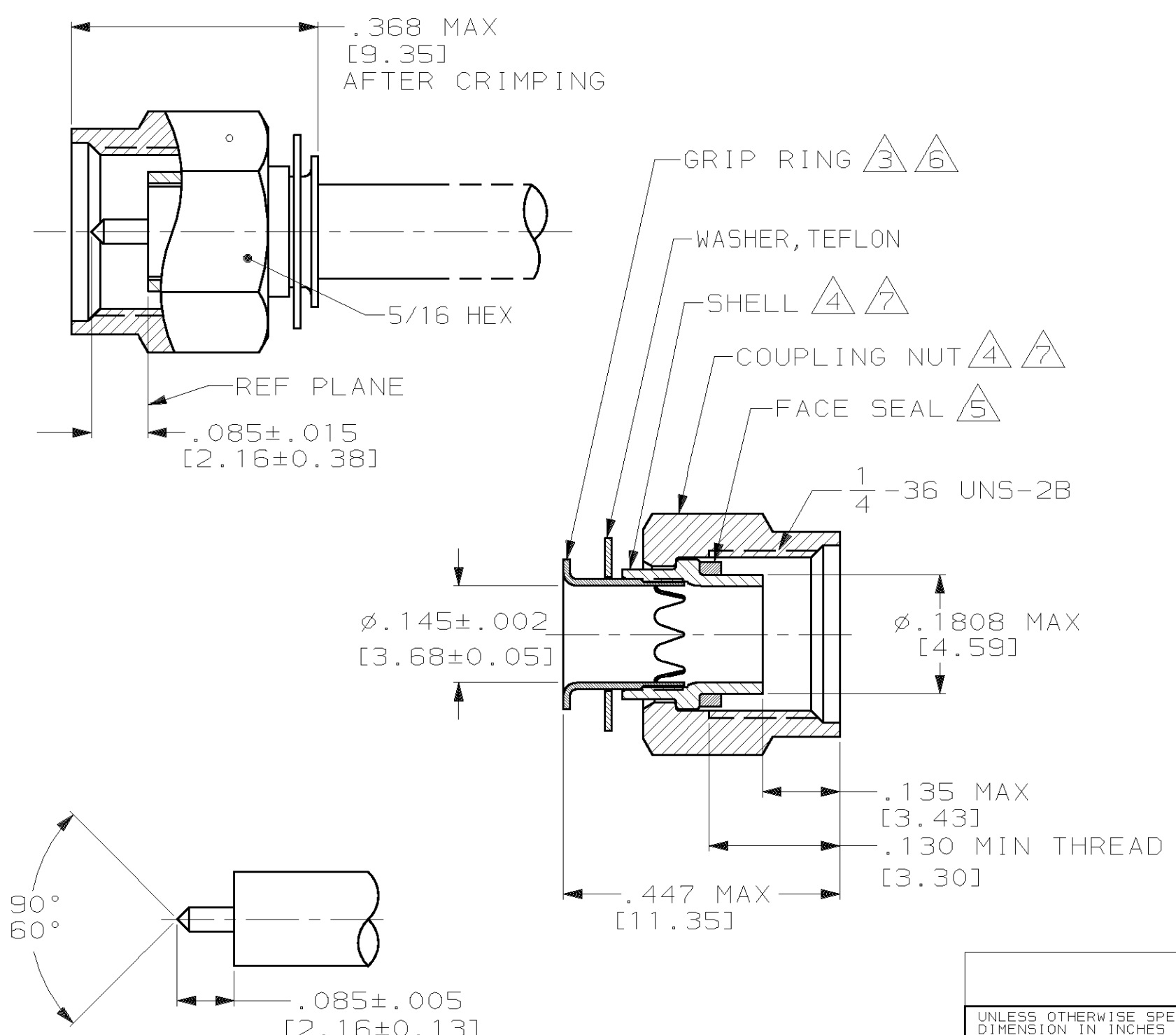


THIS DRAWING IS UNPUBLISHED. RELEASED FOR PUBLICATION, 19
 © COPYRIGHT 19 BY AMP INCORPORATED, HARRISBURG, PA. ALL INTERNATIONAL RIGHTS RESERVED. AMP PRODUCTS MAY BE COVERED BY U.S. AND FOREIGN PATENTS AND/OR PATENTS PENDING.

LOC	DIST	REVISIONS						
AJ	16	P	F	ZONE	LTR	DESCRIPTION	DATE	APPROVED
					D	REACTIVATE PER 0U20-0435-00	22AUG00	MO



- FOR USE WITH RG-402/U, .141 SEMI-RIGID CABLE.
- SEE I.5. 6788.
- BRASS PER ASTM-B-36.
- STAINLESS STEEL PER ASTM-A-582
- SILICONE RUBBER PER ZZ-R-765.
- NICKEL PLATE PER QQ-N-290.
- PASSIVATION PER ASTM A967.
- MARKING: 00779 M39012/92B3101
- .500 MIN LENGTH OF STRAIGHT CABLE REQUIRED TO APPLY THE CONNECTOR.
- THIS PART PACKAGED 50 PCS PER BAG.
- PART NO 228635-1 IS IDENTICAL AND ACCEPTABLE ALTERNATE FOR PART NO 1-227531-3.

1-227531-3
PART NO

UNLESS OTHERWISE SPECIFIED DIMENSION IN INCHES [mm] TOLERANCES ON: 2 PL DEC ± _____ 3 PL DEC ± _____ ANGLES ± _____	DR	C.C. THOMAS	7-26-93	AMP AMP INCORPORATED Harrisburg, Pa. 17105
	CHK	J. CABARLO	7-29-93	
MATERIAL 3 THRU 5	APPD	J. CABARLO	7-29-93	NAME
	APPD	C.C. THOMAS	7-29-93	PLUG, MIL-B, SERIES SMA
FINISH 6 7	PRODUCT SPEC	108-12055	SIZE	B
	APPLICATION SPEC		FSCM NO	00779
WEIGHT	.063 OZ	DRAWING NO	1-227531-3	
		SCALE	5:1	SHEET 1 OF 1

THIS DRAWING IS A CONTROLLED DOCUMENT FOR AMP INCORPORATED. IT IS SUBJECT TO CHANGE AND THE CONTROLLING ENGINEERING ORGANIZATION SHOULD BE CONTACTED FOR THE LATEST REVISION.

X-ON Electronics

Largest Supplier of Electrical and Electronic Components

Click to view similar products for [RF Connectors / Coaxial Connectors](#) category:

Click to view products by [TE Connectivity](#) manufacturer:

Other Similar products are found below :

[R125315120](#) [8915-1511-000](#) [89674-0827](#) [5916-1103-603](#) [0106-001-000](#) [6-0001-3](#) [6001-7071-019](#) [6002-7051-003](#) [6002-7551-202](#) [6059674-1](#) [619550-1](#) [630059-000](#) [M39012/25-0021](#) [M39012/79-3008](#) [M39030/3-01N](#) [M39030/3-03N](#) [M3933/25-36N](#) [6500-7071-046](#) [6501-1071-002](#) [M83723/72W2457N](#) [6769](#) [CX050L2AQ](#) [7002-1541-010](#) [7002-1572-002](#) [7003-1572-002](#) [7004-1512-000](#) [7009-1511-004](#) [7010-1511-000](#) [7029-1511-060](#) [7101-1541-010](#) [7101-1571-002](#) [7105-1521-002](#) [7145-1521-002](#) [7209-1511-011](#) [7210-1511-012](#) [7210-1511-015](#) [7210-1511-019](#) [7210-1511-040](#) [7225-1512-050](#) [7242-1511-000](#) [73137-5015](#) [73251-0111](#) [73251-0672](#) [73276-1501](#) [73366-0013](#) [73404-2300](#) [73413-6080](#) [73415-5721](#) [7405-1521-005](#) [7405-1521-802](#)