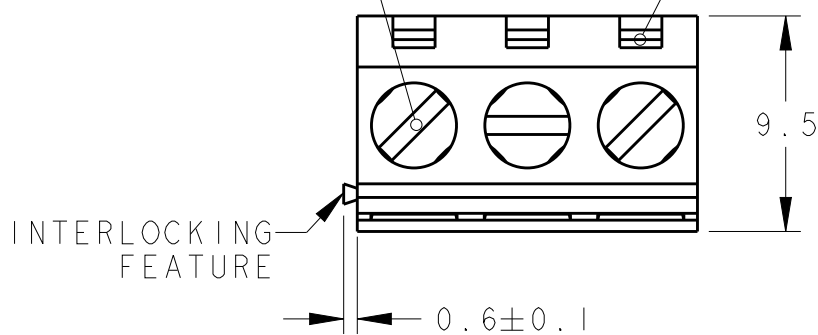


THIS DRAWING IS UNPUBLISHED. RELEASED FOR PUBLICATION 20  
 © COPYRIGHT 20 BY - ALL RIGHTS RESERVED.

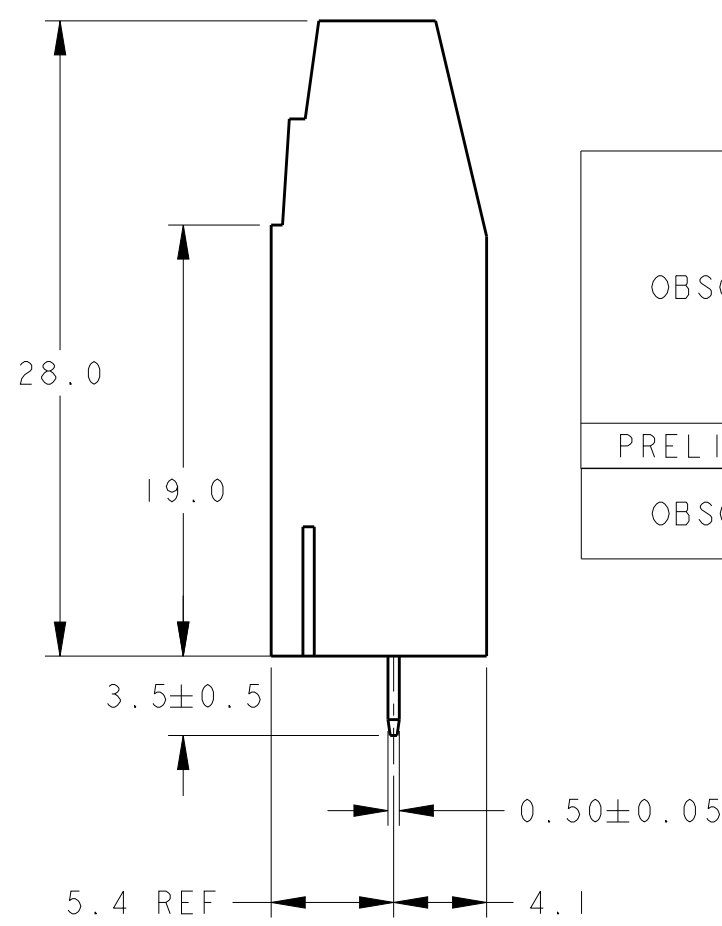
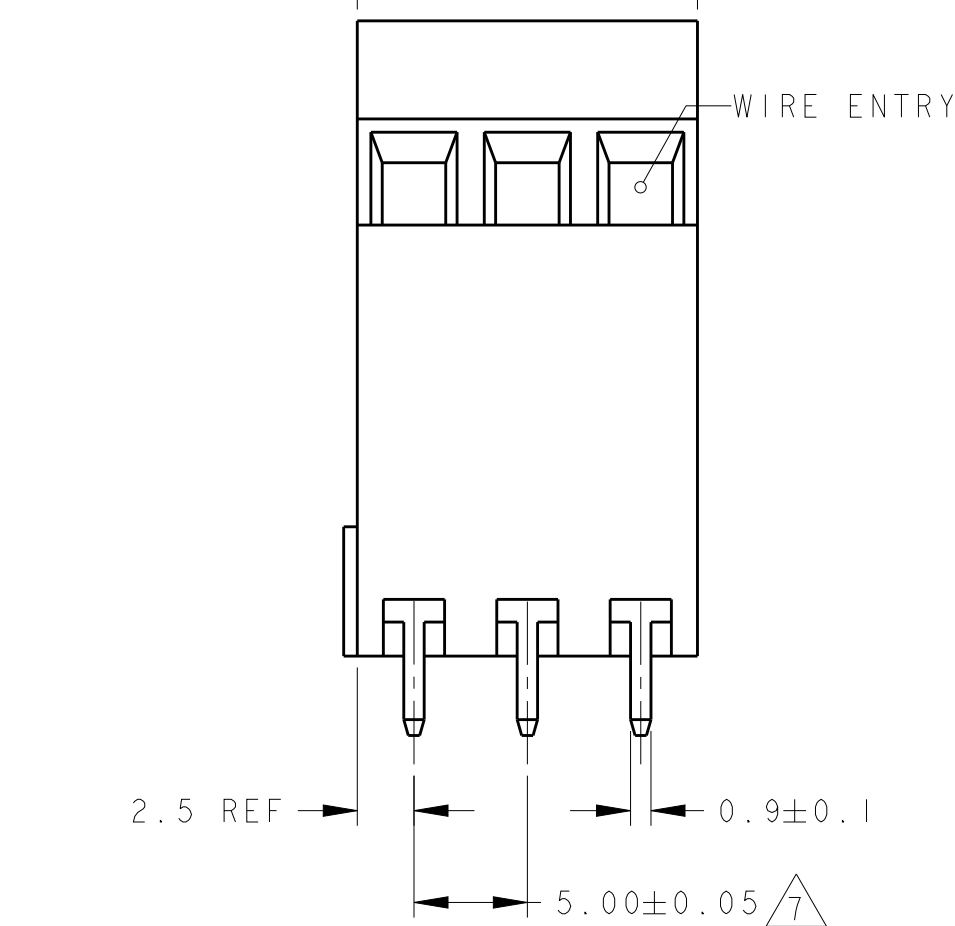
REVISIONS

P	LTR	DESCRIPTION	DATE	DWN	APVD
	F3	ECR-17-012638	11JAN2018	RK	PS

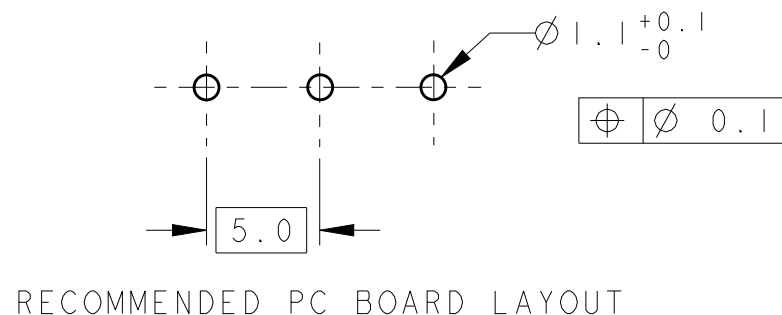
CLAMPING SCREW TEST FACILITY



INTERLOCKING FEATURE WIRE ENTRY



OBSOLETE	-	50.0	10	<del>1-282884-7</del>
	-	45.0	9	<del>1-282884-6</del>
	-	40.0	8	<del>1-282884-5</del>
	-	30.0	6	<del>1-282884-4</del>
	SEE SHEET 2	15.0	3	<del>1-282884-3</del>
PRELIMINARY	SEE SHEET 2	15.0	3	1-282884-2
OBSOLETE	SEE SHEET 2	50.0	10	<del>1-282884-0</del>
	SEE SHEET 2	40.0	8	<del>282884-9</del>
	SEE SHEET 2	10.0	2	282884-8
	SEE SHEET 2	10.0	2	282884-7
	SEE SHEET 2	15.0	3	282884-6
	SEE SHEET 2	15.0	3	282884-5
	SEE SHEET 2	10.0	2	282884-4
	-	15.0	3	282884-3
	-	10.0	2	282884-2
MARKING	DIM. A	No POS.	PART NUMBER	



RECOMMENDED PC BOARD LAYOUT

THIS DRAWING IS A CONTROLLED DOCUMENT.

DIMENSIONS:	TOLERANCES UNLESS OTHERWISE SPECIFIED:
mm	
	0 PLC ±-
	1 PLC ±.3
	2 PLC ±.25
	3 PLC ±-
	4 PLC ±-
	ANGLES ±2
MATERIAL	FINISH

DWN	E. ZANOLINI	02NOV2001
CHK	D. BIEVENOUR	02NOV2001
APVD	D. BIEVENOUR	02NOV2001
PRODUCT SPEC	108-21066	
APPLICATION SPEC	114-20079	
WEIGHT	-	
CUSTOMER DRAWING		

**STE** TE Connectivity

NAME: TERMINAL BLOCK, PCB MOUNT  
 3RD LEVEL  
 STACKING W/ INTERLOCK, 5 mm PITCH

SIZE	CAGE CODE	DRAWING NO	RESTRICTED TO
A3	00779	C-282884	-

SCALE: 2:1 SHEET 1 OF 3 REV F3

THIS DRAWING IS UNPUBLISHED.

RELEASED FOR PUBLICATION

20

© COPYRIGHT 20 BY -

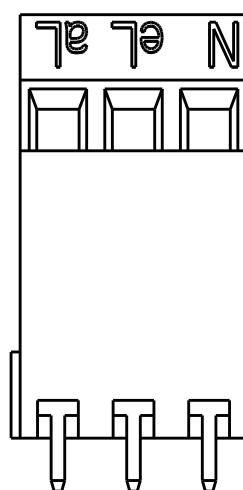
ALL RIGHTS RESERVED.

REVISIONS

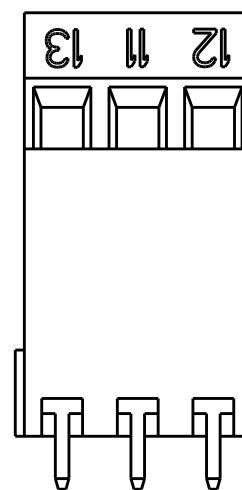
P	LTR	DESCRIPTION	DATE	DWN	APVD
	-	SEE SHEET 1	-	-	-



282884-4 AS SHOWN



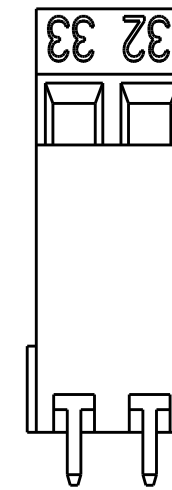
282884-5 AS SHOWN



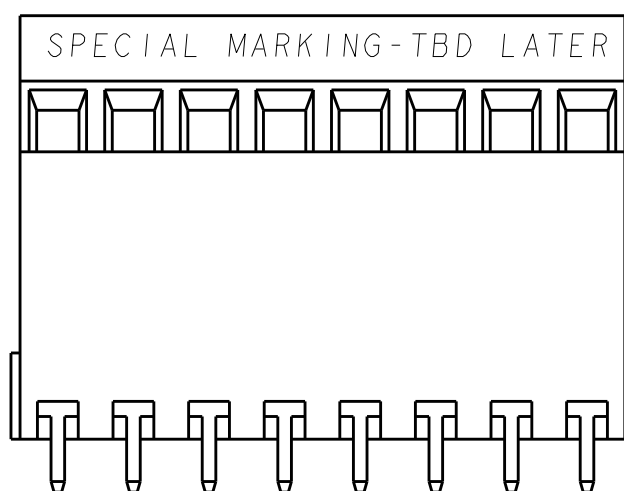
282884-6 AS SHOWN



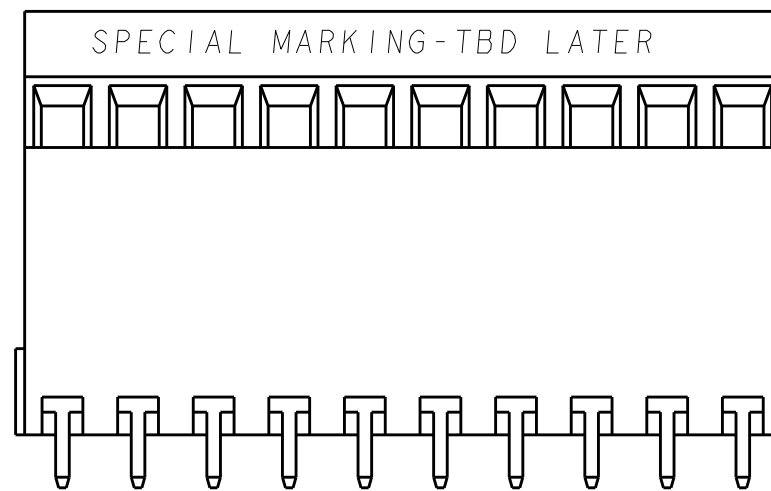
282884-7 AS SHOWN



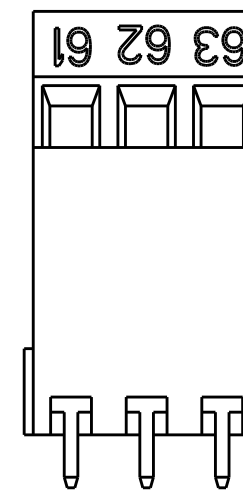
282884-8 AS SHOWN



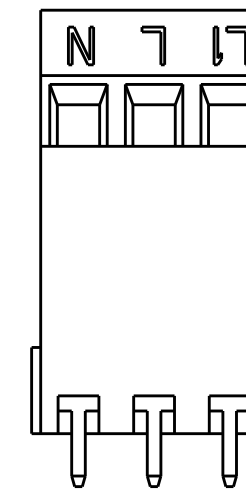
~~282884-9 AS SHOWN~~  
OBSOLETE



~~282884-0 AS SHOWN~~  
OBSOLETE



~~282884-1 AS SHOWN~~  
OBSOLETE



~~282884-3 AS SHOWN~~  
OBSOLETE



THIS DRAWING IS A CONTROLLED DOCUMENT.

DIMENSIONS:	TOLERANCES UNLESS OTHERWISE SPECIFIED:
mm	
	0 PLC ±-
	1 PLC ±.3
	2 PLC ±.25
	3 PLC ±-
	4 PLC ±-
	ANGLES ±2

MATERIAL FINISH

DWN	02NOV2001
E. ZANOLINI	
CHK	02NOV2001
D. BIEVENOUR	
APVD	02NOV2001
D. BIEVENOUR	
PRODUCT SPEC	108-21066
APPLICATION SPEC	114-20079
WEIGHT	-

CUSTOMER DRAWING



NAME				RESTRICTED TO	
TERMINAL BLOCK, PCB MOUNT					
3RD LEVEL					
STACKING W/ INTERLOCK, 5 mm PITCH					
SIZE	CAGE CODE	DRAWING NO			
A3	00779	C-282884			
SCALE		SHEET		REV	
2:1		2 OF 3		F3	

THIS DRAWING IS UNPUBLISHED.

RELEASED FOR PUBLICATION 20

© COPYRIGHT 20 BY - ALL RIGHTS RESERVED.

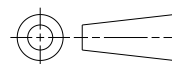
REVISIONS

P	LTR	DESCRIPTION	DATE	DWN	APVD
-		SEE SHEET 1	-	-	-

- 1 MATERIALS AND FINISH  
HOUSING: PA 6-6, UL 94-V0, COLOR GREEN.  
CLAMP: BRASS, NICKEL PLATED.  
TERMINAL: BRASS, TIN PLATED.  
CLAMPING SCREW: M3, BRASS, NICKEL PLATED.
- 2. SUITABLE FOR 1,6-2,4mm PC BOARD THICKNESS.
- 3. END-TO-END STACKABLE W/INTERLOCK WITHOUT LOSS OF CENTERLINE SPACING.
- 4. WIRE SIZE RANGE: 16-30 AWG.
- 5. RECOGNIZED UNDER THE COMPONENT PROGRAM OF UNDERWRITERS LABORATORIES INC., FILE NO E60677.
- 6. IMQ CERTIFICATE WITH SURVEILLANCE IN CONFORMITY WITH IEC 998-1/998-2-1.
- 7 NOT CUMULATIVE TOLERANCE.
- 8 INK MARKING, BLACK COLOR
- 9 PART NUMBER IS OBTAINED BY ASSEMBLYING AND GLUING TOGETHER No.4 CONNECTORS P/N 282884-2
- 10 PART NUMBER IS OBTAINED BY ASSEMBLYING AND GLUING TOGETHER No.5 CONNECTORS P/N 282884-2

THIS DRAWING IS A CONTROLLED DOCUMENT.

DIMENSIONS:  
mm



TOLERANCES UNLESS OTHERWISE SPECIFIED:

0 PLC	±-
1 PLC	±.3
2 PLC	±.25
3 PLC	±-
4 PLC	±-
ANGLES	±2

MATERIAL

FINISH

DWN 02NOV2001  
E. ZANOLINI  
CHK 02NOV2001  
D. BIEVENOUR  
APVD 02NOV2001  
D. BIEVENOUR

PRODUCT SPEC  
108-21066  
APPLICATION SPEC  
114-20079

WEIGHT

-



NAME  
TERMINAL BLOCK, PCB MOUNT  
3RD LEVEL  
STACKING W/ INTERLOCK, 5 mm PITCH

SIZE	CAGE CODE	DRAWING NO	RESTRICTED TO
A3	00779	C-282884	-

CUSTOMER DRAWING

SCALE 2:1 SHEET 3 OF 3 REV F3

## **X-ON Electronics**

Largest Supplier of Electrical and Electronic Components

*Click to view similar products for [Fixed Terminal Blocks](#) category:*

*Click to view products by [TE Connectivity](#) manufacturer:*

Other Similar products are found below :

[00175550202](#) [MBE-1512](#) [MBE-1520](#) [MBE-154](#) [MBE-156](#) [MBES-1510](#) [MBES-153](#) [MBES-156](#) [MH-2512](#) [MHE-132](#) [MHE-133](#) [MHE-163](#)  
[MI-254 \(35\)](#) [MI-272](#) [8739](#) [880507](#) [880508](#) [MPT-275](#) [1546551-6](#) [ELM023100](#) [ELM10110G](#) [ELVD12100](#) [BA311TU](#) [BA411SU](#) [MV-152](#)  
[MV-253/NCNOC](#) [MV-254-D](#) [MV-255](#) [MV-462](#) [MV-472](#) [MV-493](#) [MVE-252](#) [MVE-253](#) [MVE-258](#) [MVE-273](#) [MVEB-153](#) [1700096](#)  
[1702246](#) [1705142](#) [1712417](#) [1713020](#) [1713088](#) [1776118-2](#) [1790852](#) [1-796689-8](#) [1-796692-6](#) [1800001](#) [1800114](#) [1823215](#) [1838462](#)