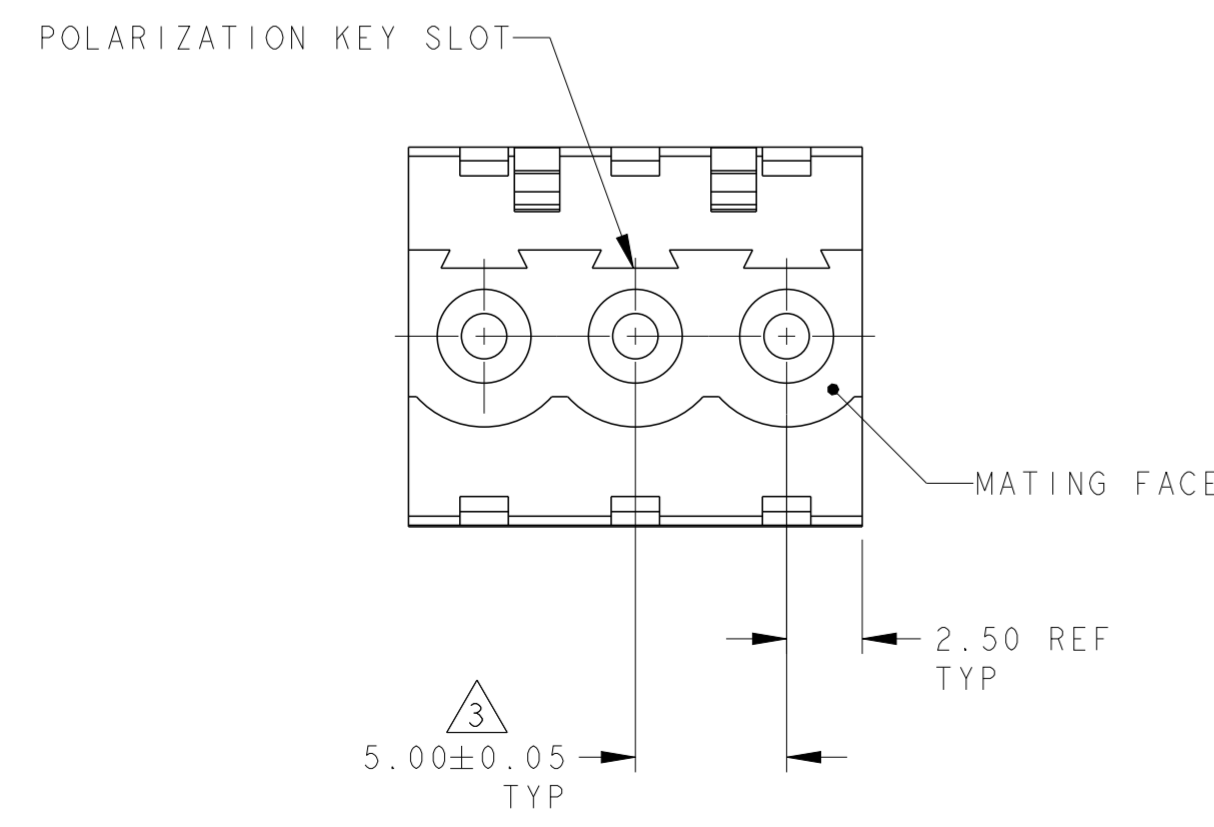
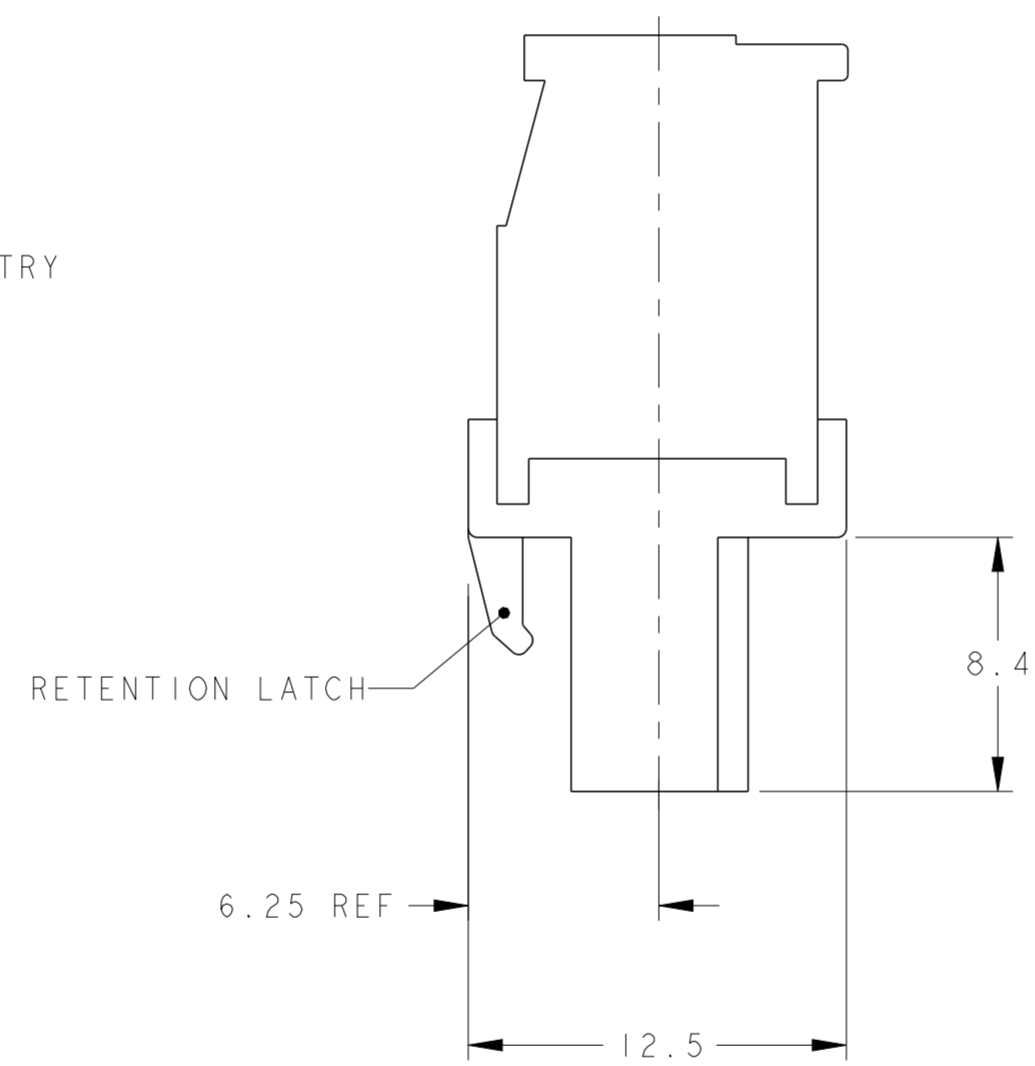
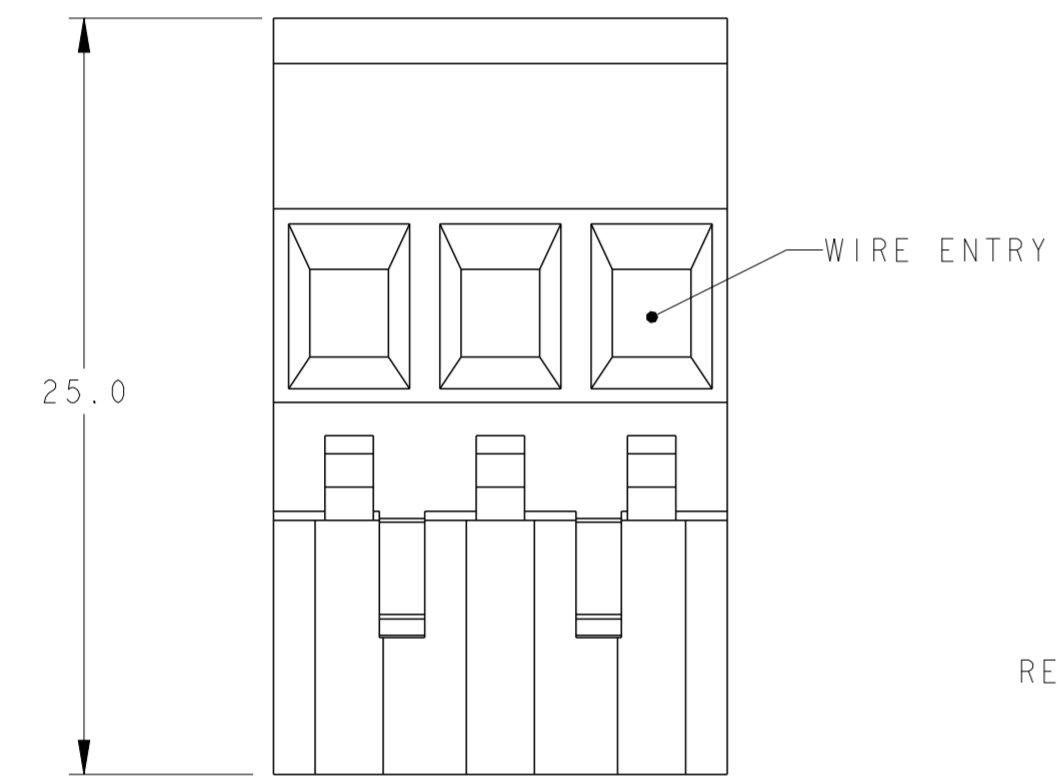
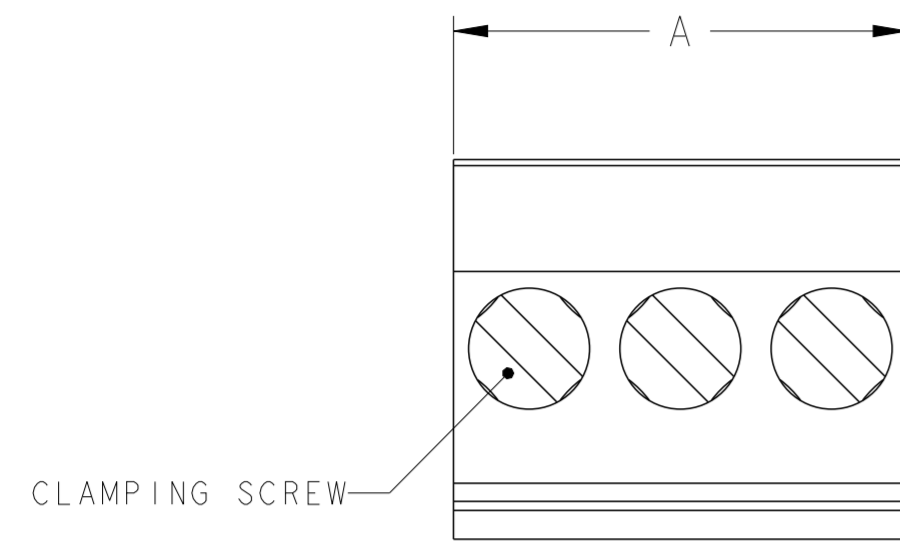


THIS DRAWING IS UNPUBLISHED. RELEASED FOR PUBLICATION 20
 © COPYRIGHT 20 BY - ALL RIGHTS RESERVED.

LOC	DIST	REVISIONS					
FT	0	P	LTR	DESCRIPTION	DATE	DWN	APVD
		E3		REVISED PER ECO-14-015436	13OCT2014	NK	MM

- 1 MATERIALS AND FINISH
 HOUSING: PA 6-6, UL 94-V0, COLOR: GREEN.
 CLAMP: BRASS, NICKEL PLATED.
 CONTACT SPRING : PHOSPHOR BRONZE, TIN PLATED.
 CLAMPING SCREW: M3, BRASS, NICKEL PLATED.
- 2 WIRE SIZE RANGE: 12 - 30 AWG.
- 3 NOT CUMULATIVE TOLERANCE.
- 4 INK MARKING, COLOR: BLACK.
- 5 WIRE ENTRY CLOSED
- 6 PRELIMINARY - NOT RELEASED FOR PRODUCTION
- 7 HOUSING: PA 6-6, UL 94-V0, COLOR:YELLOW

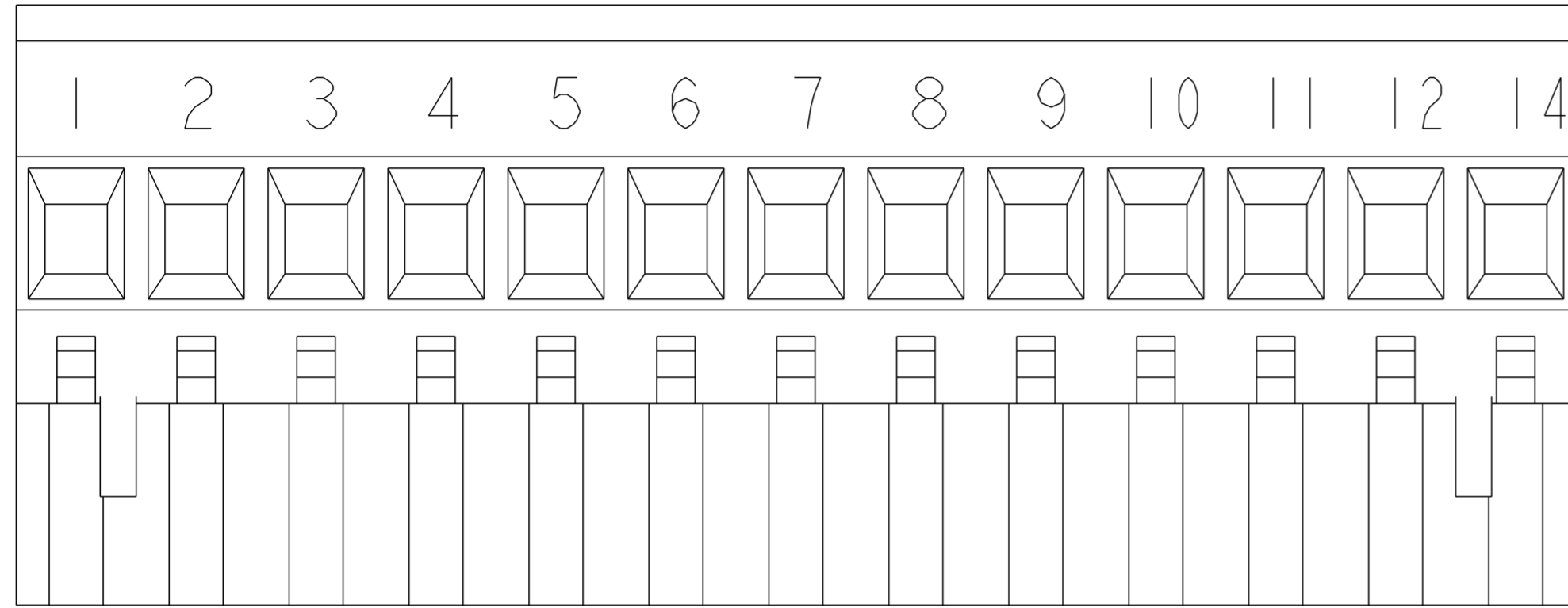


7	6	TIN PLATED	-	15.0	3	3-284046-6
	6	TIN PLATED	SEE SHEET 3	70.0	14	3-284046-5
	6	TIN PLATED	SEE SHEET 3	50.0	10	3-284046-4
	6	TIN PLATED	SEE SHEET 3	90.0	18	3-284046-3
	6	TIN PLATED	SEE SHEET 3	80.0	16	3-284046-2
		TIN PLATED	SEE SHEET 2	15.0	3	3-284046-1
			SEE SHEET 2	10.0	2	3-284046-0
		0.00076[.000030]	SEE SHEET 2	25.0	5	2-284046-9
		SELECT GOLD	-	25.0	5	2-284046-8
			SEE SHEET 2	65.0	13	2-284046-7
			SEE SHEET 2	40.0	8	2-284046-6
			-	125.0	25	2-284046-5
			-	120.0	24	2-284046-4
			-	115.0	23	2-284046-3
			-	110.0	22	2-284046-2
			-	150.0	21	2-284046-1
			-	100.0	20	2-284046-0
			-	95.0	19	1-284046-9
			-	90.0	18	1-284046-8
			-	85.0	17	1-284046-7
			-	80.0	16	1-284046-6
			-	75.0	15	1-284046-5
			-	70.0	14	1-284046-4
			-	65.0	13	1-284046-3
			-	60.0	12	1-284046-2
			-	55.0	11	1-284046-1
			-	50.0	10	1-284046-0
			-	45.0	9	284046-9
			-	40.0	8	284046-8
			-	35.0	7	284046-7
			-	30.0	6	284046-6
			-	25.0	5	284046-5
			-	20.0	4	284046-4
			-	15.0	3	284046-3
			-	10.0	2	284046-2

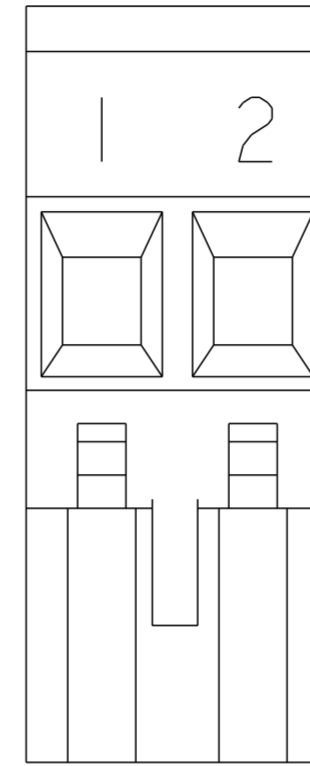
THIS DRAWING IS A CONTROLLED DOCUMENT.		DWN S. WELDON 05FEB2003	TE Connectivity	
DIMENSIONS: mm		CHK C. RICHARD 05FEB2003		
TOLERANCES UNLESS OTHERWISE SPECIFIED:		APVD C. RICHARD 05FEB2003	NAME	
0 PLC ±-		PRODUCT SPEC	TERMINAL BLOCK, VERTICAL PLUG, STACKING, RIGHT HAND, 5.00mm PITCH	
1 PLC ±0.30		APPLICATION SPEC	SIZE	RESTRICTED TO
2 PLC ±0.25		WEIGHT	A20779	
3 PLC ±-		CUSTOMER DRAWING	CAGE CODE	
4 PLC ±-		SCALE 4:1	DRAWING NO	
ANGLES ±2°		SHEET 1 OF 3	REV E3	
FINISH				

THIS DRAWING IS UNPUBLISHED. RELEASED FOR PUBLICATION 20
 © COPYRIGHT 20 BY - ALL RIGHTS RESERVED.

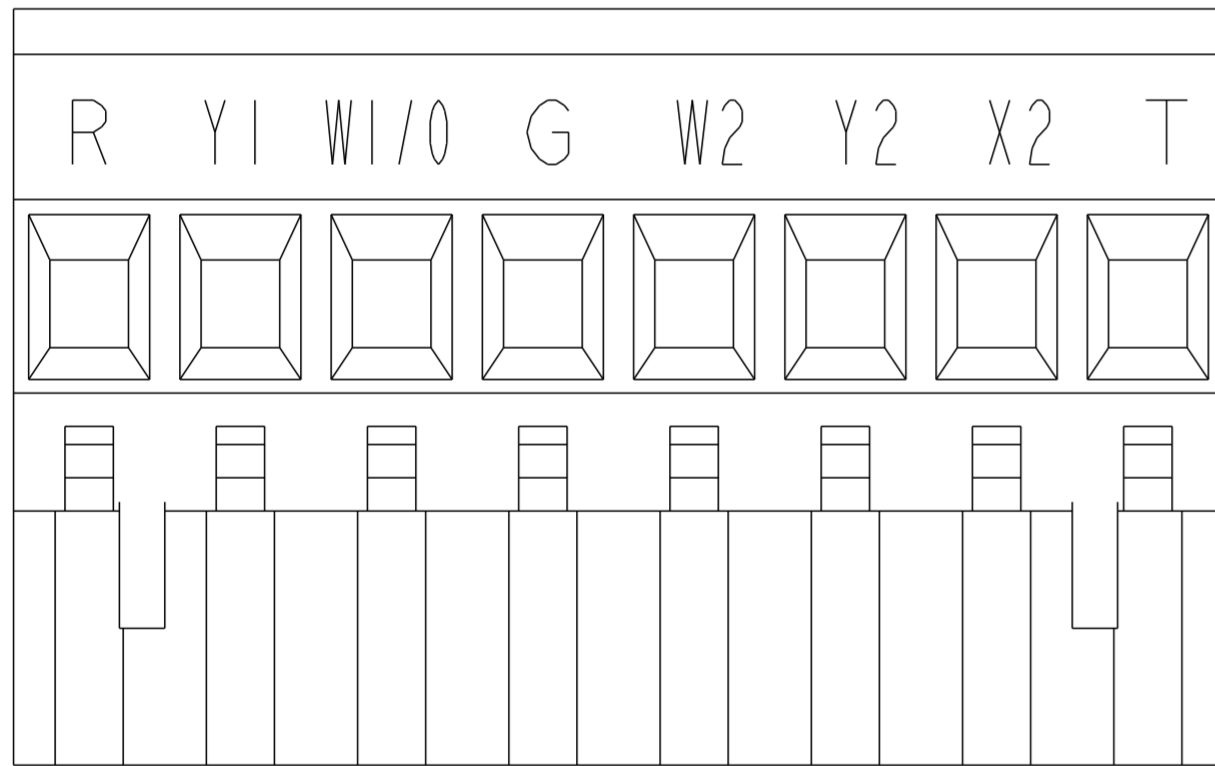
LOC	DIST	REVISIONS					
FT	0	P	LTR	DESCRIPTION	DATE	DWN	APVD
		-		SEE SHEET 1	-	-	-



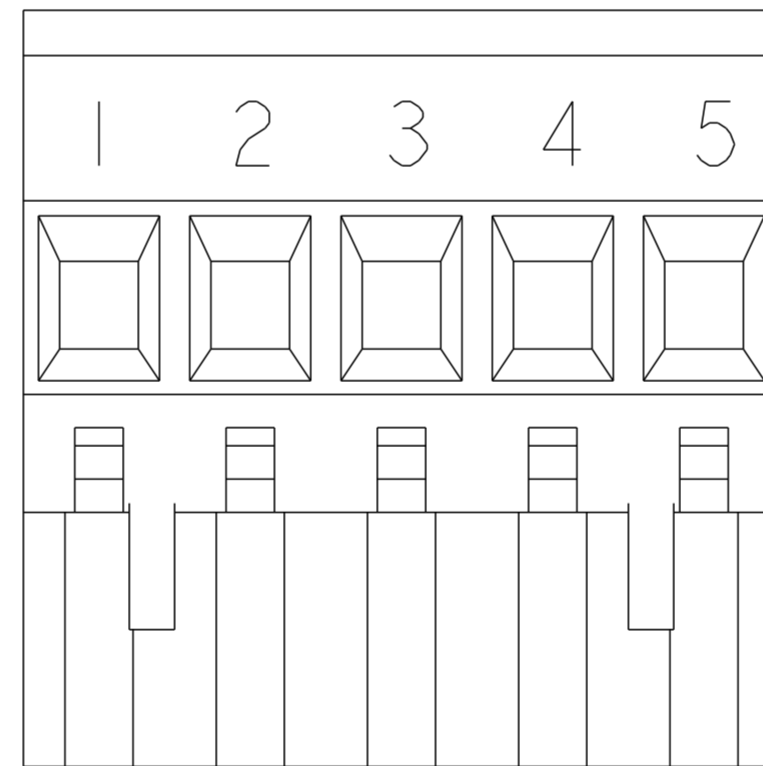
2-284046-7 AS SHOWN



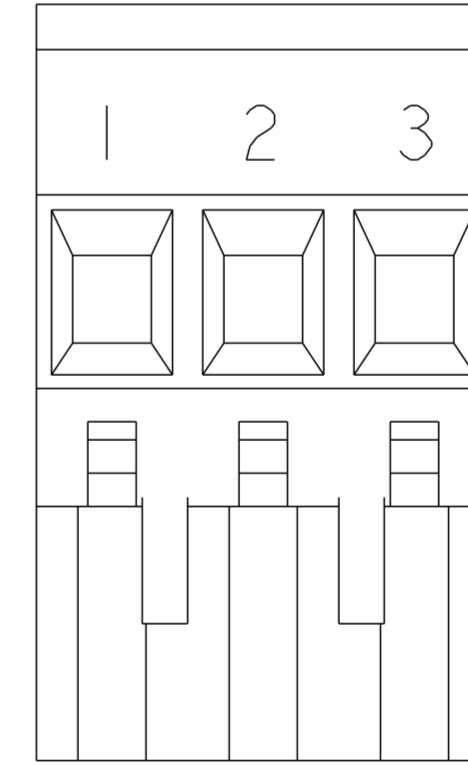
3-284046-0 AS SHOWN




2-284046-6 AS SHOWN



2-284046-9 AS SHOWN

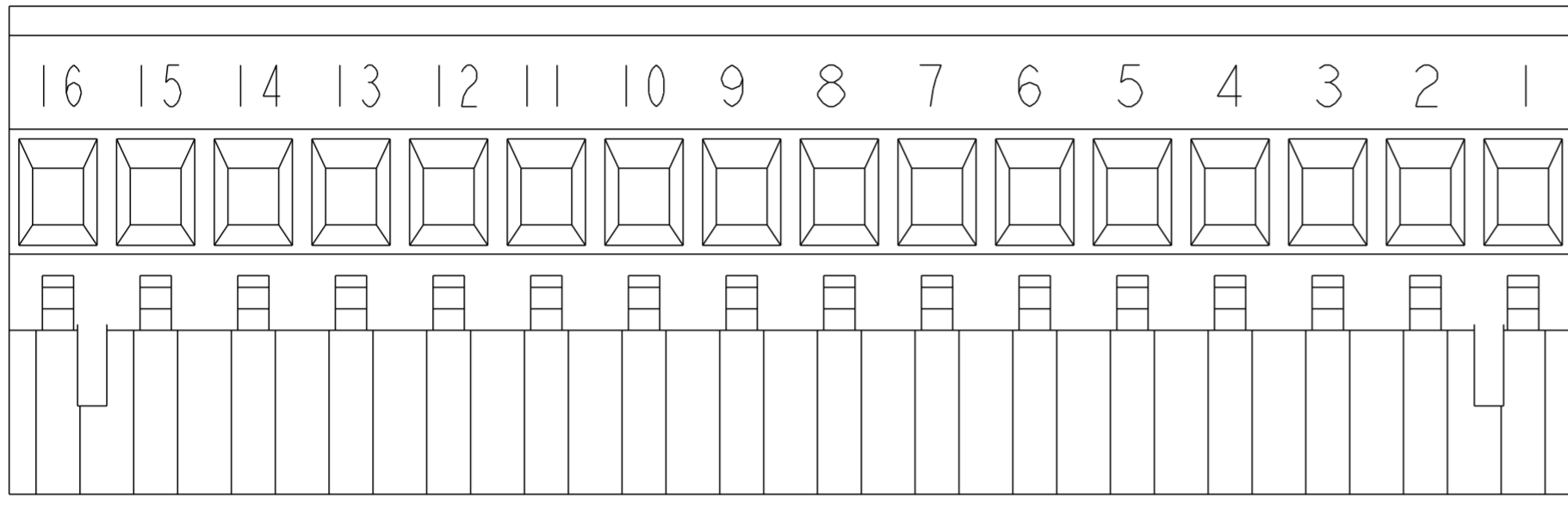


3-284046-1 AS SHOWN

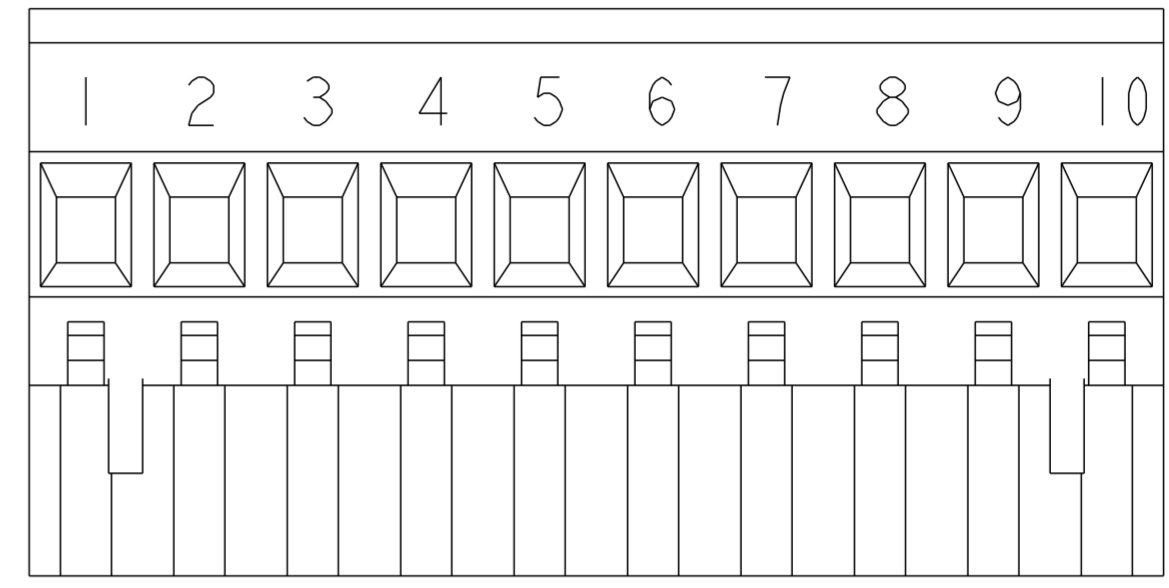
THIS DRAWING IS A CONTROLLED DOCUMENT.		DWN S. WELDON 05FEB2003	 TE Connectivity	
DIMENSIONS: mm		CHK C. RICHARD 05FEB2003		
TOLERANCES UNLESS OTHERWISE SPECIFIED:		APVD C. RICHARD 05FEB2003	NAME TERMINAL BLOCK, VERTICAL PLUG, STACKING, RIGHT HAND, 5.00mm PITCH	
0 PLC ± 1 PLC ±0.30 2 PLC ±0.25 3 PLC ± 4 PLC ± ANGLES ±2° FINISH		PRODUCT SPEC -	SIZE A20779	CAGE CODE C-284046
MATERIAL		APPLICATION SPEC -	DRAWING NO C-284046	RESTRICTED TO -
		WEIGHT -	SCALE 4:1	SHEET 2 OF 3
		CUSTOMER DRAWING	REV E3	

THIS DRAWING IS UNPUBLISHED. RELEASED FOR PUBLICATION 20
 © COPYRIGHT 20 BY - ALL RIGHTS RESERVED.

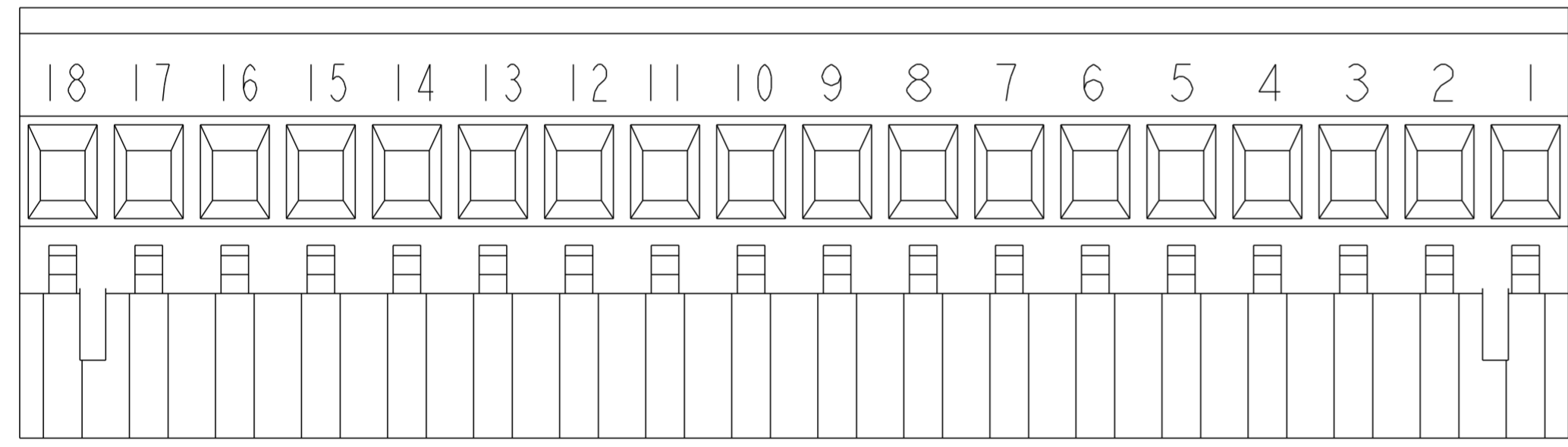
LOC	DIST	REVISIONS			
P	LTR	DESCRIPTION	DATE	DWN	APVD
FT	0	-	SEE SHEET 1	-	-



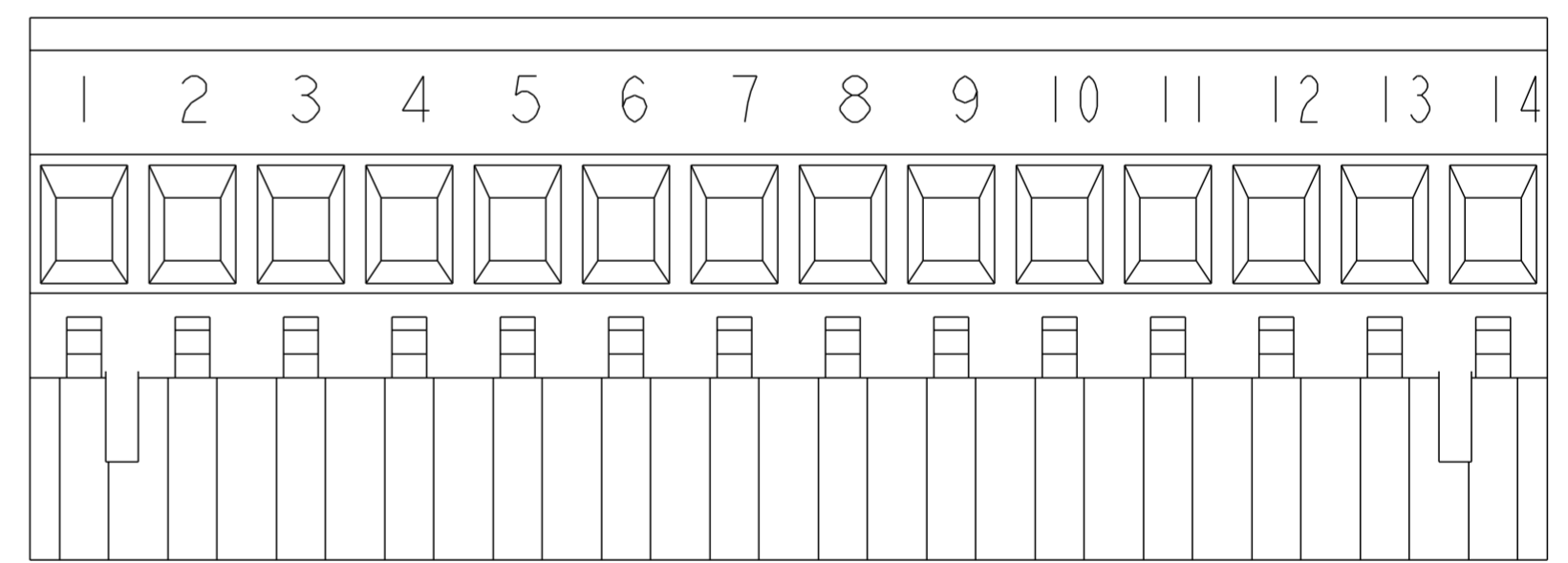
3-284046-2 AS SHOWN $\triangle 5$




3-284046-4 AS SHOWN



3-284046-3 AS SHOWN $\triangle 5$



3-284046-5 AS SHOWN

THIS DRAWING IS A CONTROLLED DOCUMENT.		DWN S. WELDON 05FEB2003	 TE Connectivity	
DIMENSIONS: mm		CHK C. RICHARD 05FEB2003		
TOLERANCES UNLESS OTHERWISE SPECIFIED:		APVD C. RICHARD 05FEB2003	NAME TERMINAL BLOCK, VERTICAL PLUG, STACKING, RIGHT HAND, 5.00mm PITCH	
0 PLC ± 1 PLC ±0.30 2 PLC ±0.25 3 PLC ± 4 PLC ± ANGLES ±2° FINISH		PRODUCT SPEC -	SIZE A200779	DRAWING NO C-284046
MATERIAL		APPLICATION SPEC -	RESTRICTED TO -	
		WEIGHT -	SCALE 4:1	SHEET 3 OF 3
		CUSTOMER DRAWING	REV E3	

X-ON Electronics

Largest Supplier of Electrical and Electronic Components

Click to view similar products for [Pluggable Terminal Blocks](#) category:

Click to view products by [TE Connectivity](#) manufacturer:

Other Similar products are found below :

[57.404.7553](#) [57.504.0053.7](#) [57.510.0053](#) [57.910.6153](#) [01.112.1453](#) [CTB932VE/6](#) [MC 1.5/ 6-ST-3.5 GY AU](#) [ET02015000J0G](#) [734-104](#) [734-302](#) [734-304](#) [8-141-P](#) [FKCT 2.5/ 3-ST KMGY](#) [860505](#) [860508](#) [860516](#) [860810](#) [861908](#) [GBPACX-12](#) [93.731.4953.0](#) [PV05-5,08-K](#) [PVP02-5,00](#) [PVP04-3,50](#) [PVS02-5,00](#) [1-1986160-3](#) [H-10](#) [1546228-5](#) [ELFP03110](#) [ELVP03100](#) [ELXH03100](#) [ELXP041G0](#) [ELXT046G0](#) [1700101](#) [1700410](#) [1700425](#) [1703176](#) [1703243](#) [1705229](#) [1710175](#) [1714537](#) [1717806](#) [1719600](#) [1728941](#) [1729386](#) [1734692](#) [1734795](#) [1736036](#) [1740194](#) [1740291](#) [1740628](#)