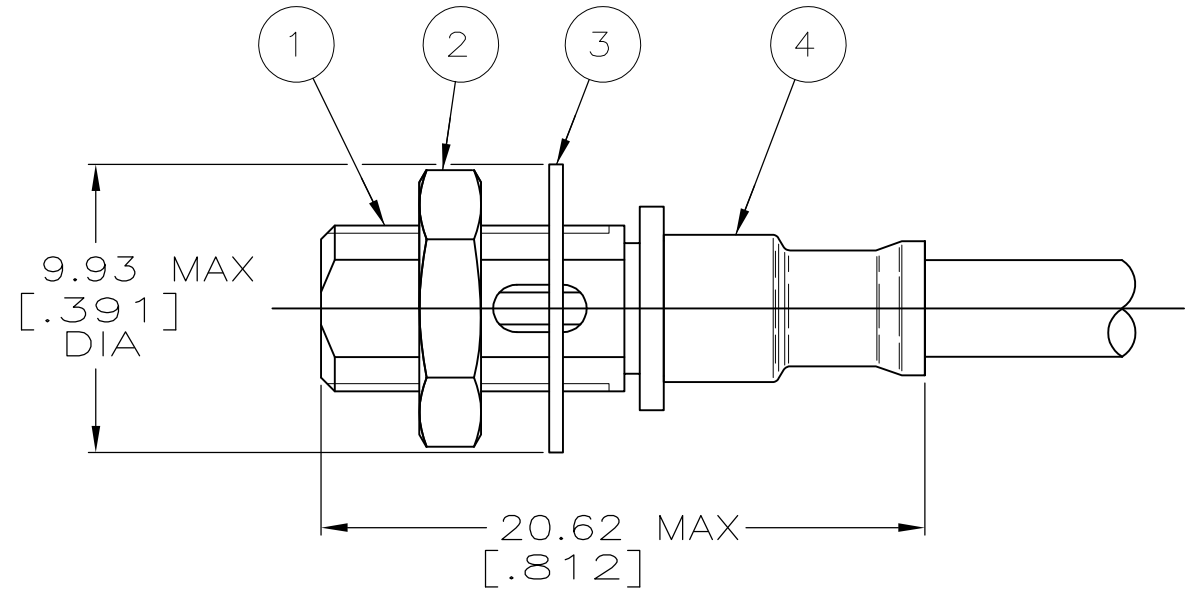


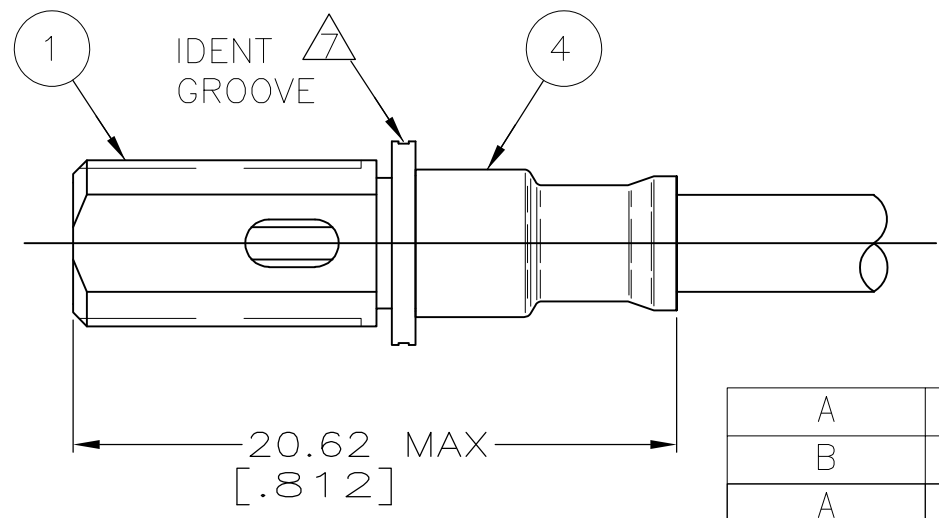
THIS DRAWING IS UNPUBLISHED. RELEASED FOR PUBLICATION
 © COPYRIGHT - By - ALL RIGHTS RESERVED.

| LOC | DIST | REVISIONS | | | |
|-----|------|---------------------------|---------|-----|------|
| P | LTR | DESCRIPTION | DATE | DWN | APVD |
| DF | X0 | | | | |
| | R3 | REVISED PER ECO-14-012491 | 15AUG14 | AM | MY |

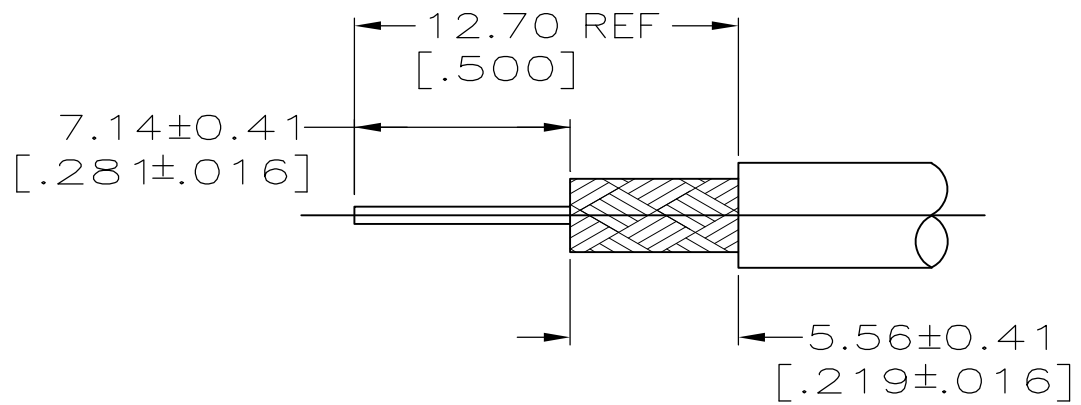


VIEW A

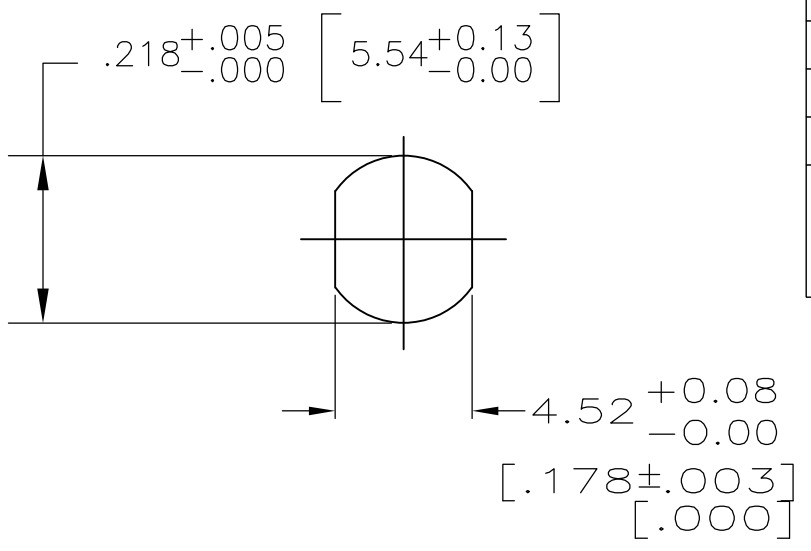
- FOR USE WITH RG-180/U, 180A/U & 195/U CABLE
 - USE CRIMPING TOOL 69143
 - SEE I.S. 1771
 - MAX PANEL THICKNESS = .125
 - PRODUCT IS DESIGNED TO MEET PRODUCT SPECIFICATION 108-12013
 - PARTS PACKAGED UNASSEMBLED
- .013X .002 DEEP IDENT GROOVE, ONLY FOR 1-330599-5
 RESTRICTED SALES TO PROVIBTECH.



VIEW B



RECOMMENDED STRIP LENGTH



RECOMMENDED PANEL CUTOUT

| | | | | | |
|------|------------------|---------------------|------------------|------------------------------|-------------|
| A | 1883198-1 | 5-328691-0 | 5-328690-0 | 5-330598-0 | 6-330599-0 |
| B | 3-329049-0 | - | - | 330598-3 | 1-330599-5 |
| A | 329049 | 328691 | 328690 | 330598-2 | 1-330599-4 |
| B | 3-329049-0 | - | - | 330598-1 | 1-330599-3 |
| A | 3-329049-0 | 1-328691-2 | 1-328690-2 | 330598-1 | 1-330599-2 |
| B | 329049 | - | - | 330598 | 1-330599-1 |
| A | 329049 | 328691 | 328690 | 330598 | 1-330599-0 |
| - | - | 328691 | 328690 | 330598 | 330599 |
| VIEW | FERRULE QTY=1 | LOCKWASHER QTY=1 | JAM NUT QTY=1 | RECEPTACLE ASSEMBLY QTY=1 | PART NUMBER |

THIS DRAWING IS A CONTROLLED DOCUMENT.

| | | | |
|--------------------|-----------------------------------------------------------------------------|---------------------------|-----------------------------------------|
| DIMENSIONS: INCHES | TOLERANCES UNLESS OTHERWISE SPECIFIED: | DWN B. WERNER 07/JUL/95 | TE Connectivity |
| | 0 PLC ± - 1 PLC ± - 2 PLC ± - 3 PLC ± - 4 PLC ± - ANGLES ± - | CHK G. MICHAEL 13/JUL/95 | |
| MATERIAL SEE TABLE | FINISH - | APVD G. MICHAEL 13/JUL/95 | NAME |
| | | PRODUCT SPEC - | RECEPTACLE, SERIES MINIATURE THREADED |
| | | APPLICATION SPEC - | SIZE CAGE CODE DRAWING NO RESTRICTED TO |
| | | WEIGHT - | A3 00779 C-330599 |
| | | CUSTOMER DRAWING | SCALE 4:1 SHEET 1 OF 1 REV R3 |

X-ON Electronics

Largest Supplier of Electrical and Electronic Components

Click to view similar products for [RF Connectors / Coaxial Connectors](#) category:

Click to view products by [TE Connectivity](#) manufacturer:

Other Similar products are found below :

[R125315120](#) [8915-1511-000](#) [89674-0827](#) [5916-1103-603](#) [0106-001-000](#) [6-0001-3](#) [6001-7071-019](#) [6002-7051-003](#) [6002-7551-202](#) [6059674-1](#) [619550-1](#) [630059-000](#) [M39012/25-0021](#) [M39012/79-3008](#) [M39030/3-01N](#) [M39030/3-03N](#) [M3933/25-36N](#) [6500-7071-046](#) [6501-1071-002](#) [M83723/72W2457N](#) [6769](#) [CX050L2AQ](#) [7002-1541-010](#) [7002-1572-002](#) [7003-1572-002](#) [7004-1512-000](#) [7009-1511-004](#) [7010-1511-000](#) [7029-1511-060](#) [7101-1541-010](#) [7101-1571-002](#) [7105-1521-002](#) [7145-1521-002](#) [7209-1511-011](#) [7210-1511-012](#) [7210-1511-015](#) [7210-1511-019](#) [7210-1511-040](#) [7225-1512-050](#) [7242-1511-000](#) [73137-5015](#) [73251-0111](#) [73251-0672](#) [73276-1501](#) [73366-0013](#) [73404-2300](#) [73413-6080](#) [73415-5721](#) [7405-1521-005](#) [7405-1521-802](#)