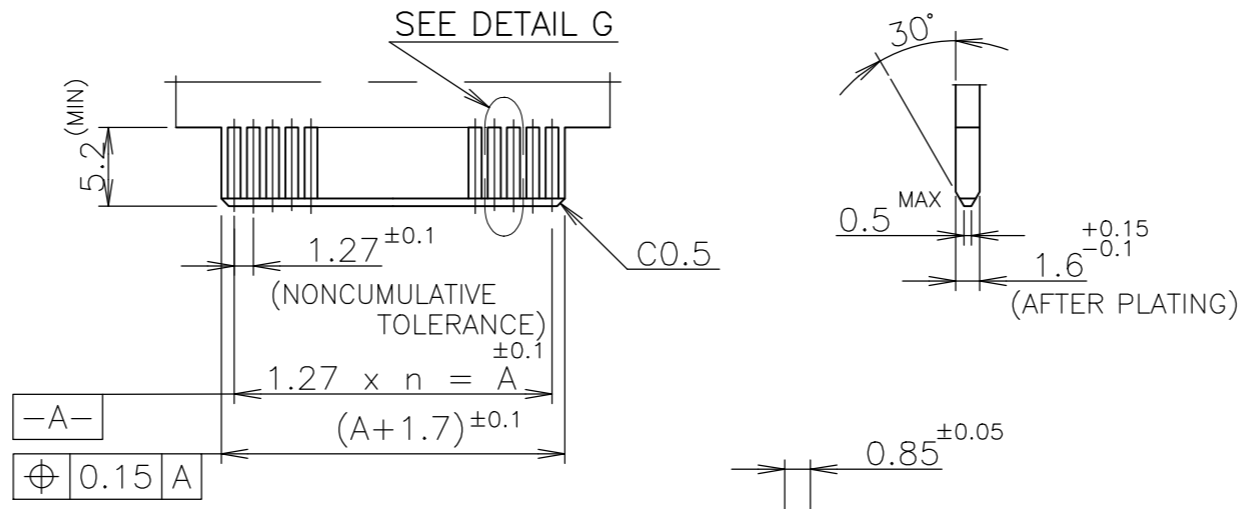
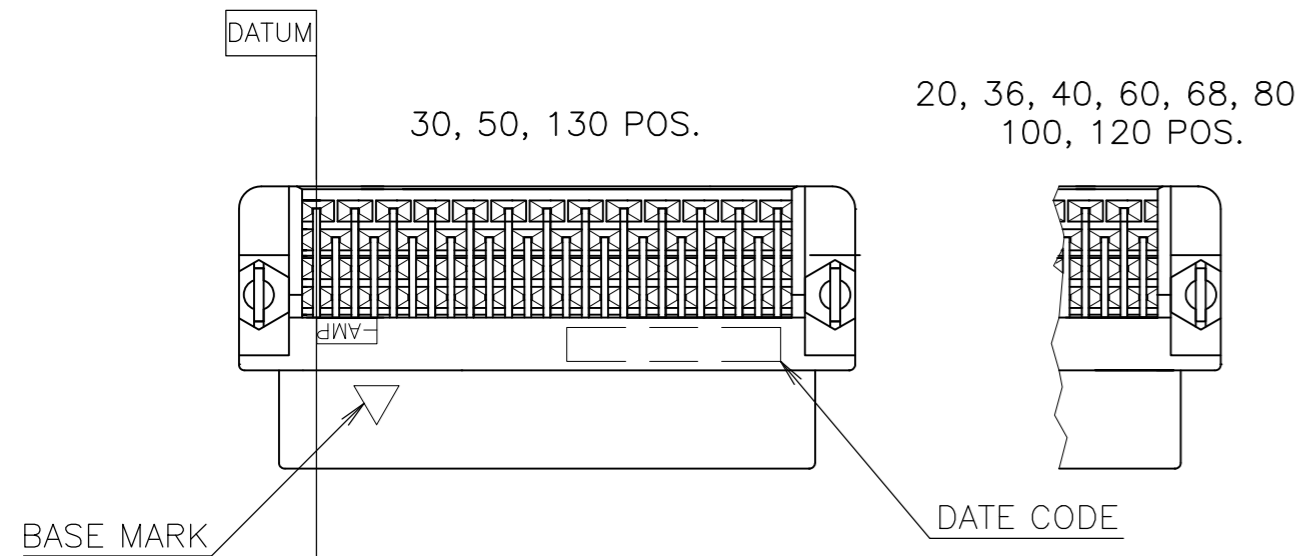
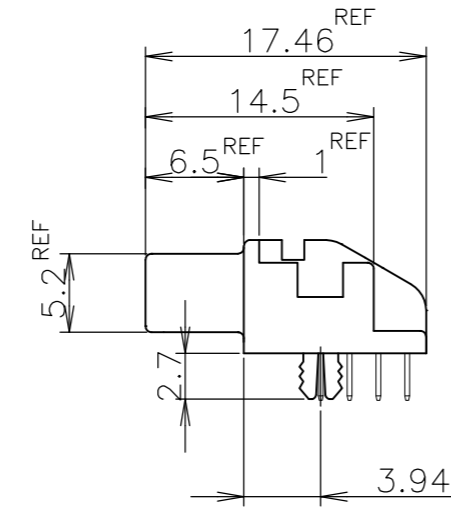
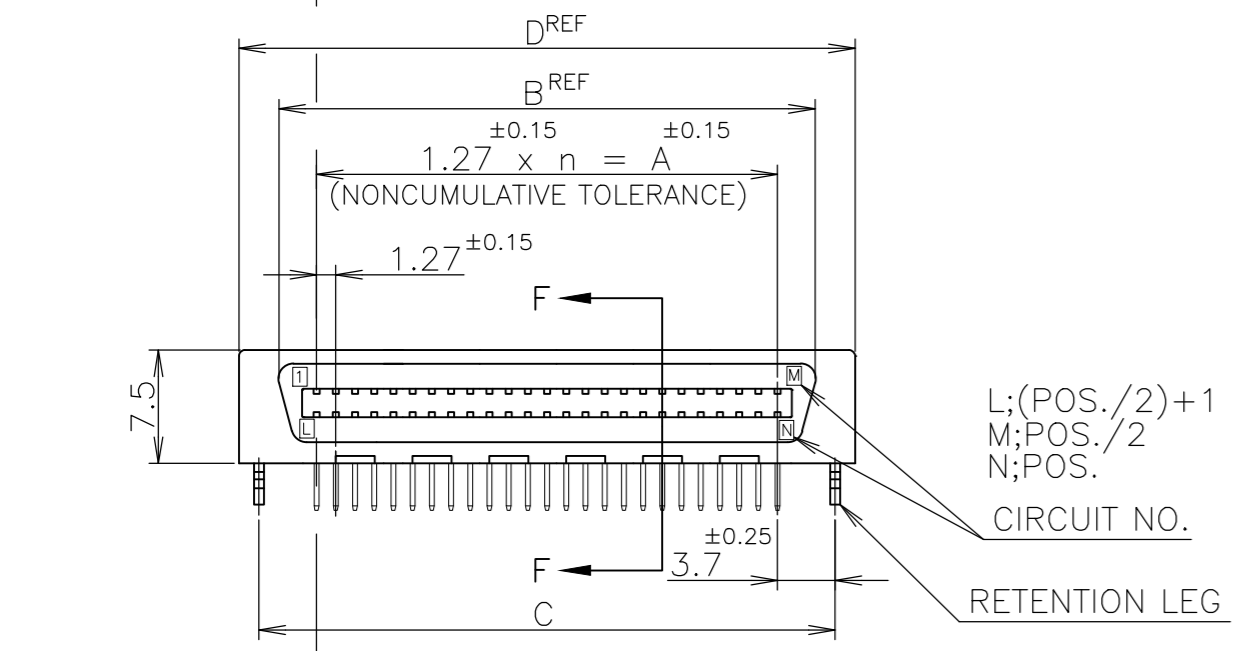


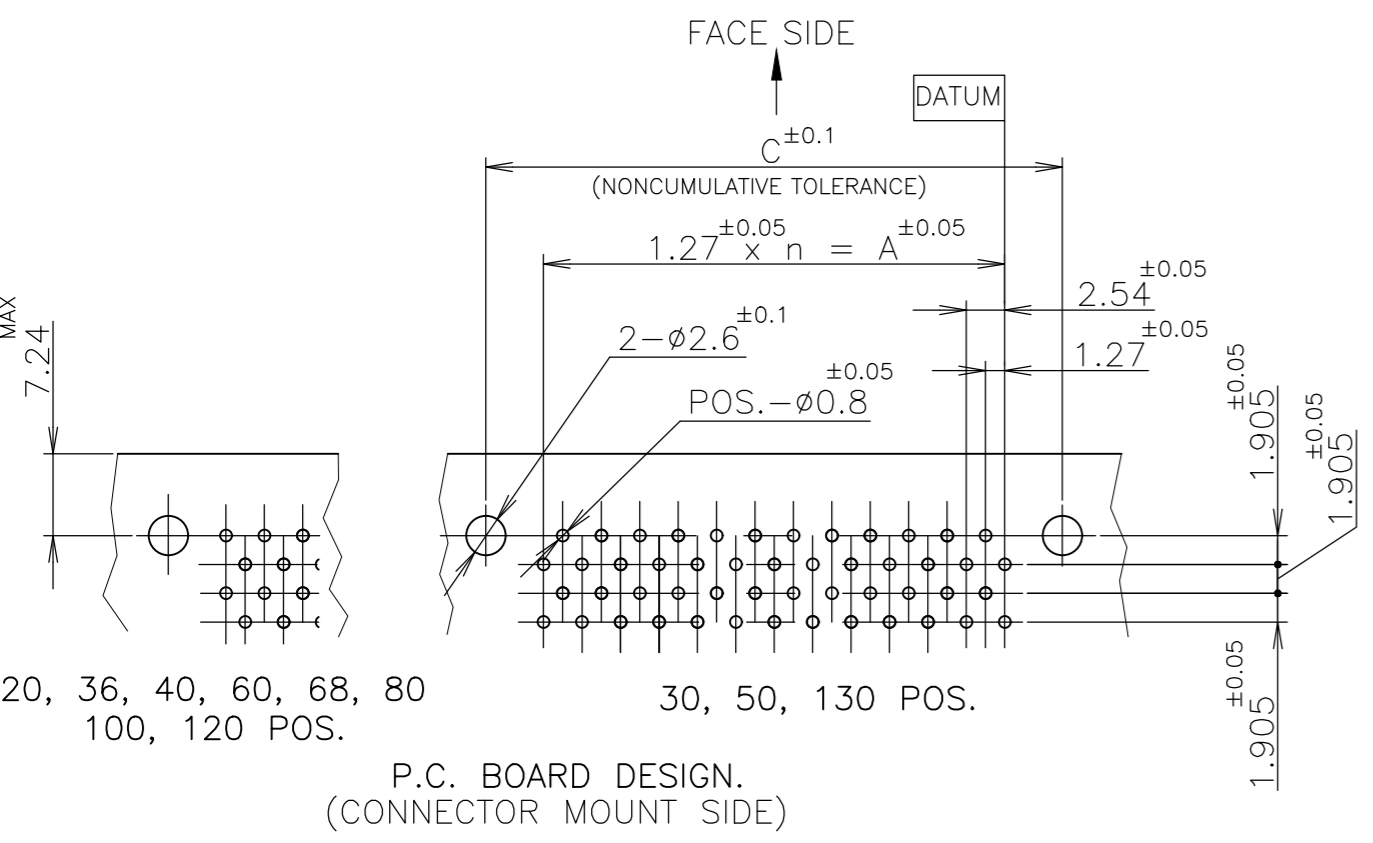
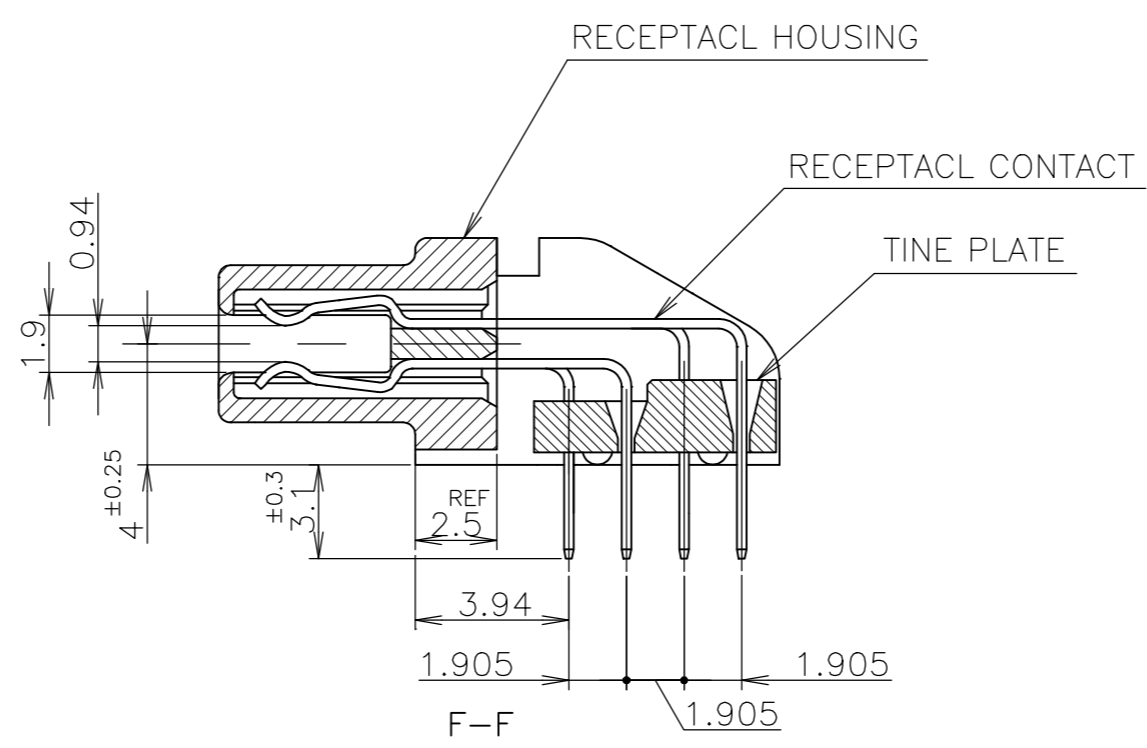
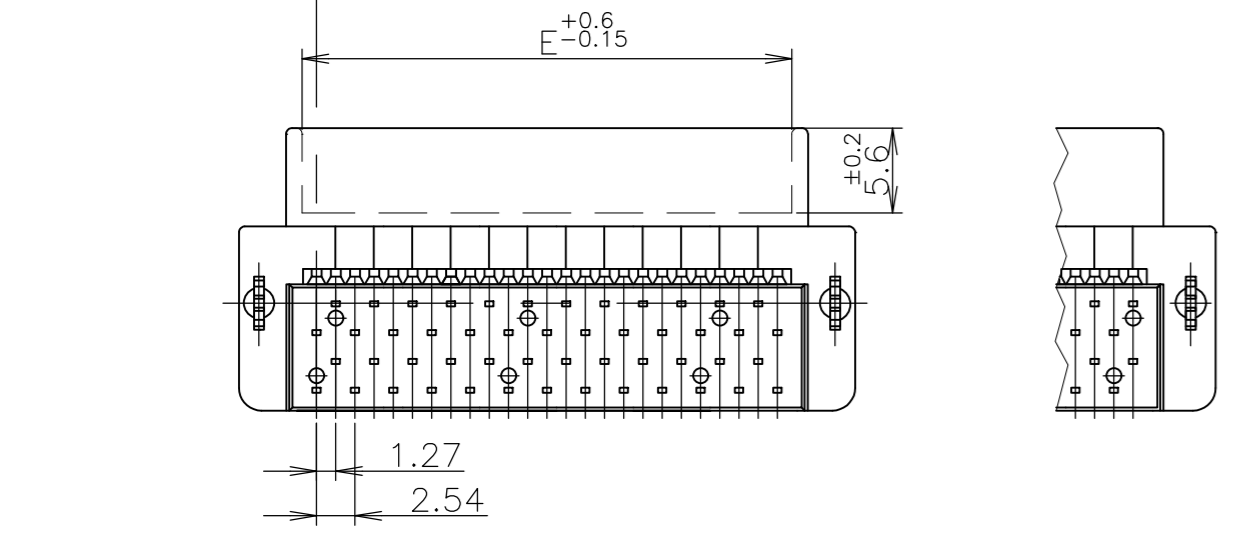
REVISIONS					
P	LTR	DESCRIPTION	DATE	DWN	APVD
S		REVISED PER ECO-17-008763	22JAN2018	RG	SH



- 1 NUMBER "n" IS COUNTED FROM DATUM (CIRCUIT NO.1 IS "AMP" MARK SIDE.)
- 2 MATERIAL: HOUSING, 66 NYLON (GF) UL 94V-0, BLACK.  
: CONTACT, PHOSPHOR BRONZE.  
: RETENTION LEG; BRASS.
- 3 FINISH: CONTACT; Au AT CONTACT AREA (SEE TABLE),  
TIN AT TINE, OVER Ni.  
RETENTION LEG; TIN UNDER Ni.
- 4 P.C. BOARD THK MUST BE 1.6 FOR CARD EDGE CONNECTOR



RECOMMENDED P.C. BOARD DIMENSIONS.  
 4



LEAD FREE

GENERAL TOLERANCE  
 10 ≥ ±0.2  
 30 ≥ > 10: ±0.25  
 100 ≥ > 30: ±0.3  
 ANGLES: ±3°

POS.	n	A	B	C	D	E							
OBSOLETE	6-	2			130	64	81.28	86.82	88.68	92.48	83.18		
OBSOLETE	6-	-1			120	59	74.93	80.47	82.33	86.13	76.83		
	6-	-0			100	49	62.23	67.77	69.63	73.43	64.13		
	5-	-9			80	39	49.53	55.07	56.93	60.73	51.43		
OBSOLETE	5-	-8			68	33	41.91	47.45	49.31	53.11	43.81		
	5-	-7			60	29	36.83	42.37	44.23	48.03	38.73		
	5-	-6			50	24	30.48	36.02	37.88	41.68	32.38		
	5-	-5			40	19	24.13	29.67	31.53	35.33	26.03		
OBSOLETE	5-	-3			30	14	17.78	23.32	25.18	28.98	19.68		
	5-	-1	0.00076		20	9	11.43	16.97	18.83	22.63	13.33		
OBSOLETE	4-	-2			130	64	81.28	86.82	88.68	92.48	83.18		
OBSOLETE	4-	-1			120	59	74.93	80.47	82.33	86.13	76.83		
	4-	-0			100	49	62.23	67.77	69.63	73.43	64.13		
OBSOLETE	3-	-9			80	39	49.53	55.07	56.93	60.73	51.43		
	3-	-8			68	33	41.91	47.45	49.31	53.11	43.81		
	3-	-7			60	29	36.83	42.37	44.23	48.03	38.73		
	3-	-6			50	24	30.48	36.02	37.88	41.68	32.38		
	3-	-5			40	19	24.13	29.67	31.53	35.33	26.03		
	3-	-3			30	14	17.78	23.32	25.18	28.98	19.68		
	3-	-1	0.0005		20	9	11.43	16.97	18.83	22.63	13.33		
OBSOLETE	1-	-2			130	64	81.28	86.82	88.68	92.48	83.18		
OBSOLETE	1-	-1			120	59	74.93	80.47	82.33	86.13	76.83		
	1-	-0			100	49	62.23	67.77	69.63	73.43	64.13		
OBSOLETE		-9			80	39	49.53	55.07	56.93	60.73	51.43		
		-8			68	33	41.91	47.45	49.31	53.11	43.81		
OBSOLETE		-7			60	29	36.83	42.37	44.23	48.03	38.73		
		-6			50	24	30.48	36.02	37.88	41.68	32.38		
		-5			40	19	24.13	29.67	31.53	35.33	26.03		
OBSOLETE		-4			36	17	21.59	27.13	28.99	32.79	23.49		
OBSOLETE		-3			30	14	17.78	23.32	25.18	28.98	19.68		
					20	9	11.43	16.97	18.83	22.63	13.33		
					5175474-1	0.0002							
					PART NO.	Au PLATE	POS.	n	A	B	C	D	E

THIS DRAWING IS A CONTROLLED DOCUMENT.

DWN S.ISHIKAWA 13OCT88  
 CHK Steven Yao 19AUG2004  
 APVD Julyee Zhu 19AUG2004

TE Connectivity Ltd.

CHAMP .050 CONNECTOR(B-T-B)  
 RECEPTACLE CONNECTOR  
 HORIZONTAL WITH RETENTION LEG

108-60038  
 APPLICATION SPEC

WEIGHT 0.000000  
 CUSTOMER DRAWING

SCALE NTS SHEET 1 OF 1 REV S

## X-ON Electronics

Largest Supplier of Electrical and Electronic Components

*Click to view similar products for [Board to Board & Mezzanine Connectors](#) category:*

*Click to view products by [TE Connectivity](#) manufacturer:*

Other Similar products are found below :

[10135583-642402LF](#) [89885-310LF](#) [589158040000018](#) [6-1393048-0](#) [68683-613](#) [MDF7-12DP-2.54DSA](#) [MDF7-18P-2.54DSA\(01\)](#) [MDF7-20DP-2.54DSA](#) [MDF7-26D-2.54DSA\(55\)](#) [MDF7-3P-2.54DSA\(01\)](#) [MDF7B-3P-2.54DSA\(55\)](#) [MDF7C-11P-2.54DSA\(55\)](#) [MDF7C-18P-2.54DSA\(55\)](#) [MDF7C-5P-2.54DSA\(01\)](#) [MDF7P-5P-2.54DSA\(55\)](#) [75234-0516](#) [FCN-230C068-11](#) [FCN-268F012-G/BD](#) [FCN-268F036-G/BD](#) [FCN-268M012-G/0D](#) [FCN-268M024-G/1D](#) [FCN-360C008-C](#) [FCN-360C040-C](#) [FCN-723J004/1](#) [MIS-048-01-F-D-DP-K](#) [832-10-034-10-001000](#) [93696-325LF](#) [11828-1FA](#) [AXK630345P](#) [18097-0013](#) [ICA-328STT](#) [2007042-2](#) [304400-2](#) [FCN-214Q030-G/0](#) [FCN-215Q040-G/0](#) [FCN-230C068-ESA](#) [FCN-234P048-G/0](#) [FCN-235D050-G/C](#) [FCN-360A3](#) [FCN-360C040-B](#) [210-93-314-41-105000](#) [2-22603-0](#) [379-064-521-202](#) [MDF7-12P-2.54DSA\(01\)](#) [MDF7-16P-2.54DS\(56\)](#) [MDF7-40DP-2.54DSA\(55\)](#) [MDF7-8P-2.54DSA\(55\)](#) [MDF7B-16P-2.54DSA\(55\)](#) [AXG720047](#) [5031084030](#)