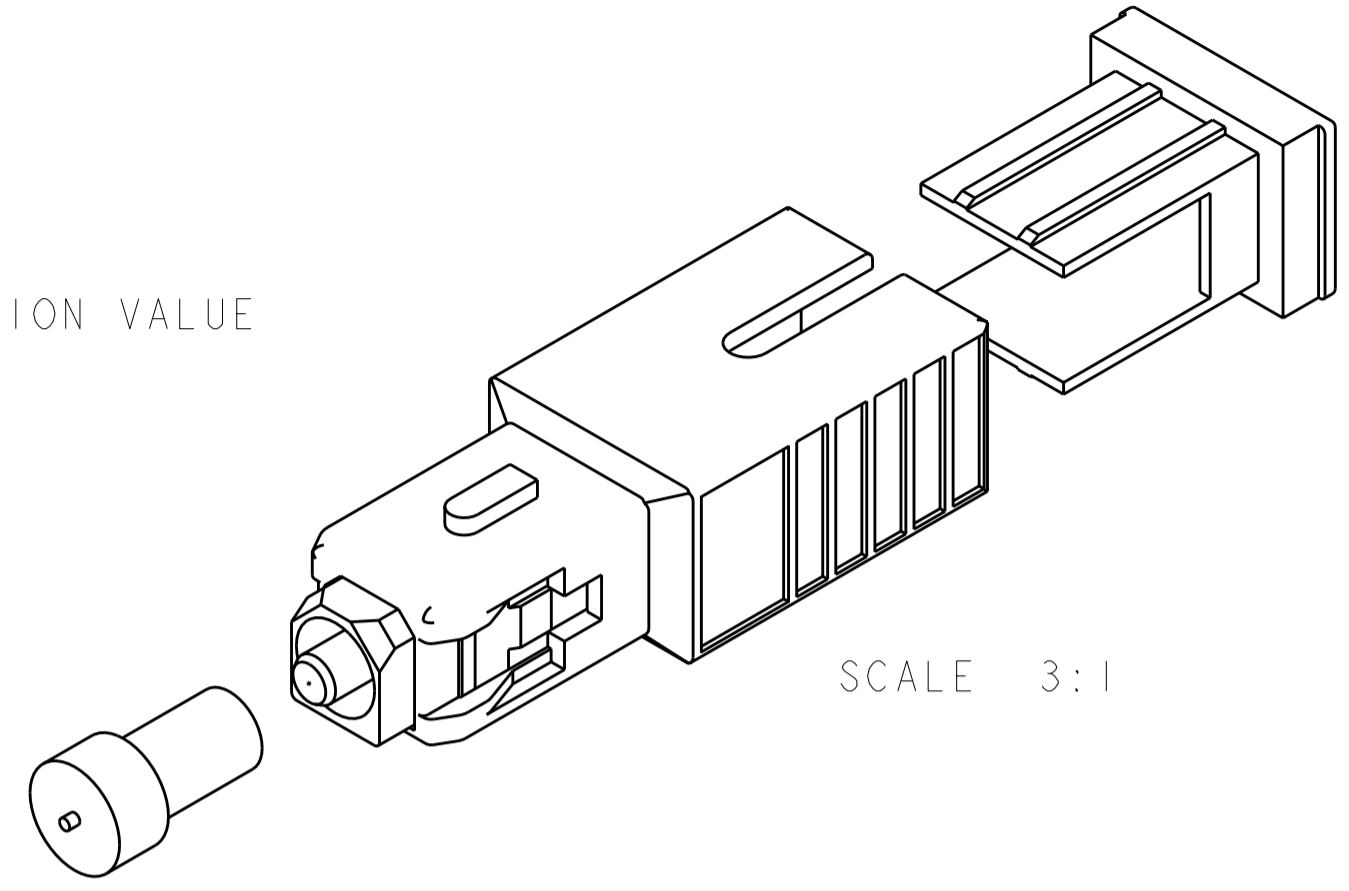


THIS DRAWING IS UNPUBLISHED. RELEASED FOR PUBLICATION 20
 © COPYRIGHT 20 BY TYCO ELECTRONICS CORPORATION. ALL RIGHTS RESERVED.

LOC	DIST	REVISIONS			
P	LTR	DESCRIPTION	DATE	DWN	APVD
CE	00	ADD -16/17/19/21/22/23/24	26MAR2009	JZ	RZ

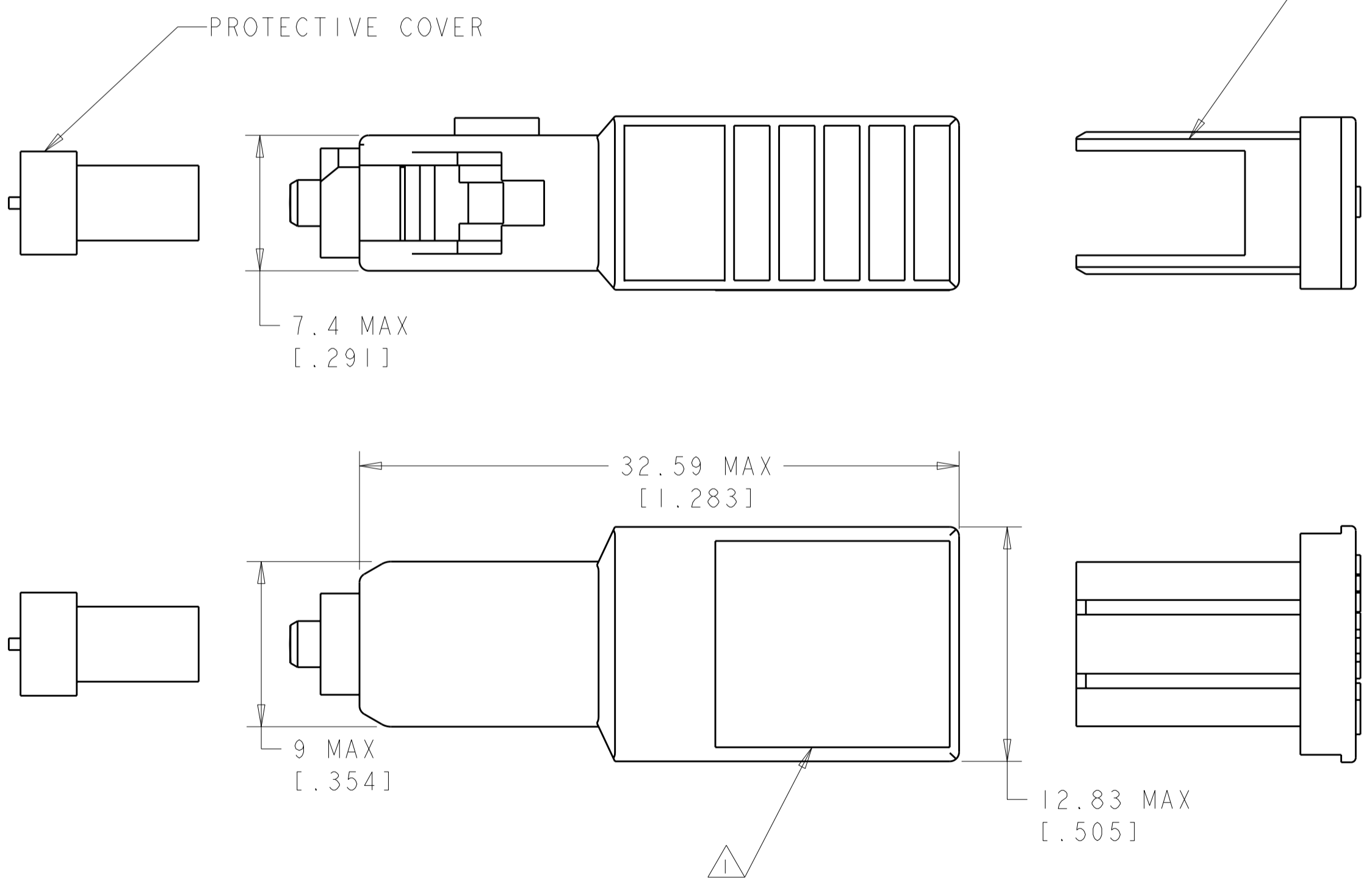
PERFORMANCE REQUIREMENTS:
 OPERATING WAVELENGTH : 1260-1360 & 1430-1625nm
 REFLECTANCE : $\leq -55\text{dB}$
 OPERATING TEMPERATURE : $-40^{\circ}\text{C TO } +75^{\circ}\text{C}$
 ATTENUATION TOLERANCE, AMBIENT :
 FOR 0 dB ATTENUATORS : + 0.50dB MAX
 FOR ATTENUATORS $\leq 5\text{dB}$: $\pm 0.50\text{dB}$
 FOR ATTENUATORS $>5\text{dB}$: $\pm 10\%$ OF NOMINAL ATTENUATION VALUE
 MEASURED WITH REFERENCE QUALITY LAUNCH LEADS

ENDFACE GEOMETRY:
 R.O.C: 10-25mm
 APEX OFFSET: $<50\mu\text{m}$
 FIBER HEIGHT: $\pm 50\text{nm}$



SCALE 3:1

NOMINAL ATTENUATION VALUE (dB)	PART NUMBER
0	9-5209250-9
0.5	7-5209250-0
1	5209250-1
1.5	7-5209250-1
2	5209250-2
2.5	7-5209250-2
3	5209250-3
3.5	7-5209250-3
4	5209250-4
4.5	7-5209250-4
5	5209250-5
5.5	7-5209250-5
6	5209250-6
6.5	7-5209250-6
7	5209250-7
7.5	7-5209250-7
8	5209250-8
9	5209250-9
10	1-5209250-0
11	1-5209250-1
12	1-5209250-2
13	1-5209250-3
14	1-5209250-4
15	1-5209250-5
16	1-5209250-6
17	1-5209250-7
18	1-5209250-8
19	1-5209250-9
20	2-5209250-0
21	2-5209250-1
22	2-5209250-2
23	2-5209250-3
24	2-5209250-4
25	2-5209250-5



TYCO LOGO, ATTENUATION VALUE, PART NUMBER, AND SERIAL NUMBER ARE PRINTED ON THE LABEL.

THIS DRAWING IS A CONTROLLED DOCUMENT FOR TYCO ELECTRONICS CORPORATION. IT IS SUBJECT TO CHANGE AND THE CONTROLLING ENGINEERING ORGANIZATION SHOULD BE CONTACTED FOR THE LATEST REVISION.		DWN: 05DEC2005 E. HOPKINS	Tyco Electronics Corporation Shanghai, China	
DIMENSIONS: mm [INCHES]		CHK: 05DEC2005 E. HOPKINS	NAME: ATTENUATOR, FOPC BOA SC/UPC BP SM	
TOLERANCES UNLESS OTHERWISE SPECIFIED:		APVD: 05DEC2005 S. BUCHTER	SIZE: A2 CAGE CODE: 00779 DRAWING NO: 5209250 RESTRICTED TO: -	
MATERIAL: - FINISH: -		PRODUCT SPEC: - APPLICATION SPEC: - WEIGHT: -	CUSTOMER DRAWING SCALE: 4:1 SHEET 1 OF 1 REV: BI	

X-ON Electronics

Largest Supplier of Electrical and Electronic Components

Click to view similar products for [Fiber Optic Connectors](#) category:

Click to view products by [TE Connectivity](#) manufacturer:

Other Similar products are found below :

[0004700001](#) [6100-R](#) [6313](#) [F709034706](#) [F709722200](#) [F709730000](#) [F718183204](#) [F727403500](#) [F727752800](#) [FCXO-12-3BY](#) [FO-SCREW\(M2X6\)](#) [9440F20-27S-190](#) [944-120-6001](#) [944-125-6003](#) [9441F10SL-3P](#) [953-101-5310-P](#) [954-101-57202B](#) [A0270169](#) [12-9122](#) [12-5702](#) [143025NC](#) [DSAKB](#) [AX101713](#) [AX102420](#) [AX103923](#) [AX104193](#) [AX104230](#) [AX104562](#) [AX104683](#) [AX105203-B25](#) [AX105205-S1](#) [EHSC2M](#) [17-300800](#) [180-044NF06-11-2S](#) [180-044NF06-17-8P](#) [180-044NF07-11-2S](#) [181-011-126](#) [181-011-S](#) [181-057-126](#) [BT34IW](#) [HRFCP-HSCJ-1\(61\)](#) [HRFC-R2\(40\)](#) [NKSOPBUY](#) [20500002116](#) [2064996-1](#) [20800001065](#) [2170](#) [9132](#) [2612](#) [2620](#)