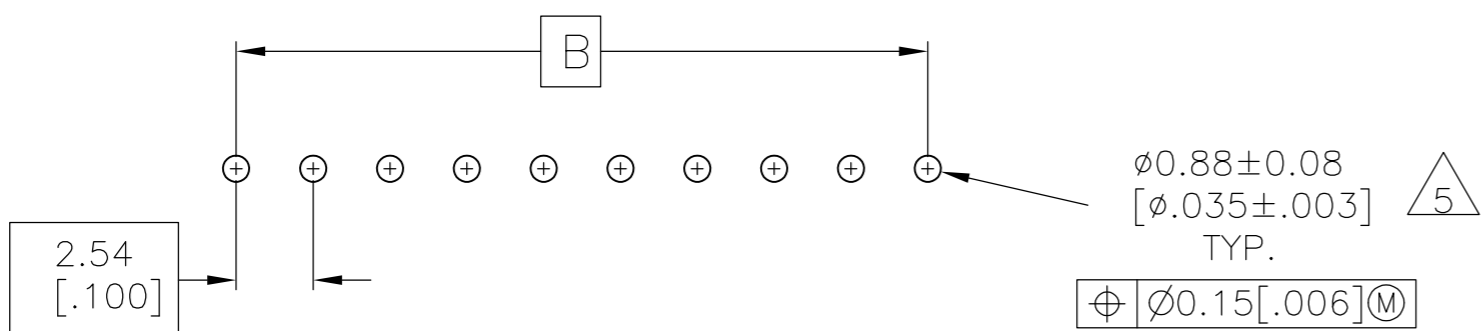
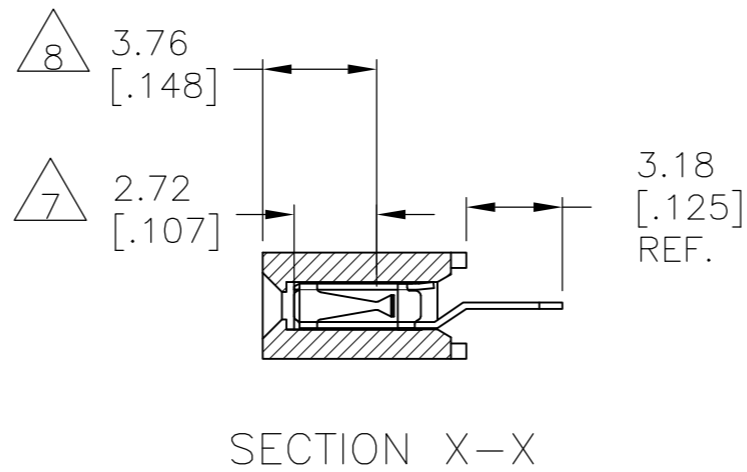
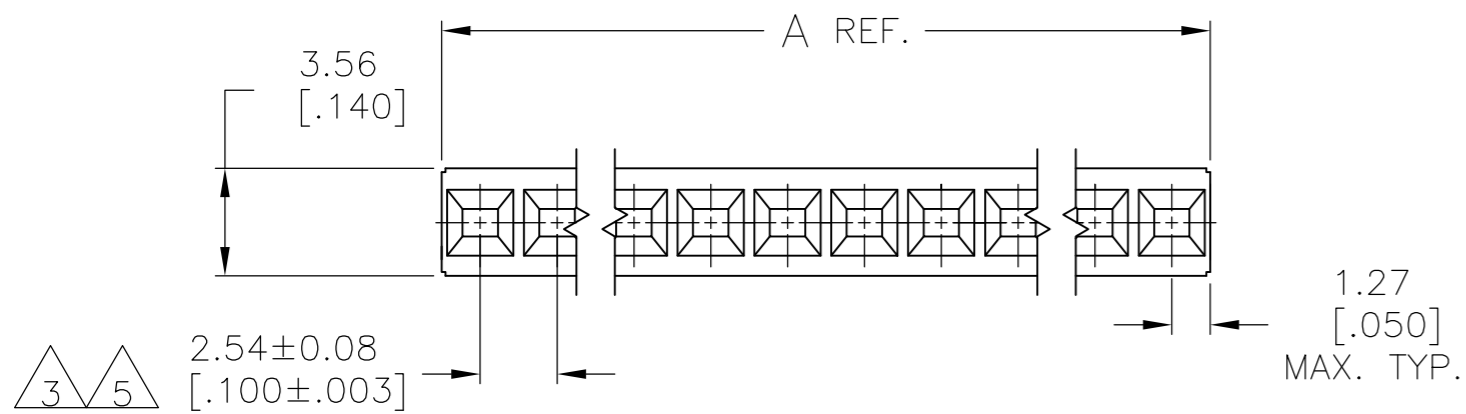
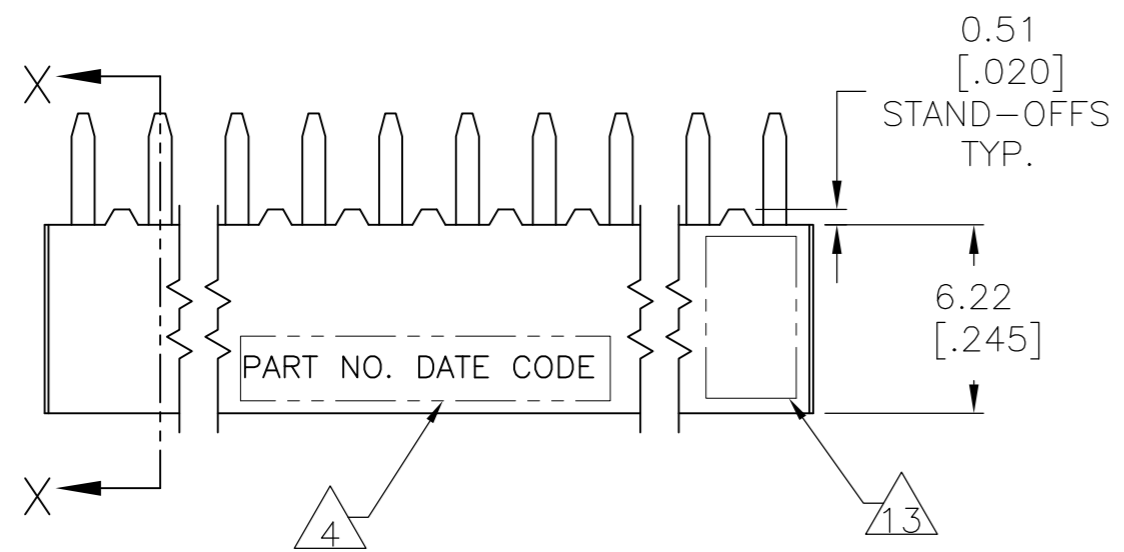


THIS DRAWING IS UNPUBLISHED. RELEASED FOR PUBLICATION
 © COPYRIGHT - By - ALL RIGHTS RESERVED.

LOC		DIST		REVISIONS			
P	LTR	DESCRIPTION		DATE	DWN	APVD	
AD	00	R5		REVISED PER ECO-13-005565	30MAR13	KH	JO



- 1 HOUSING: FLAME RETARDANT, GLASS FILLED, THERMOPLASTIC, COLOR: BLACK. CONTACT: PHOSPHOR BRONZE
- 2 CONTACT: 2.54-5.08µm[.000100-.000200] BRIGHT TIN-LEAD OVER 1.27µm[.000050] NICKEL
- 3 THESE DIMENSIONS PERTAIN TO CAVITY CENTERLINES ONLY - NOT TO CONTACT LOCATIONS
- 4 MARK PART NUMBER AND DATE CODE IN APPROXIMATE LOCATION SHOWN, EITHER SIDE.
- 5 TOLERANCE IS NON-CUMULATIVE.
- 6 2 POSITION DATE CODE IS MARKED OPPOSITE SIDE OF TE LOGO.
- 7 POINT-OF-MEASUREMENT DIMENSION FOR PLATING THICKNESS (INSIDE CONTACT BEAM).
- 8 POINT-OF-CONTACT DIMENSION.
- 9 CONTACT: 3.81-7.62µm[.000150-.000300] MATTE TIN OVER 1.27µm[.000050] MIN. NICKEL
- 11 ROHS 2002/95/EC COMPLIANT
- 12 NO PART NUMBER MARKING REQUIRED FOR THIS PART.
- 13 TE LOGO AND CSA LOGO MOLDED INTO HOUSING, THIS LOCATION.

THIS DRAWING IS A CONTROLLED DOCUMENT.		DWN M.BINNER 05NOV02		
DIMENSIONS: mm [INCHES]		CHK J.OLSON 05NOV02		
TOLERANCES UNLESS OTHERWISE SPECIFIED:		APVD J.OLSON 05NOV02	NAME RECPT. ASSY., MOD IV, SINGLE ROW, .100 CL., VERTICAL BOARD MOUNT, CLOSED, TOP ENTRY, SHORT PNT. OF CONTACT	
0 PLC ± -	1 PLC ± -	PRODUCT SPEC 108-25022	SIZE A2	CAGE CODE 00779
2 PLC ± 0.25[.010]	3 PLC ± 0.13[.005]	APPLICATION SPEC 114-25018	DRAWING NO C=535584	RESTRICTED TO -
4 PLC ± -	ANGLES ± -	WEIGHT -	SCALE 4:1	SHEET 1 OF 2
MATERIAL 1	FINISH 2	CUSTOMER DRAWING	REV R5	

THIS DRAWING IS UNPUBLISHED. RELEASED FOR PUBLICATION
 © COPYRIGHT - By - ALL RIGHTS RESERVED.


LOC		DIST		REVISIONS			
P	LTR	DESCRIPTION		DATE	DWN	APVD	
		SEE SHEET 1					

FINISH	B	A	NO OF POSN	PART NUMBER
				8-535584-9
				8-535584-8
				8-535584-7
				8-535584-6
				8-535584-5
				8-535584-4
				8-535584-3
				8-535584-2
				8-535584-1
				8-535584-0
				7-535584-9
				7-535584-8
				7-535584-7
				7-535584-6
				7-535584-5
				7-535584-4
				7-535584-3
				7-535584-2
				7-535584-1
				7-535584-0
				6-535584-9
				6-535584-8
				6-535584-7
				6-535584-6
				6-535584-5
				6-535584-4
				6-535584-3
				6-535584-2
				6-535584-1
				6-535584-0
				5-535584-9
				5-535584-8
				5-535584-7
				5-535584-6
				5-535584-5
				5-535584-4
				5-535584-3
				5-535584-2
				5-535584-1

FINISH	B	A	NO OF POSN	PART NUMBER
				4-535584-0
				3-535584-9
				3-535584-8
				3-535584-7
				3-535584-6
				3-535584-5
				3-535584-4
				3-535584-3
				3-535584-2
				3-535584-1
				3-535584-0
				2-535584-9
				2-535584-8
				2-535584-7
				2-535584-6
				2-535584-5
				2-535584-4
				2-535584-3
				2-535584-2
				2-535584-1
				2-535584-0
				1-535584-9
				1-535584-8
				1-535584-7
				1-535584-6
				1-535584-5
				1-535584-4
				1-535584-3
				1-535584-2
				1-535584-1
				1-535584-0
				535584-9
				535584-8
				535584-7
				535584-6
				535584-5
				535584-4
				535584-3
				535584-2
				535584-1

SUPERSEDED BY 5-535584-8

SUPERCEDED BY 6-535584-5

THIS DRAWING IS A CONTROLLED DOCUMENT.		DWN M.BINNER 05NOV02	 TE Connectivity	
DIMENSIONS: mm [INCHES]		CHK J.OLSON 05NOV02		
TOLERANCES UNLESS OTHERWISE SPECIFIED:		APVD J.OLSON 05NOV02	NAME RECPT. ASSY., MOD IV, SINGLE ROW, .100 CL., VERTICAL BOARD MOUNT, CLOSED, TOP ENTRY, SHORT PNT. OF CONTACT	
0 PLC ± - 1 PLC ± - 2 PLC ± 0.25[.010] 3 PLC ± 0.13[.005] 4 PLC ± - ANGLES ± -		PRODUCT SPEC 108-25022	RESTRICTED TO	
MATERIAL		APPLICATION SPEC 114-25018	SIZE A2	CAGE CODE 00779
FINISH		WEIGHT -	DRAWING NO C=535584	SCALE 4:1
		CUSTOMER DRAWING	SHEET 2 OF 2	REV R5

X-ON Electronics

Largest Supplier of Electrical and Electronic Components

Click to view similar products for [Headers & Wire Housings](#) category:

Click to view products by [TE Connectivity](#) manufacturer:

Other Similar products are found below :

[95000-104TRLF](#) [10135584-644402LF](#) [DF62W-EP2022PCA](#) [95000-106TRLF](#) [DF62W-2022SCA](#) [DF62W-EP2022PC](#) [2203348](#) [DF62W-2022SC](#) [1084018](#) [1029039](#) [1084017](#) [802-10-012-10-002000](#) [1112640](#) [1112639](#) [000-34000](#) [0009482033](#) [0009507031](#) [57102-S06-03LF](#) [57202-S52-04LF](#) [PCN6-15S-2.5E](#) [0039019024](#) [58102-G61-06LF](#) [582553-1](#) [0009485154](#) [0009508121](#) [0022285053](#) [0050291907](#) [018731A](#) [LY20-4P-DT1-P1E-BR](#) [02.125.8002.8](#) [60101931](#) [60598-1 \(Cut Strip\)](#) [M1625-3R/100](#) [61062-3](#) [61082-181009](#) [636-1427](#) [638009-1](#) [641938-9](#) [641991-4](#) [644168-1](#) [647662-1](#) [65039-019ELF](#) [65817-002LF](#) [65817-015LF](#) [65863-015LF](#) [66207-023LF](#) [67016-026LF](#) [67046-001LF](#) [67095-007LF](#) [67230-005LF](#)