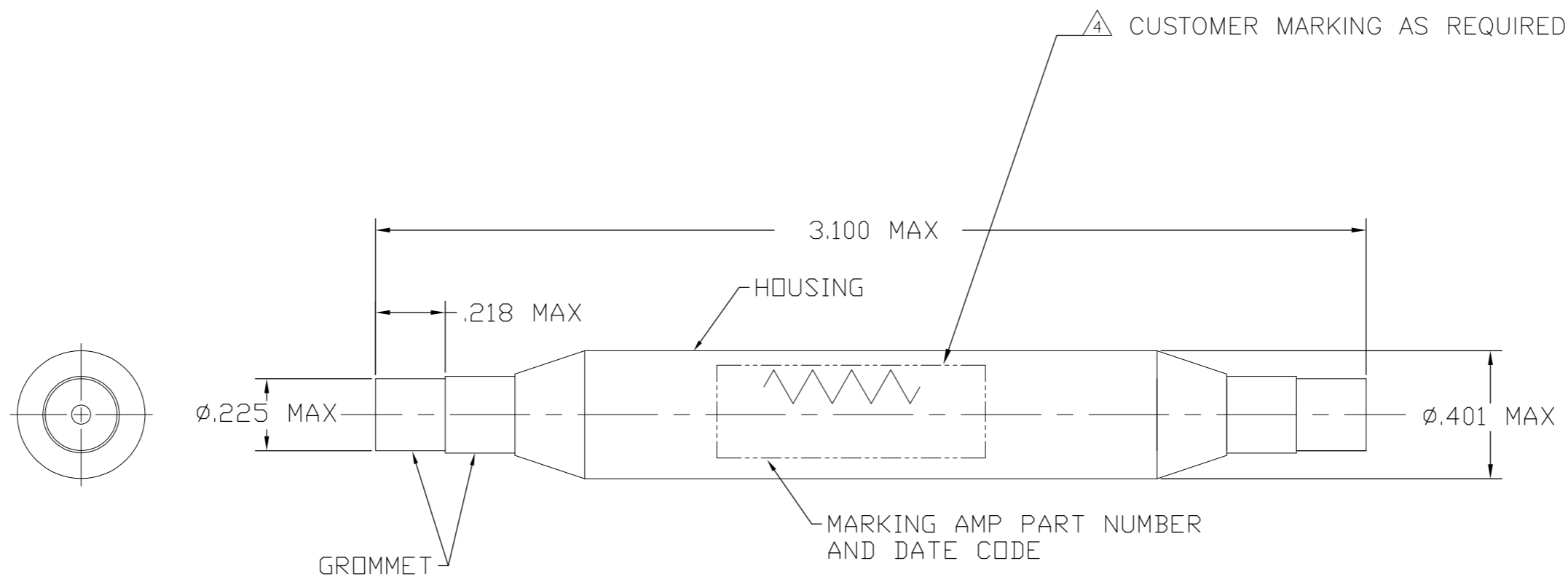


THIS DRAWING IS UNPUBLISHED. RELEASED FOR PUBLICATION
 © COPYRIGHT - By - ALL RIGHTS RESERVED.

LDC		DIST		REVISIONS			
P	LTR	DESCRIPTION	DATE	DWN	APVD		
	K	REV PER ECO-12-000064	23JAN12	PY	DE		

DESCRIPTION	MATERIAL	FINISH
SHRINK TUBING	MIL-I-23053	
RETAINING CLIP	BeCu ASTM-B-194 OR STAINLESS STEEL PER QQ-S-766	
SOCKET CONTACT	BERYLIUM COPPER PER ASTM B196	GOLD PLATE MIL-G-45204
HOUSING	GLASS REINFORCED VALOX & EPOXY	
GROMMET	FLUROROSILICONE	



ENVIRONMENTS CREATED DURING OPERATION WHICH EXCEEDS THE WIRE SPLICE RATED PERFORMANCE IS THE RESPONSIBILITY OF THE USER. THE RESISTOR SPECIFICATIONS SHOULD BE CONSULTED.

PIN CONTACT, SEALING PLUGS & INSERTION/EXTRACTION TOOL TO BE ORDERED SEPARATELY.

- A) PIN CONTACT: 2-592404-1
- B) SEALING PLUG: 592104-1
- C) TOOL: 592105-1

THIS ASSEMBLY MEETS OR EXCEEDS THE GENERAL REQUIREMENTS OF MIL-T-81714.

			RLR20C2202GR	±2°	1/2	22K	1-591917-4
			RLR32C1000GR	±2°	1	100	1-591917-3
			RLR07C1001GR	±2°	1/4	1K	1-591917-2
		OBSOLETE	-	±1°	1/2	100K	1-591917-1
		OBSOLETE	-	±1°	1/2	10K	1-591917-0
		OBSOLETE	-	±1°	1/4	2.2K	591917-9
		OBSOLETE	-	±1°	1/4	127	591917-8
		OBSOLETE	RLR32C1000GS	±2°	1	100	591917-7
		OBSOLETE	-	±1°	1/2	100	591917-6
			RLR32C1201GM	±2°	1	1.2K	591917-5
			RC20GF681J	±5°	1/2	680	591917-4
			RNC60J1002FS	±1°	1/8	10K	591917-3
		12810-1	RN65C1270F	±1°	1/2	127	591917-2
			RN65C1270F	±1°	1/2	127	591917-1

THIS DRAWING IS A CONTROLLED DOCUMENT.		DWN T. THOMPSON 08NOV2001	STE TE Connectivity	
DIMENSIONS: INCHES		CHK C. CHEHOVIN 03-10-96		
TOLERANCES UNLESS OTHERWISE SPECIFIED:		APVD C. CHEHOVIN 03-10-96	NAME WIRE SPLICE, SINGLE SIZE 20	
0 PLC ± -		PRODUCT SPEC -	SIZE A2	
1 PLC ± -		APPLICATION SPEC -	CAGE CODE 00779	DRAWING NO C-591917
2 PLC ± .01		WEIGHT -	SCALE 1:1	SHEET 1 OF 1
3 PLC ± .005		CUSTOMER DRAWING	RESTRICTED TO -	REV K
4 PLC ± -				
ANGLES ± -				
FINISH -				

X-ON Electronics

Largest Supplier of Electrical and Electronic Components

Click to view similar products for [In-Line Junction Modules](#) category:

Click to view products by [TE Connectivity](#) manufacturer:

Other Similar products are found below :

[00111975102](#) [6131-202-1358P](#) [6131-207-1158P](#) [6131-207-1558P](#) [6131-207-1758P](#) [6131-209-2558P](#) [6131-217-1758P](#) [6131-258-1958P](#)
[6131-261-2358P](#) [6131-264-1358P](#) [6134-209-19149](#) [6408-203V-09273](#) [D38999/26FJ43SB](#) [87.200.2201.3](#) [87.210.2204.3](#) [87.210.2211.3](#)
[88083-10-6PN](#) [88083-10-6PN-L/C](#) [88083-10-6SN](#) [88083-10-6SN-LC](#) [88083-12-10PN-L/C](#) [88083-14-15SN-LC](#) [88083-14-15SW-L/C](#)
[88083-14-19SN](#) [88083-14-19SN-LC](#) [88083-14-4PN-LC](#) [88083-14-5SN-LC](#) [88083-16-26SN-LC](#) [88083-16-8PN-LC](#) [88083-18-8SN-LC](#)
[88083-20-41PN-LC](#) [1210230271](#) [1210640168](#) [1210641064](#) [S53209NR051](#) [M81714/12-22D-2-LC](#) [TJSE20535](#) [TJSE20551](#) [TJSE20706](#)
[YCTJ920E12NC098000](#) [6131-202-2358P](#) [6131-205-2558P](#) [6131-208-2558P](#) [6131-258-2158P](#) [E162N2N0506R](#) [M817142DA1](#) [C81311N21](#)
[CA3108E16S-1PA206](#) [87.200.2205.3](#) [1210401236](#)