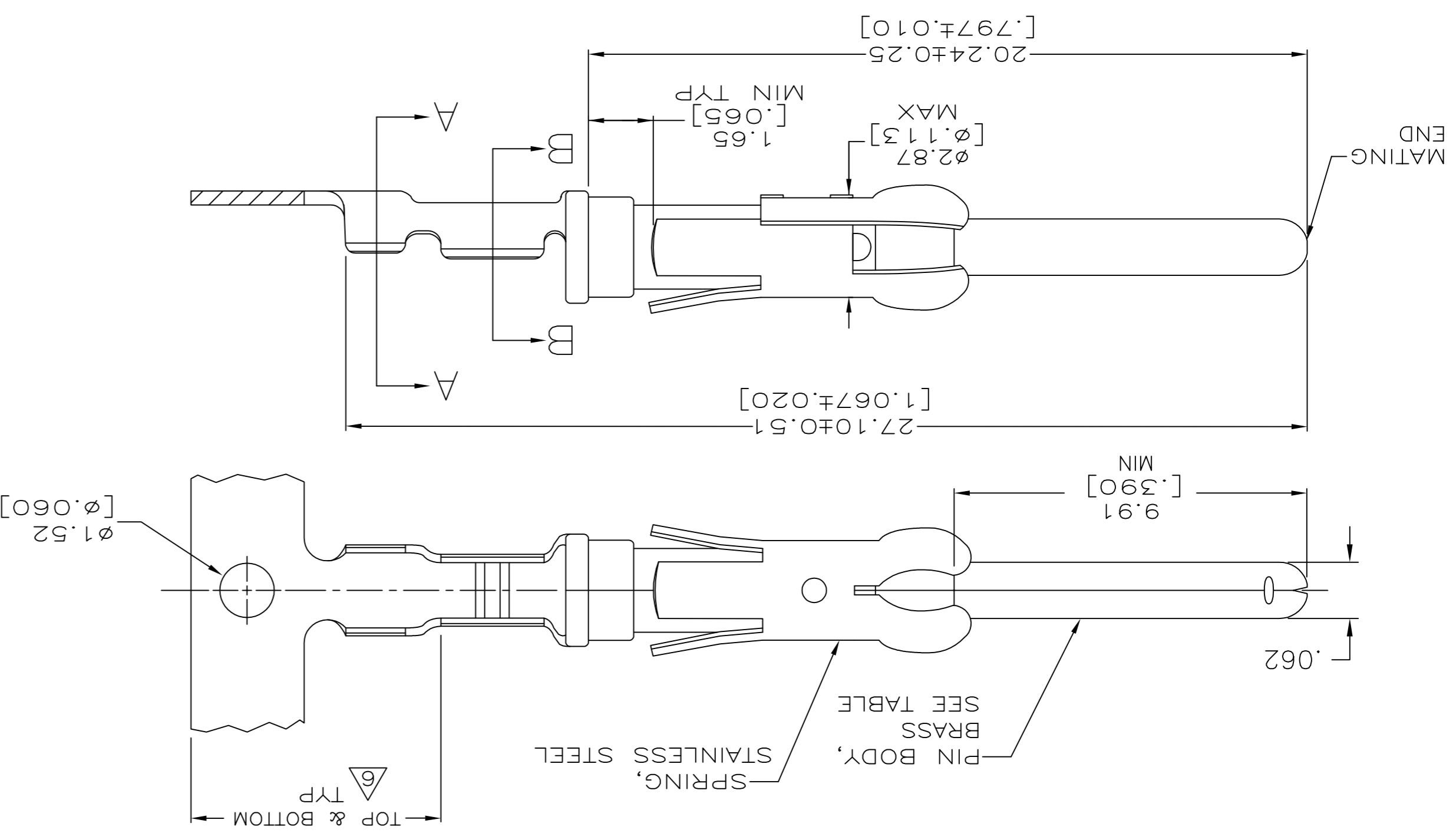
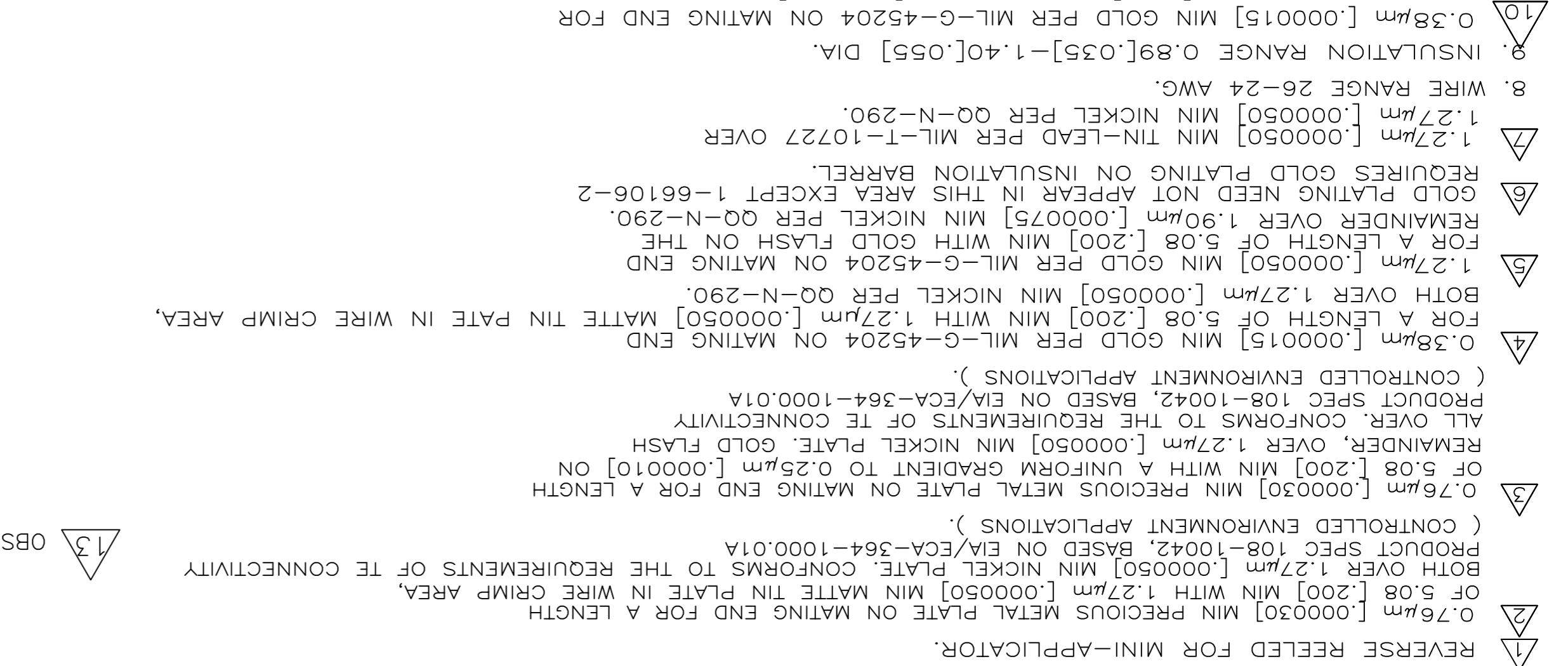


12 0.38µm [.000015] MIN GOLD PER MIL-G-45204 ON MATING END FOR A LENGTH OF 5.08 [.200] MIN
 1.27µm [.000050] MIN TIN PER MIL-T-10727 OVER BOTH OVER 1.27µm [.000050] MIN NICKEL PER QQ-N-290.
 11 1.27µm [.000050] MIN TIN PER MIL-T-10727 OVER OVER 1.27µm [.000050] MIN NICKEL PER QQ-N-290 ON ENTIRE CONTACT.
 10 0.38µm [.000015] MIN GOLD PER MIL-G-45204 ON MATING END FOR A LENGTH OF 5.08 [.200] MIN, 1.27µm [.000050] MIN TIN-LEAD PER MIL-T-10727 FOR A LENGTH OF 5.69 [.224] MIN ON OPPOSITE END, BOTH OVER 1.27µm [.000050] MIN NICKEL PER QQ-N-290 ON ENTIRE CONTACT.
 9. INSULATION RANGE 0.89[.035]-1.40[.055] DIA. WIRE RANGE 26-24 AWG.
 8. 1.27µm [.000050] MIN TIN-LEAD PER MIL-T-10727 OVER 1.27µm [.000050] MIN NICKEL PER QQ-N-290.
 7. 1.27µm [.000050] MIN TIN-LEAD PER MIL-T-10727 OVER REQUIRES GOLD PLATING ON INSULATION BARREL.
 6. GOLD PLATING NEED NOT APPEAR IN THIS AREA EXCEPT 1-66106-2 REMAINDER OVER 1.90µm [.000075] MIN NICKEL PER QQ-N-290.
 5. 1.27µm [.000050] MIN GOLD PER MIL-G-45204 ON MATING END FOR A LENGTH OF 5.08 [.200] MIN WITH GOLD FLASH ON THE REMAINDER OVER 1.27µm [.000050] MIN NICKEL PER QQ-N-290.
 4. 0.38µm [.000015] MIN GOLD PER MIL-G-45204 ON MATING END FOR A LENGTH OF 5.08 [.200] MIN WITH 1.27µm [.000050] MATTE TIN PATE IN WIRE CRIMP AREA, BOTH OVER 1.27µm [.000050] MIN NICKEL PER QQ-N-290.
 3. 0.76µm [.000030] MIN PRECIOUS METAL PLATE ON MATING END FOR A LENGTH OF 5.08 [.200] MIN WITH A UNIFORM GRADIENT TO 0.25µm [.000010] ON REMAINDER, OVER 1.27µm [.000050] MIN NICKEL PLATE. GOLD FLASH ALL OVER, CONFORMS TO THE REQUIREMENTS OF TE CONNECTIVITY PRODUCT SPEC 108-10042, BASED ON EIA/ECA-364-1000.01A (CONTROLLED ENVIRONMENT APPLICATIONS).
 2. 0.76µm [.000030] MIN PRECIOUS METAL PLATE ON MATING END FOR A LENGTH OF 5.08 [.200] MIN WITH 1.27µm [.000050] MIN NICKEL PLATE. GOLD FLASH BOTH OVER 1.27µm [.000050] MIN NICKEL PER QQ-N-290. CONFORMS TO THE REQUIREMENTS OF TE CONNECTIVITY (CONTROLLED ENVIRONMENT APPLICATIONS).
 1. REVERSE REELED FOR MINI-APPLICATOR.



THIS DRAWING IS UNPUBLISHED. RELEASED FOR PUBLICATION ALL RIGHTS RESERVED. - - - - -

THIS DRAWING IS A CONTROLLED DOCUMENT.

DWN R. SHIREY 7-17-91		R. STONE 8-15-91		J. WESTMAN 8-19-91	
CHK		APVD		NAME	
R. SHIREY		R. STONE		J. WESTMAN	
7-17-91		8-15-91		8-19-91	
PIN ASSEMBLY, .062, TYPE III+		PRODUCT SPEC		APPLICATION SPEC	
DRAWING NO		CASE CODE		SIZE	
66106		00779		A2	
RESTRICTED TO		DRAWING NO		WEIGHT	
-		66106		-	

SEE CALLOUTS MATERIAL FINISH ANGLES 0 PLS ± 1 PLS ± 2 PLS ± 3 PLS ± 4 PLS ±

OTHERWISE SPECIFIED: DIMENSIONS: mm [INCHES]

SEE TABLE TOLERANCES UNLESS OTHERWISE SPECIFIED: ± 0.13 [.005]

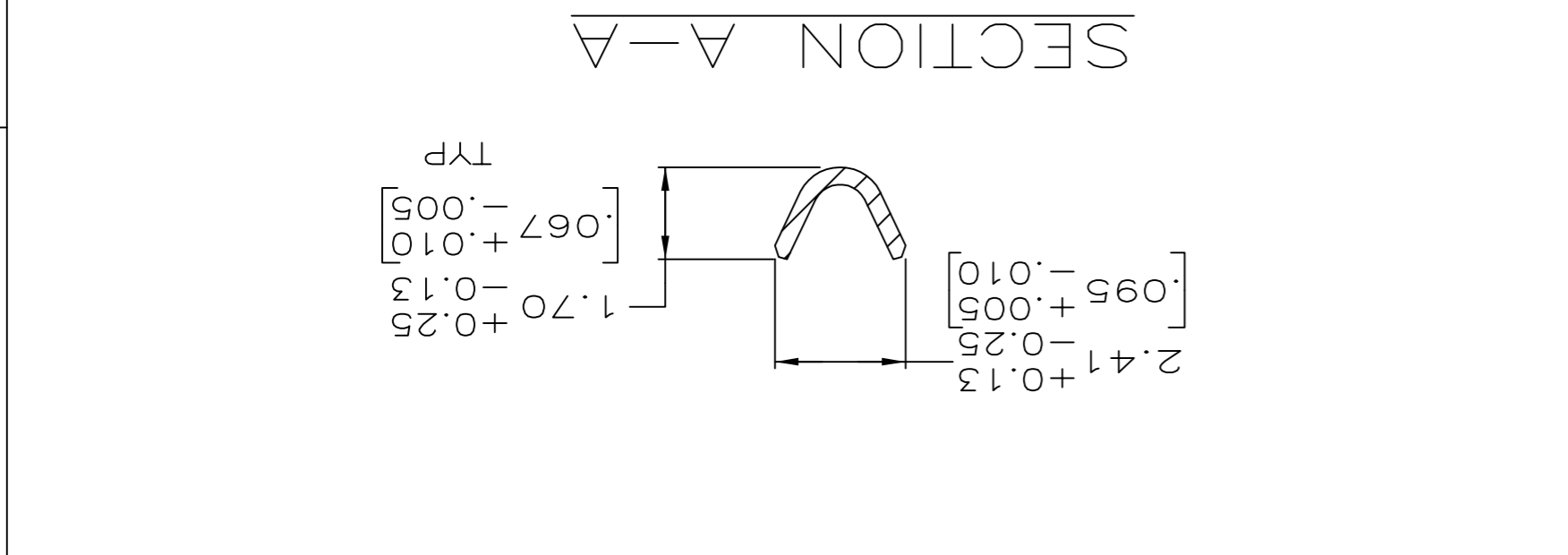
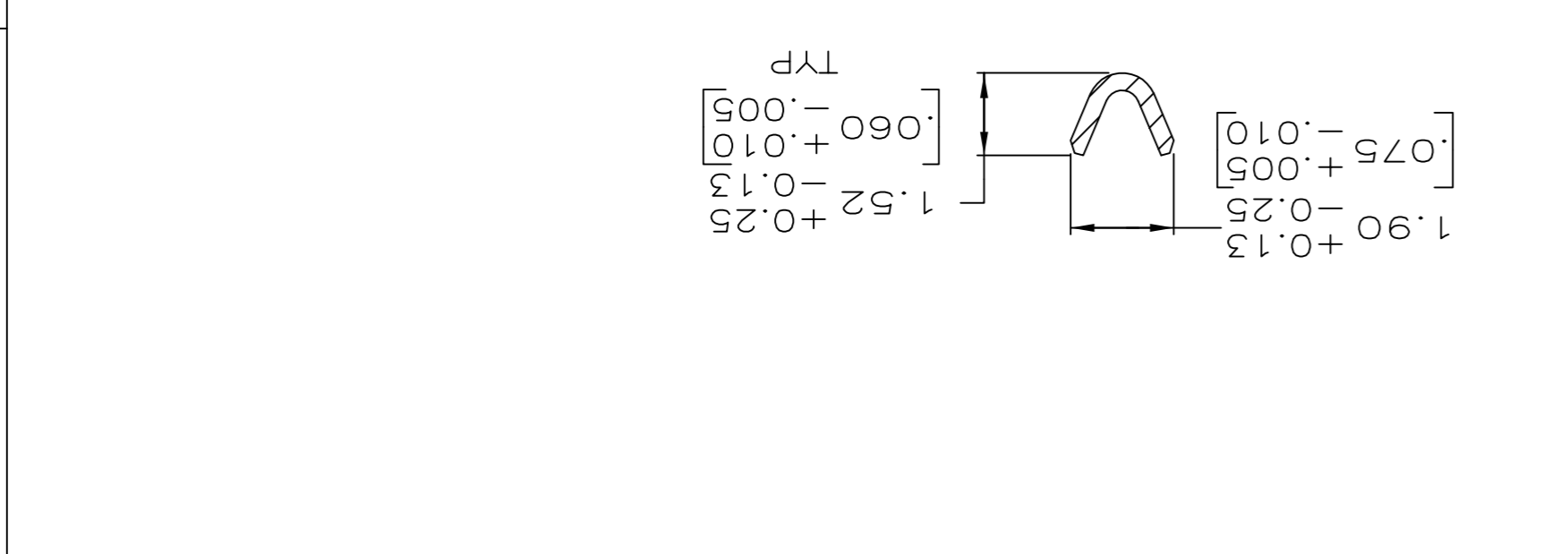
SEE CALLOUTS MATERIAL FINISH ANGLES 0 PLS ± 1 PLS ± 2 PLS ± 3 PLS ± 4 PLS ±

OTHERWISE SPECIFIED: DIMENSIONS: mm [INCHES]

SEE TABLE TOLERANCES UNLESS OTHERWISE SPECIFIED: ± 0.13 [.005]

REELING	P/N BODY FINISH	LOOSE PIECE REF	PART NO
OBsolete	3	66107-1	66106-1
STANDARD	7	66107-2	66106-2
STANDARD	4	66107-3	66106-3
STANDARD	2	66107-4	66106-4
OBsolete	3	66107-1	66106-5
OBsolete	7	66107-2	66106-6
OBsolete	4	66107-3	66106-7
OBsolete	2	66107-4	66106-8
OBsolete	5	66107-7	1-66106-2
OBsolete	1	66107-8	1-66106-4
OBsolete	11	1-66107-1	1-66106-5
OBsolete	11	1-66107-1	1-66106-6
OBsolete	12	-	1-66106-7

13 OBsolete PARTS: OBsolete CIS STREAMLINING PER D.RENAUD/D.SINISI



REVISIONS	DATE	DESCRIPTION	APVD
1	06OCT2017	REVISED PER ECO-16-017885	AJ
2	05JUL12	REVISED PER ECO-12-012316	AH
3			RS
4			MZ

A

B

C

D

1

2

3

4

X-ON Electronics

Largest Supplier of Electrical and Electronic Components

Click to view similar products for [Standard Circular Contacts](#) category:

Click to view products by [TE Connectivity](#) manufacturer:

Other Similar products are found below :

[M24308/4-14F](#) [12110600010](#) [129591AU](#) [1000B BULK](#) [RFM26W-1D28](#) [RM20M13D28](#) [RM24M9D28](#) [MS3474W10-6P L/C](#) [164-901-CD](#)
[1900ND02P2B00A](#) [192900-0082](#) [192900-0356](#) [ST-JL05-16S-C3-100](#) [T01-CRIMP-S03](#) [APK-SA16A07-002](#) [CONT-JL05-08S-C2-10](#)
[RC16M-23T](#) [RFD26L-1D28](#) [M85049/124S13W](#) [JN1-22-20S-R-PKG100](#) [031-50565](#) [031-50794](#) [SJS861301M](#) [CF16SC18RF](#) [CONT-JL05-](#)
[08P-C1-10](#) [ST-JL05-16P-C1-100](#) [ST-JL05-16S-C1-100](#) [ST-JL05-20P-C1-100](#) [ST-JN5-S-C1B-2500-\(A534G\)](#) [82911466K](#) [82911467NK](#)
[84690-0106](#) [M81714/67-21](#) [M24308/2-11F](#) [HN0201600031](#) [M85049/118S20W](#) [031-50969-010](#) [T3P16FC3LZ](#) [ST-JL05-16S-C2-3500](#) [ZP-](#)
[4016-10NF](#) [HN0201600022](#) [M24308/2-290F](#) [T3P22MC1LY](#) [CONT-JL05-08P-C2-10](#) [M24308/2-283Z](#) [CONT-JL05-12P-C1-10](#)
[RM20M12G8D28](#) [031-50676](#) [12115010110](#) [SAM12C-03G03](#) [CAP-DACMDPC2](#)