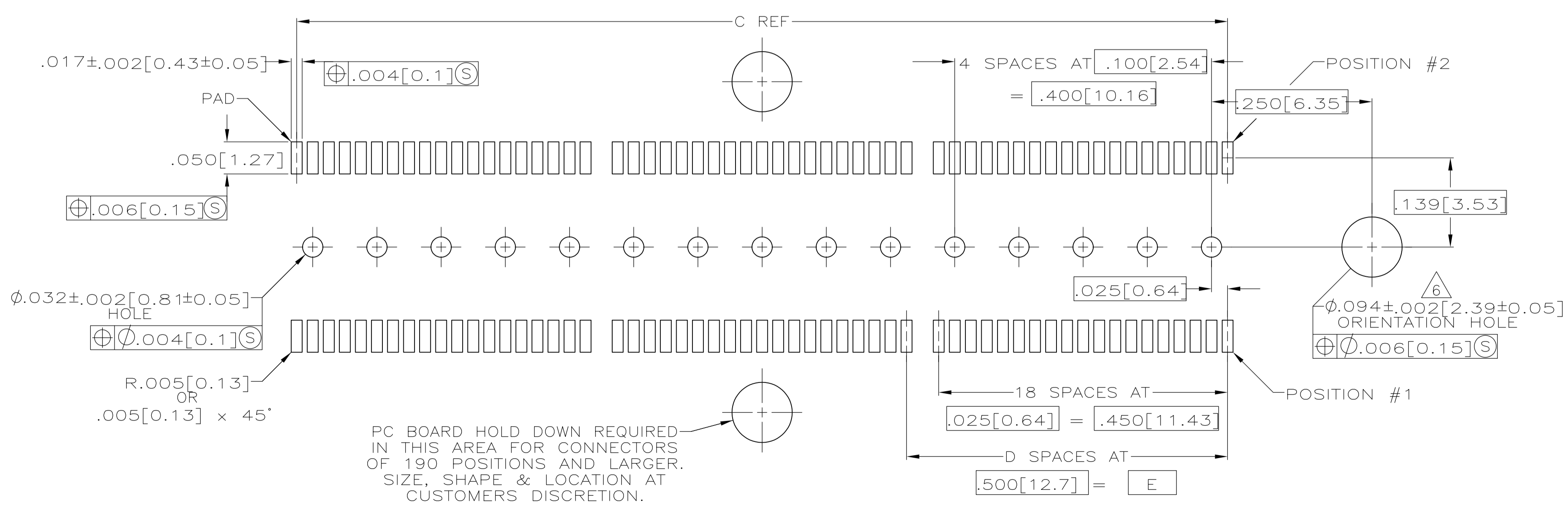
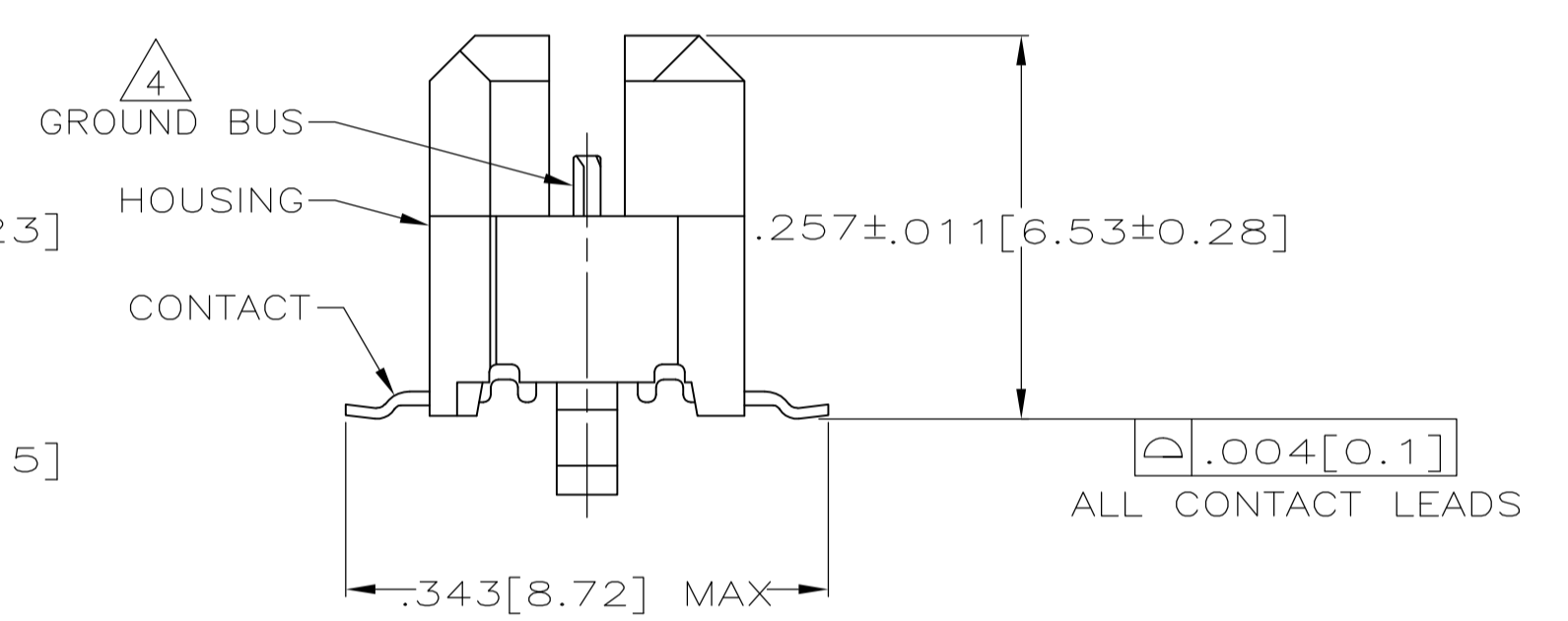
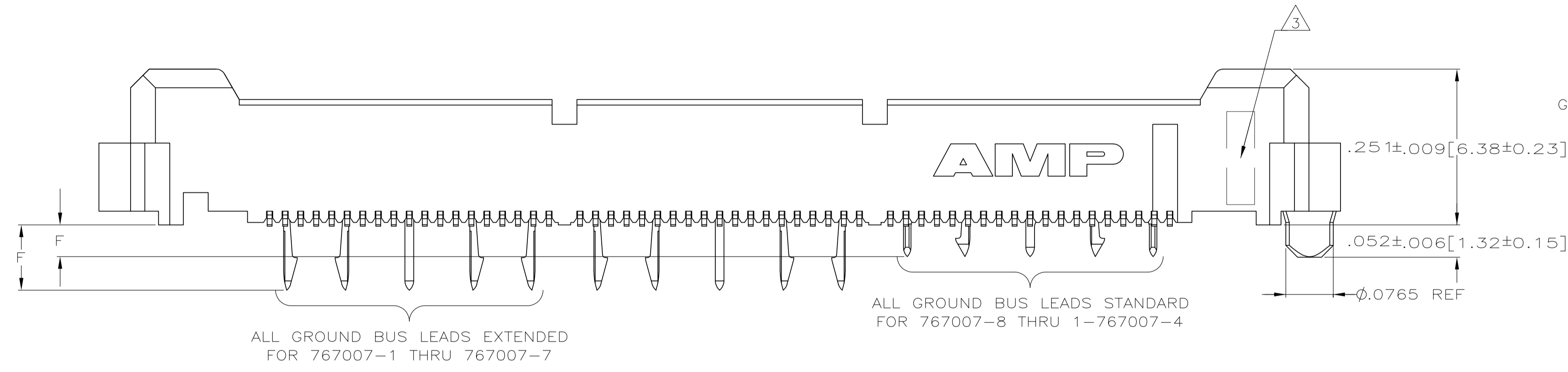


- $\triangle 1$  HOUSING: LIQUID CRYSTAL POLYMER, COLOR BLACK.  
CONTACTS: HIGH RELIABILITY COPPER ALLOY.  
GROUND BUSES: BRASS, UNS C26000
- $\triangle 2$  CONTACTS & GROUND BUSES: NICKEL UNDERPLATE ALL OVER,  
MATING SURFACE PLATED TO MEET LEVEL 1 PERFORMANCE  
REQUIREMENTS OF TE CONNECTIVITY PRODUCT SPECIFICATION  
108-1422, SOLDER TAILS PLATED TIN-LEAD.
- $\triangle 3$  DATE CODE MARKED IN AREA INDICATED ON SAME SIDE AS POSTION #1.
- $\triangle 4$  ON GROUND BUS WITH 5 TAILS PER EACH MODULE.
- $\triangle 5$  TOLERANCE NON-ACCUMULATIVE.
- $\triangle 6$  FOR SLIP-FIR APPLICATIONS, ORIENTATION HOLE TO BE  $\phi .079 \pm .001 [2.00 \pm 0.03]$ .



| BUS LEADS TYPE    | F           | E            | D | C             | B             | A             | NO OF POS | PART NUMBER |
|-------------------|-------------|--------------|---|---------------|---------------|---------------|-----------|-------------|
| STANDARD          | .053 [1.35] | 3.000 [76.2] | 6 | 3.450 [87.63] | 3.898 [99]    | 4.000 [101.6] | 266       | 1-767007-4  |
| STANDARD          | .053 [1.35] | 2.500 [63.5] | 5 | 2.950 [74.93] | 3.398 [86.31] | 3.500 [88.9]  | 228       | 1-767007-3  |
| STANDARD          | .053 [1.35] | 2.000 [50.8] | 4 | 2.450 [62.23] | 2.898 [73.61] | 3.000 [76.2]  | 190       | 1-767007-2  |
| STANDARD          | .053 [1.35] | 1.500 [38.1] | 3 | 1.950 [49.53] | 2.398 [60.91] | 2.500 [63.5]  | 152       | 1-767007-1  |
| STANDARD          | .053 [1.35] | 1.000 [25.4] | 2 | 1.450 [36.83] | 1.898 [48.21] | 2.000 [50.8]  | 114       | 1-767007-0  |
| STANDARD          | .053 [1.35] | .500 [12.7]  | 1 | .950 [24.13]  | 1.398 [35.51] | 1.500 [38.1]  | 76        | 767007-9    |
| STANDARD          | .053 [1.35] | .000 [0]     | 0 | .450 [11.43]  | .898 [22.81]  | 1.000 [25.4]  | 38        | 767007-8    |
| OBSOLETE EXTENDED | .107 [2.72] | 3.000 [76.2] | 6 | 3.450 [87.63] | 3.898 [99]    | 4.000 [101.6] | 266       | 767007-7    |
| OBSOLETE EXTENDED | .107 [2.72] | 2.500 [63.5] | 5 | 2.950 [74.93] | 3.398 [86.31] | 3.500 [88.9]  | 228       | 767007-6    |
| OBSOLETE EXTENDED | .107 [2.72] | 2.000 [50.8] | 4 | 2.450 [62.23] | 2.898 [73.61] | 3.000 [76.2]  | 190       | 767007-5    |
| OBSOLETE EXTENDED | .107 [2.72] | 1.500 [38.1] | 3 | 1.950 [49.53] | 2.398 [60.91] | 2.500 [63.5]  | 152       | 767007-4    |
| OBSOLETE EXTENDED | .107 [2.72] | 1.000 [25.4] | 2 | 1.450 [36.83] | 1.898 [48.21] | 2.000 [50.8]  | 114       | 767007-3    |
| OBSOLETE EXTENDED | .107 [2.72] | .500 [12.7]  | 1 | .950 [24.13]  | 1.398 [35.51] | 1.500 [38.1]  | 76        | 767007-2    |
| OBSOLETE EXTENDED | .107 [2.72] | .000 [0]     | 0 | .450 [11.43]  | .898 [22.81]  | 1.000 [25.4]  | 38        | 767007-1    |

RECOMMENDED PC BOARD LAYOUT (VIEWED FROM CONNECTOR SIDE)

THIS DRAWING IS A CONTROLLED DOCUMENT.

DIMENSIONS: mm [INCHES]

TOLERANCES UNLESS OTHERWISE SPECIFIED:

|        |   |            |
|--------|---|------------|
| 0 PLC  | ± | -          |
| 1 PLC  | ± | -          |
| 2 PLC  | ± | -          |
| 3 PLC  | ± | 0.05(0.13) |
| 4 PLC  | ± | -          |
| ANGLES | ± | -          |

MATERIAL  $\triangle 1$  FINISH  $\triangle 2$

APPROVED: J. GERACE 8-30-96  
CHK: P. MATAR 8-30-96  
APVD: A. MONK 8-30-96

NAME: PLUG ASSEMBLY, .260[6.6] VERTICAL, .025[0.64]CL, GULL WING LEADS, MICTOR

PRODUCT SPEC: 108-1422

APPLICATION SPEC: 114-11004

SIZE: A1 CAGE CODE: 00779 DRAWING NO: 767007

WEIGHT: -

CUSTOMER DRAWING SCALE: 8:1 SHEET: 1 OF 1 REV: AB2

## X-ON Electronics

Largest Supplier of Electrical and Electronic Components

*Click to view similar products for [Board to Board & Mezzanine Connectors](#) category:*

*Click to view products by [TE Connectivity](#) manufacturer:*

Other Similar products are found below :

[10135583-642402LF](#) [89885-310LF](#) [589158040000018](#) [6-1393048-0](#) [68683-613](#) [MDF7-12DP-2.54DSA](#) [MDF7-18P-2.54DSA\(01\)](#) [MDF7-20DP-2.54DSA](#) [MDF7-26D-2.54DSA\(55\)](#) [MDF7-3P-2.54DSA\(01\)](#) [MDF7B-3P-2.54DSA\(55\)](#) [MDF7C-11P-2.54DSA\(55\)](#) [MDF7C-18P-2.54DSA\(55\)](#) [MDF7C-5P-2.54DSA\(01\)](#) [MDF7P-5P-2.54DSA\(55\)](#) [75234-0516](#) [FCN-230C068-11](#) [FCN-268F012-G/BD](#) [FCN-268F036-G/BD](#) [FCN-268M012-G/0D](#) [FCN-268M024-G/1D](#) [FCN-360C008-C](#) [FCN-360C040-C](#) [FCN-723J004/1](#) [MIS-048-01-F-D-DP-K](#) [832-10-034-10-001000](#) [93696-325LF](#) [11828-1FA](#) [AXK630345P](#) [18097-0013](#) [ICA-328STT](#) [2007042-2](#) [304400-2](#) [FCN-214Q030-G/0](#) [FCN-215Q040-G/0](#) [FCN-230C068-ESA](#) [FCN-234P048-G/0](#) [FCN-235D050-G/C](#) [FCN-360A3](#) [FCN-360C040-B](#) [210-93-314-41-105000](#) [2-22603-0](#) [379-064-521-202](#) [MDF7-12P-2.54DSA\(01\)](#) [MDF7-16P-2.54DS\(56\)](#) [MDF7-40DP-2.54DSA\(55\)](#) [MDF7-8P-2.54DSA\(55\)](#) [MDF7B-16P-2.54DSA\(55\)](#) [AXG720047](#) [5031084030](#)