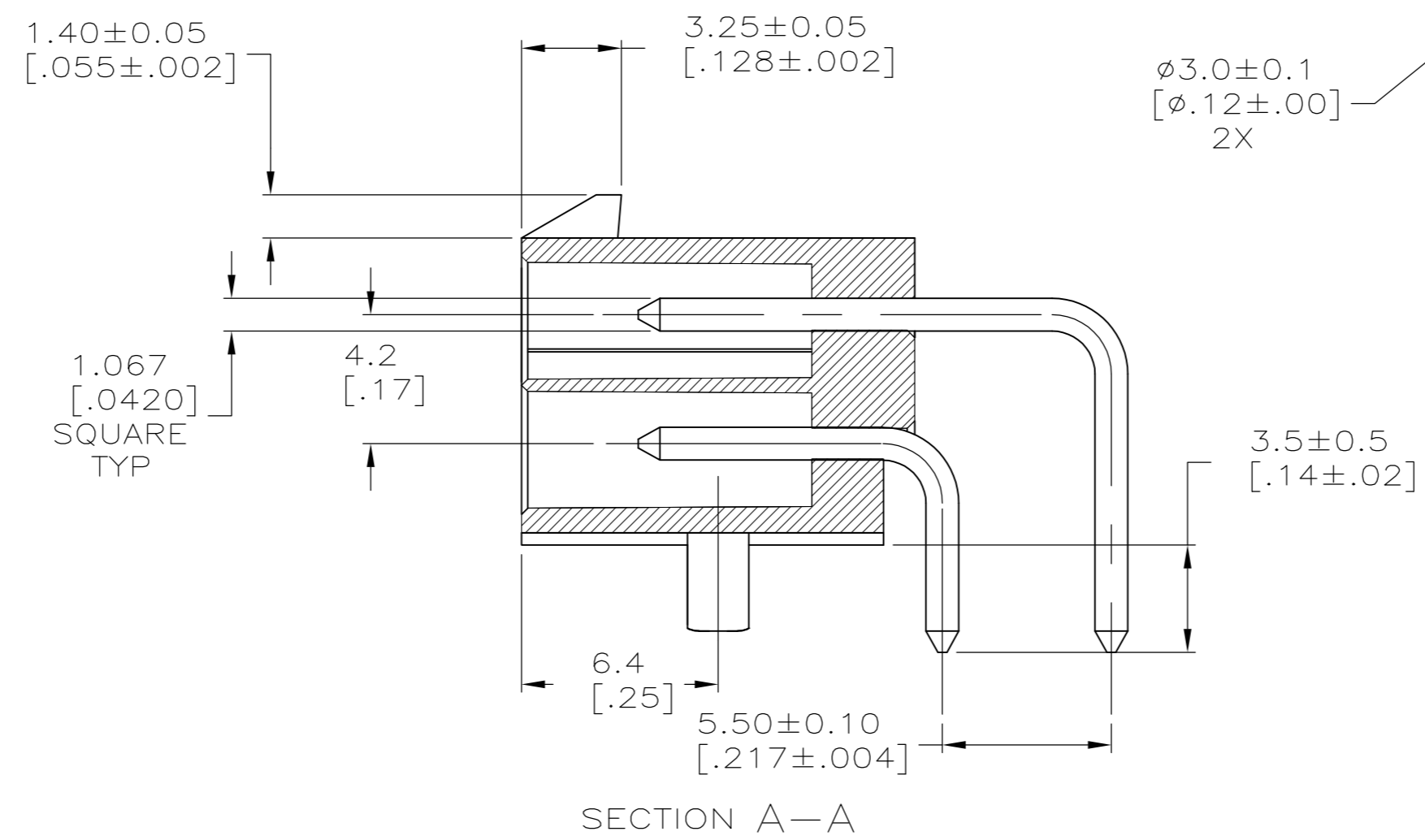
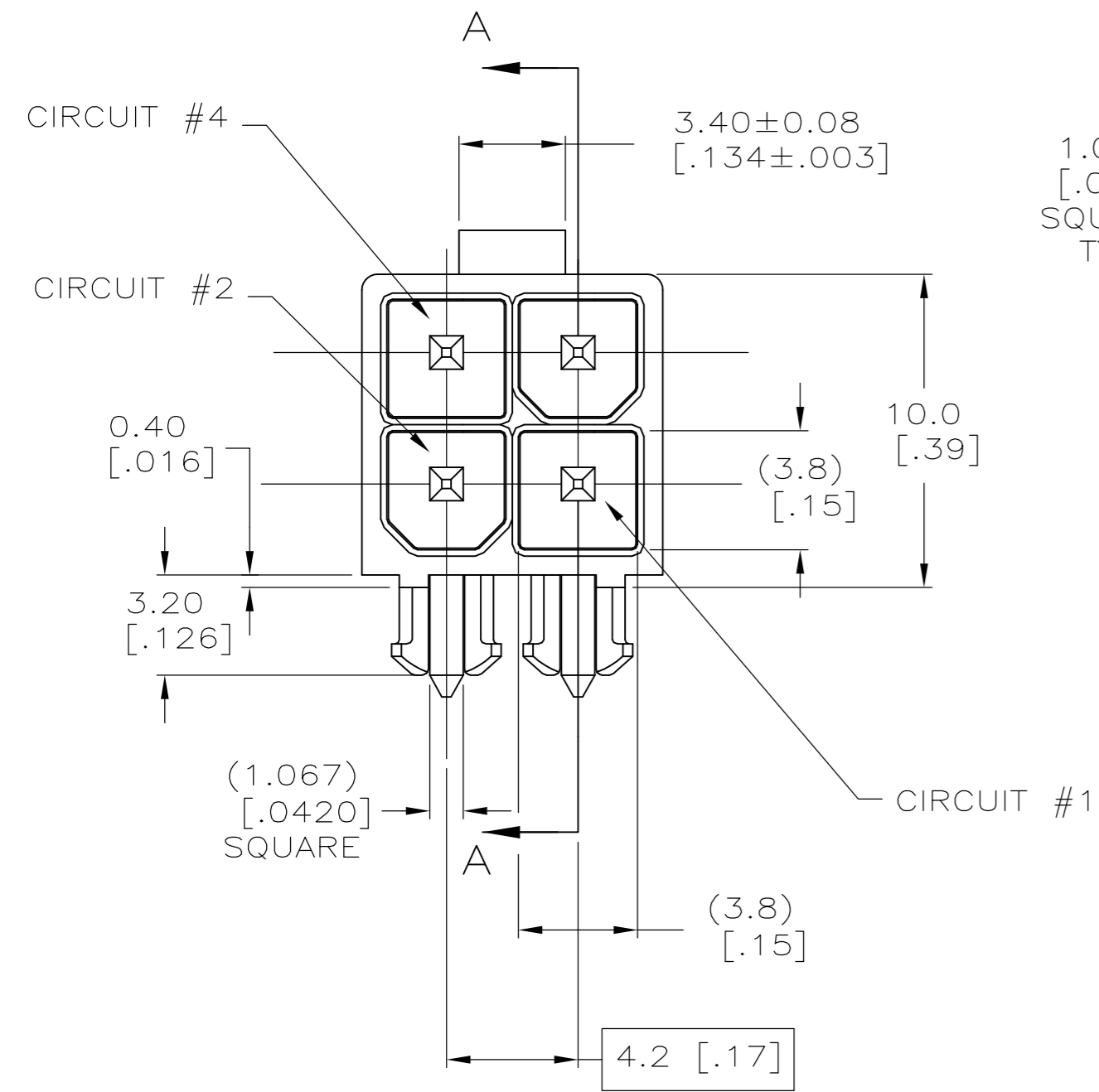
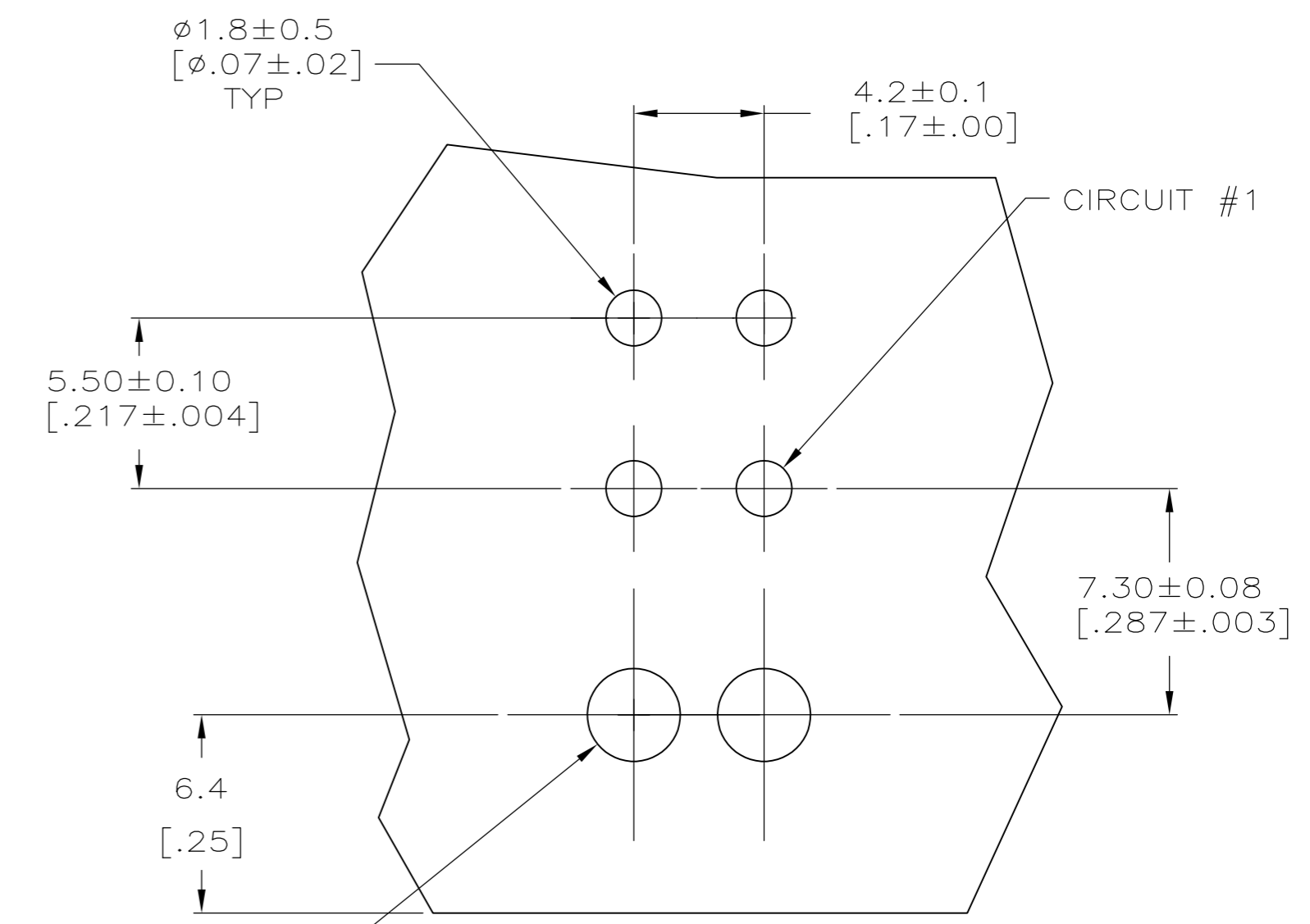
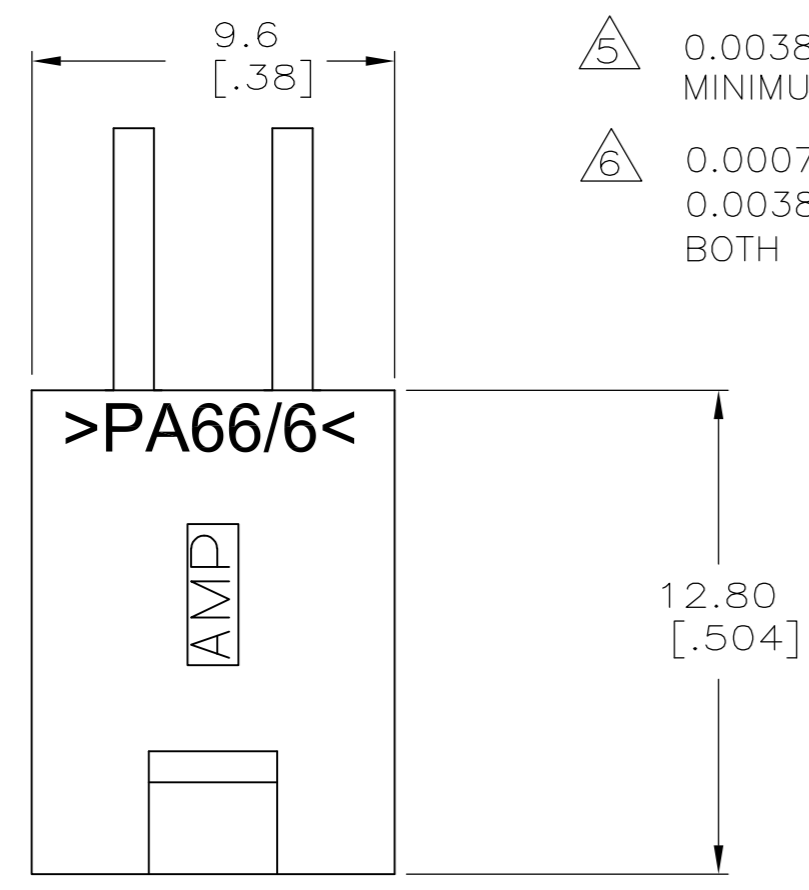


THIS DRAWING IS UNPUBLISHED. RELEASED FOR PUBLICATION  
 © COPYRIGHT By - ALL RIGHTS RESERVED.

LOC		DIST		REVISIONS			
P	LTR	DESCRIPTION		DATE	DWN	APVD	
CM	00	E1	REVISED PER ECO-11-019177		21SEP11	KH	SM

- 1 MATERIAL: HOUSING - NYLON, UL94V-0 (COLOR - WHITE).  
PIN - 1.067mm<sup>2</sup> [.0017in<sup>2</sup>] COPPER ALLOY.
- 2. PINS TO COMPLY WITH SOLDERABILITY SPEC 109-11-3.
- 3 0.00381 [.000150] MINIMUM TIN LEAD OVER 0.00127 [.000050] MINIMUM NICKEL, ENTIRE LENGTH OF PIN.
- 4 NOTE DELETED.
- 5 0.00381 [.000150] MINIMUM TIN OVER 0.00127 [.000050] MINIMUM NICKEL, ENTIRE LENGTH OF PIN.
- 6 0.00076 [.000030] MIN GOLD IN THE LOCALIZED PLATE AREA  
0.00381 [.000150] MIN TIN IN THE LOCALIZED PLATE AREA  
BOTH OVER 0.00127 [.000050] MIN NICKEL.



SUPERSEDED BY 1-794448-1

1	6	1	1	1-794527-2	
1	5	1	1	1-794527-1	
1	3	1	1	794527-1	
MATERIAL		FINISH		MATERIAL	COLOR
PIN		HOUSING		ASSEMBLY	



THIS DRAWING IS A CONTROLLED DOCUMENT.

DWN	S. HOOVER	02-MAR-2005		TE Connectivity		
CHK	D. COLEY	02-MAR-2005		ASSEMBLY, HEADER, RIGHT ANGLE, 4 POSITION, W/PEGS, 94V-0 AMP-DUAC(TM) POWER CONNECTOR		
APVD	D. COLEY	02-MAR-2005		SIZE	CAGE CODE	DRAWING NO
PRODUCT SPEC				A2	00779	C=794527
APPLICATION SPEC			WEIGHT	RESTRICTED TO		
MATERIAL	SEE CHART		CUSTOMER DRAWING	SCALE	SHEET	
			5:1	1 OF 1	REV E1	

## X-ON Electronics

Largest Supplier of Electrical and Electronic Components

*Click to view similar products for [Headers & Wire Housings](#) category:*

*Click to view products by [TE Connectivity](#) manufacturer:*

Other Similar products are found below :

[95000-104TRLF](#) [10135584-644402LF](#) [DF62W-EP2022PCA](#) [95000-106TRLF](#) [DF62W-2022SCA](#) [DF62W-EP2022PC](#) [2203348](#) [DF62W-2022SC](#) [1084018](#) [1029039](#) [1084017](#) [802-10-012-10-002000](#) [1112640](#) [1112639](#) [000-34000](#) [0009482033](#) [0009507031](#) [57102-S06-03LF](#) [57202-S52-04LF](#) [PCN6-15S-2.5E](#) [0039019024](#) [58102-G61-06LF](#) [582553-1](#) [0009485154](#) [0009508121](#) [0022285053](#) [0050291907](#) [018731A](#) [LY20-4P-DT1-P1E-BR](#) [02.125.8002.8](#) [60101931](#) [60598-1 \(Cut Strip\)](#) [M1625-3R/100](#) [61062-3](#) [61082-181009](#) [636-1427](#) [638009-1](#) [641938-9](#) [641991-4](#) [644168-1](#) [647662-1](#) [65039-019ELF](#) [65817-002LF](#) [65817-015LF](#) [65863-015LF](#) [66207-023LF](#) [67016-026LF](#) [67046-001LF](#) [67095-007LF](#) [67230-005LF](#)