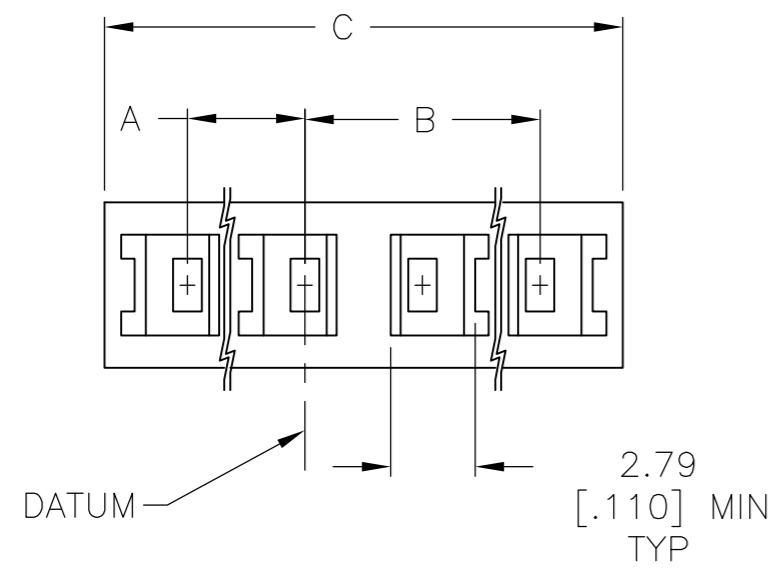
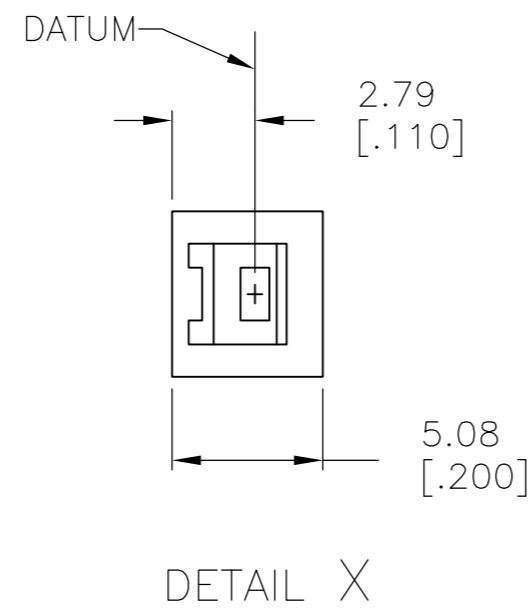


THIS DRAWING IS UNPUBLISHED. RELEASED FOR PUBLICATION
 © COPYRIGHT - By - ALL RIGHTS RESERVED.

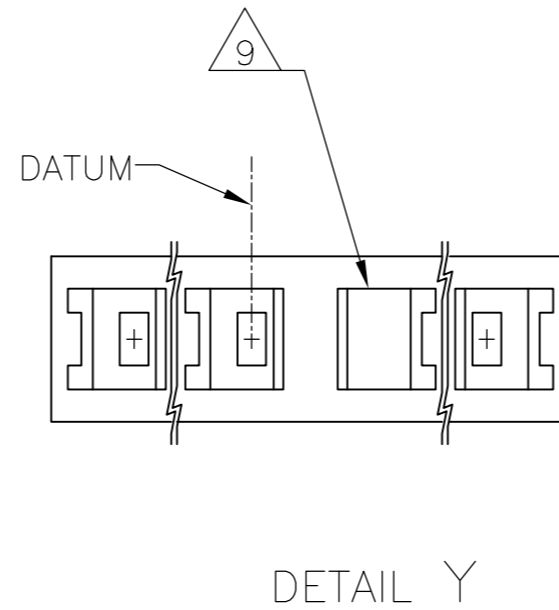
REVISIONS					
P	LTR	DESCRIPTION	DATE	DWN	APVD
J4		REVISED PER ECO-16-009321	23JUN2016	NK	JO



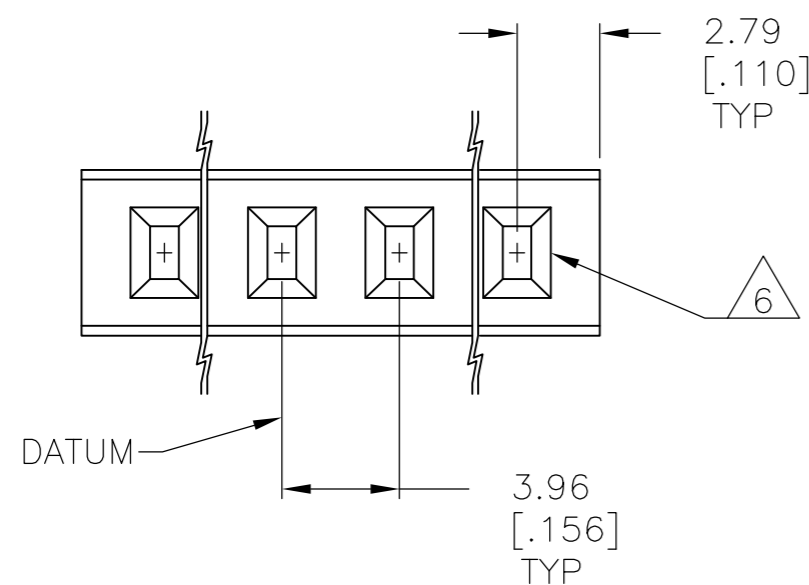
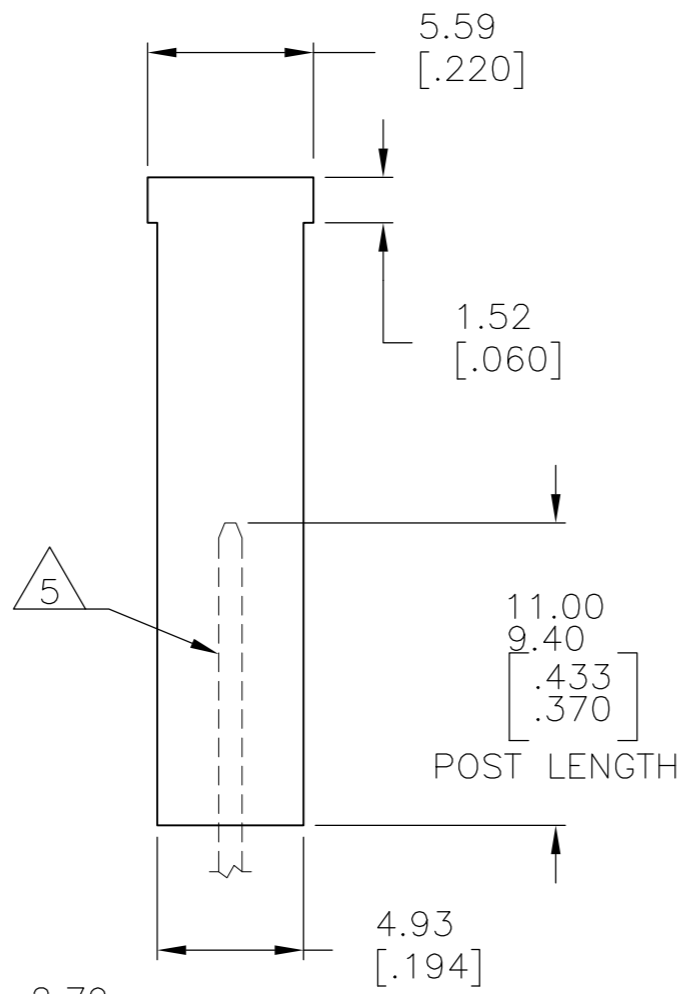
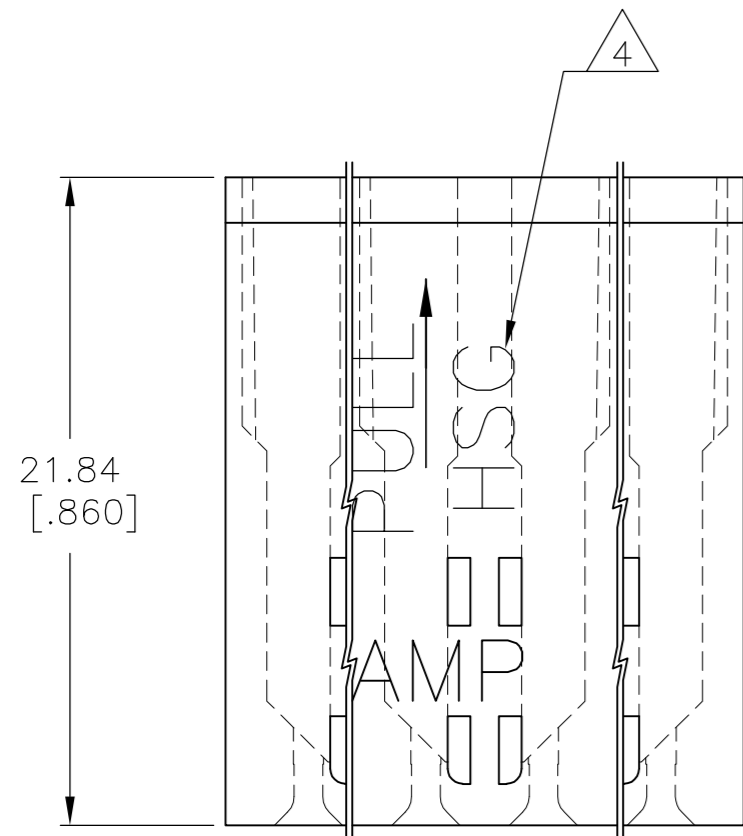
TOP VIEW 8



DETAIL X



DETAIL Y



- 1 PULL ON HOUSING TO REMOVE FROM POSTS. DO NOT CONFINE THE CONDUCTORS OR PULL ON THE CONDUCTORS DURING REMOVAL ACTION.
 - 2 IN ORDER FOR THIS HOUSING TO FUNCTION PROPERLY AS A CONNECTOR, THE CONTACTS (P/N 87278 SERIES) MUST BE CRIMPED ACCORDING TO AMP SPEC 114-25008.
- 4 MOLDED CHARACTERS THIS END.
 - 5 .79[.031] X 1.57[.062] POST SHOWN FOR REFERENCE ONLY.
 - 6 CAVITY ACCEPTS 0.79[.031] X 1.57[.062] POST (TYPICAL).
 - 7 BOLD CAVITY INDICATES TYPICAL DATUM.
 - 8 THIS VIEW TO BE REFERENCED WITH CAVITY ORIENTATION CHART.
 - 9 NO POST ENTREE HOLE IN THIS LOCATION.
 - 10 SEE DETAIL X.
 - 11 SEE DETAIL Y.

	53.14 [2.092]	23.77 [.936]	23.77 [.936]	13	1-87270-8
	45.21 [1.780]	19.81 [.780]	19.81 [.780]	11	1-87270-7
	37.29 [1.468]	15.85 [.624]	15.85 [.624]	9	1-87270-6
	29.36 [1.156]	11.89 [.468]	11.89 [.468]	7	1-87270-5
	21.44 [.844]	7.92 [.312]	7.92 [.312]	5	1-87270-4
	13.51 [.532]	3.96 [.156]	3.96 [.156]	3	1-87270-3
	25.40 [1.000]	11.89 [.468]	7.92 [.312]	5 OF 6	1-87270-2
	29.36 [1.156]	11.89 [.468]	11.89 [.468]	6 OF 7	1-87270-1
	21.44 [.844]	7.92 [.312]	7.92 [.312]	4 OF 5	1-87270-0
	57.10 [2.248]	27.74 [1.092]	23.77 [.963]	14	87270-9
	49.17 [1.936]	23.77 [.936]	19.81 [.780]	12	87270-8
	41.25 [1.624]	19.81 [.780]	15.85 [.624]	10	87270-7
	33.32 [1.312]	15.85 [.624]	11.89 [.468]	8	87270-6
	25.40 [1.000]	11.89 [.468]	7.92 [.312]	6	87270-5
	17.48 [.688]	7.92 [.312]	3.96 [.156]	4	87270-4
	17.48 [.688]	7.92 [.312]	3.96 [.156]	3 OF 4	87270-3
	9.55 [.376]	-	-	2	87270-2
	5.08 [.200]	-	-	1	87270-1

CAVITY ORIENTATION CHART

THIS DRAWING IS A CONTROLLED DOCUMENT.		DWN E.BRANDBERG 25FEB93	TE Connectivity		
DIMENSIONS: mm [INCHES]		CHK SCOTT A. SHUEY 25FEB93			
TOLERANCES UNLESS OTHERWISE SPECIFIED:		APVD SCOTT A. SHUEY 25FEB93	NAME		
0 PLC ± -		PRODUCT SPEC	HOUSING, LOCKING CLIP, SINGLE ROW, .156 CENTERS FOR .031 X .062 POST		
1 PLC ± -		APPLICATION SPEC	SIZE	CAGE CODE	DRAWING NO
2 PLC ± -		WEIGHT	A2	00779	C=87270
3 PLC ± 0.13 [.005]		CUSTOMER DRAWING	SCALE	SHEET	REV
4 PLC ± -			4:1	1 OF 1	J4
ANGLES ± -					
FINISH					
MATERIAL GLASS FILLED POLYESTER COLOR: BLACK					

X-ON Electronics

Largest Supplier of Electrical and Electronic Components

Click to view similar products for [Headers & Wire Housings](#) category:

Click to view products by [TE Connectivity](#) manufacturer:

Other Similar products are found below :

[95000-104TRLF](#) [10135584-644402LF](#) [DF62W-EP2022PCA](#) [95000-106TRLF](#) [DF62W-2022SCA](#) [DF62W-EP2022PC](#) [2203348](#) [DF62W-2022SC](#) [1084018](#) [1029039](#) [1084017](#) [802-10-012-10-002000](#) [1112640](#) [1112639](#) [000-34000](#) [0009482033](#) [0009507031](#) [57102-S06-03LF](#) [57202-S52-04LF](#) [PCN6-15S-2.5E](#) [0039019024](#) [58102-G61-06LF](#) [582553-1](#) [0009485154](#) [0009508121](#) [0022285053](#) [0050291907](#) [018731A](#) [LY20-4P-DT1-P1E-BR](#) [02.125.8002.8](#) [60101931](#) [60598-1 \(Cut Strip\)](#) [M1625-3R/100](#) [61062-3](#) [61082-181009](#) [636-1427](#) [638009-1](#) [641938-9](#) [641991-4](#) [644168-1](#) [647662-1](#) [65039-019ELF](#) [65817-002LF](#) [65817-015LF](#) [65863-015LF](#) [66207-023LF](#) [67016-026LF](#) [67046-001LF](#) [67095-007LF](#) [67230-005LF](#)