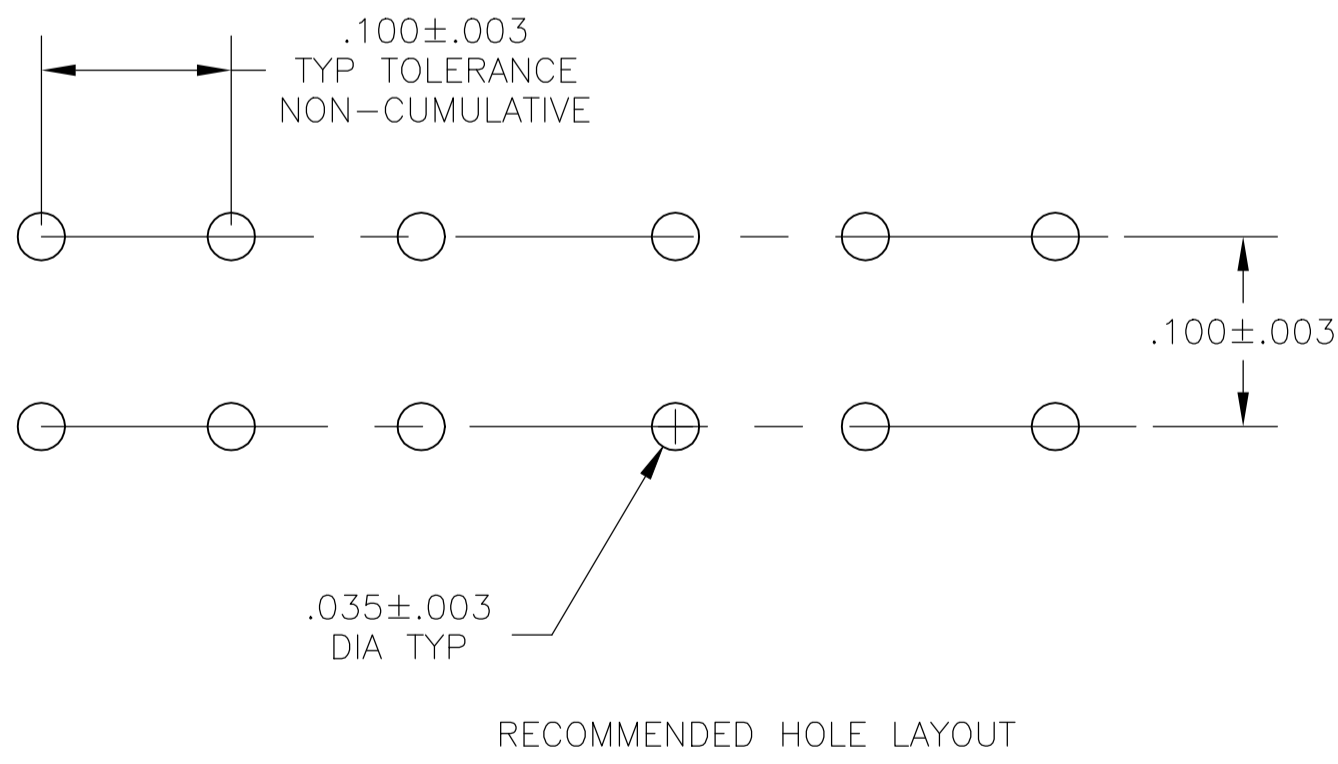
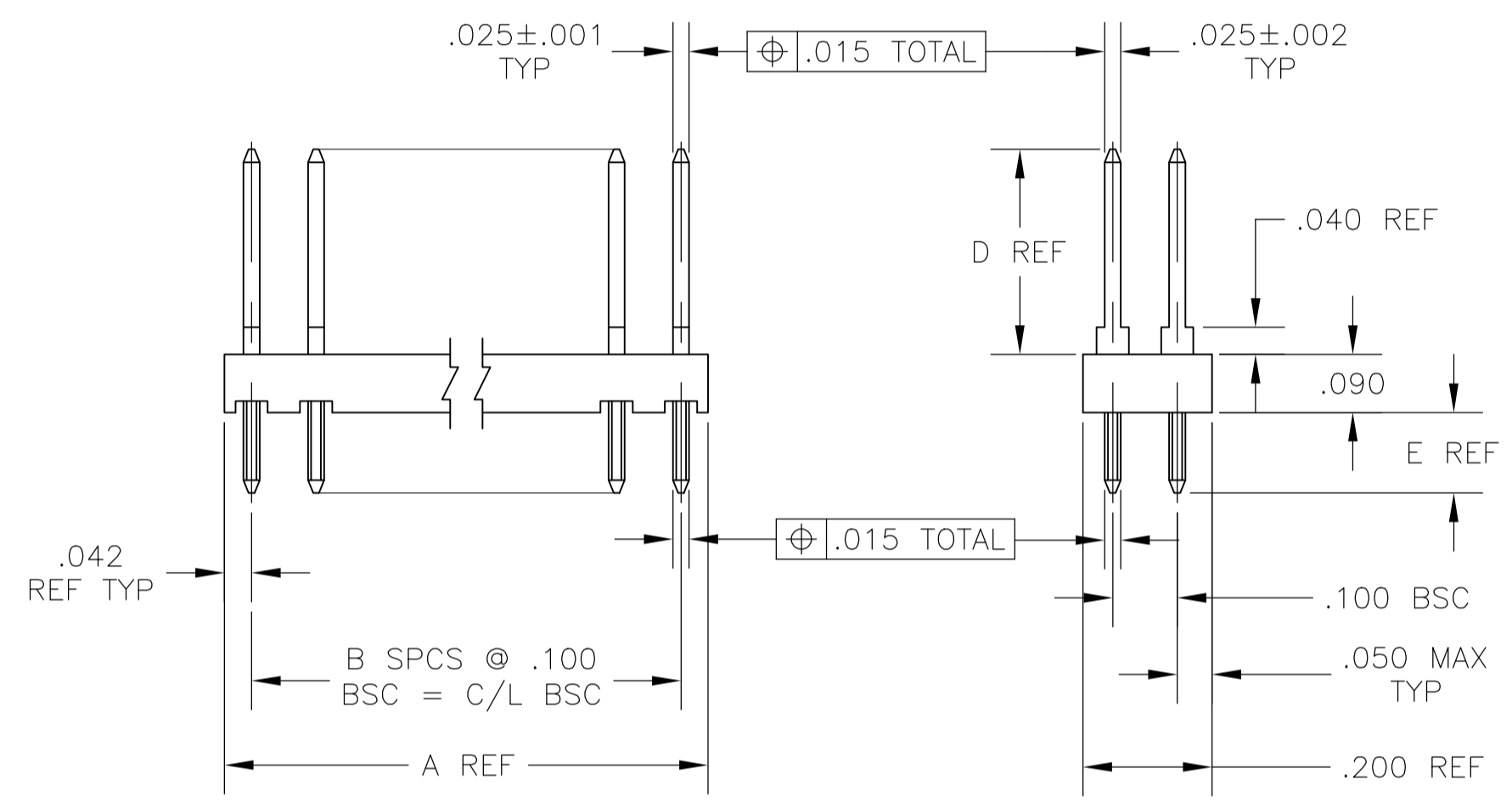


REV	DATE	BY	CHKD	DESCRIPTION
H4	01FEB2018	SD	PS	PART STATUS UPDATED IN PARTS LIST TABLE

- NOTES:
- TRUE POSITION TOLERANCE OF POST TIPS APPLIES WHEN HEADERS ARE HELD FLAT AGAINST PRINTED CIRCUIT BOARD.
 - OBSOLETE PART NUMBER
 - .000100-.000200 BRIGHT TIN OVER .000050-.000100 NICKEL.
 - .000100-.000200 BRIGHT TIN-LEAD OVER .000050-.000100 NICKEL.
 - PRELIMINARY PART
 - .000100-.000200 MATTE TIN OVER .000050 NICKEL.



SEE SHEET 2 FOR LEAD FREE PART NUMBERS

FINISH	E	D	C	B	A	NO OF POSN	PART NUMBER
5						12	4-87543-3
2						80	4-87543-2
3						80	4-87543-1
4						80	4-87543-0
						78	3-87543-9
						76	3-87543-8
						74	3-87543-7
						72	3-87543-6
						70	3-87543-5
						68	3-87543-4
						66	3-87543-3
						64	3-87543-2
						62	3-87543-1
						60	3-87543-0
						58	2-87543-9
						56	2-87543-8
						54	2-87543-7
						52	2-87543-6
						50	2-87543-5
						48	2-87543-4
						46	2-87543-3
						44	2-87543-2
						42	2-87543-1
						40	2-87543-0
						38	1-87543-9
						36	1-87543-8
						34	1-87543-7
						32	1-87543-6
						30	1-87543-5
						28	1-87543-4
						26	1-87543-3
						24	1-87543-2
						22	1-87543-1
						20	1-87543-0
						18	87543-9
						16	87543-8
						14	87543-7
						12	87543-6
						10	87543-5
						8	87543-4
						6	87543-3
						4	87543-2
4						2	87543-1

THIS DRAWING IS A CONTROLLED DOCUMENT.

DIMENSIONS: INCHES

TOLERANCES UNLESS OTHERWISE SPECIFIED:

0 PLG	± .005
1 PLG	± .005
2 PLG	± .005
3 PLG	± .005
4 PLG	± .005
ANGLES	± .005

MATERIAL: HDG-GLASS FILLED NYLON, COLOR: BLACK, CONTACT-PHOS BRONZE

FINISH: SEE TABLE

APPROVED: M.E. PASTEL, T.C. CLARK, T.C. CLARK

DATE: 20 NOV 87

NAME: T.C. CLARK

APPLICATION SPEC: ASSEMBLY, MOD II, HEADER, DOUBLE ROW, .100X.100

SIZE: A1

CAGE CODE: 00779

DRAWING NO: 87543

RESTRICTED TO: CUSTOMER DRAWING

SCALE: 4:1

SHEET: 1 OF 2

REV: H4

THIS DRAWING IS UNPUBLISHED. RELEASED FOR PUBLICATION
 COPYRIGHT - By - ALL RIGHTS RESERVED.

REVISIONS					
NO	LYR	DESCRIPTION	DATE	DWN	APVD
-	-	SEE SHEET 1	-	-	-

△6	.125	.318	3.900	39	3.984	80	9-87543-0
	.125	.318	3.800	38	3.884	78	8-87543-9
	.125	.318	3.700	37	3.784	76	8-87543-8
	.125	.318	3.600	36	3.684	74	8-87543-7
	.125	.318	3.500	35	3.584	72	8-87543-6
	.125	.318	3.400	34	3.484	70	8-87543-5
	.125	.318	3.300	33	3.384	68	8-87543-4
	.125	.318	3.200	32	3.284	66	8-87543-3
	.125	.318	3.100	31	3.184	64	8-87543-2
	.125	.318	3.000	30	3.084	62	8-87543-1
	.125	.318	2.900	29	2.984	60	8-87543-0
	.125	.318	2.800	28	2.884	58	7-87543-9
	.125	.318	2.700	27	2.784	56	7-87543-8
	.125	.318	2.600	26	2.684	54	7-87543-7
	.125	.318	2.500	25	2.584	52	7-87543-6
	.125	.318	2.400	24	2.484	50	7-87543-5
	.125	.318	2.300	23	2.384	48	7-87543-4
	.125	.318	2.200	22	2.284	46	7-87543-3
	.125	.318	2.100	21	2.184	44	7-87543-2
	.125	.318	2.000	20	2.084	42	7-87543-1
	.125	.318	1.900	19	1.984	40	7-87543-0
	.125	.318	1.800	18	1.884	38	6-87543-9
	.125	.318	1.700	17	1.784	36	6-87543-8
	.125	.318	1.600	16	1.684	34	6-87543-7
	.125	.318	1.500	15	1.584	32	6-87543-6
	.125	.318	1.400	14	1.484	30	6-87543-5
	.125	.318	1.300	13	1.384	28	6-87543-4
	.125	.318	1.200	12	1.284	26	6-87543-3
	.125	.318	1.100	11	1.184	24	6-87543-2
	.125	.318	1.000	10	1.084	22	6-87543-1
	.125	.318	.900	9	.984	20	6-87543-0
	.125	.318	.800	8	.884	18	5-87543-9
	.125	.318	.700	7	.784	16	5-87543-8
	.125	.318	.600	6	.684	14	5-87543-7
	.125	.318	.500	5	.584	12	5-87543-6
	.125	.318	.400	4	.484	10	5-87543-5
	.125	.318	.300	3	.384	8	5-87543-4
	.125	.318	.200	2	.284	6	5-87543-3
	.125	.318	.100	1	.184	4	5-87543-2
△6	.125	.318	-	-	.084	2	5-87543-1
FINISH	E	D	C	B	A	NO OF POSN	PART NUMBER

THIS DRAWING IS A CONTROLLED DOCUMENT. DWN M.E.PASTEL 20 NOV 87
 CHK T.C. CLARK 20 NOV 87
 APVD T.C. CLARK 20 NOV 87

STE TE Connectivity Ltd.

ASSEMBLY, MOD II, HEADER, DOUBLE ROW, .100X.100

PRODUCT SPEC: APPLICATION SPEC: SIZE: A1 CAGE CODE: 00779 DRAWING NO: 87543 RESTRICTED TO: H4

MATERIAL: H50-GLASS FILLED NYLON COLOR: BLACK CONTACT: PHOS BRONZE FINISH: SEE TABLE WEIGHT: CUSTOMER DRAWING SCALE: 4:1 SHEET: 2 OF 2 REV: H4

X-ON Electronics

Largest Supplier of Electrical and Electronic Components

Click to view similar products for [Headers & Wire Housings](#) category:

Click to view products by [TE Connectivity](#) manufacturer:

Other Similar products are found below :

[95000-104TRLF](#) [10135584-644402LF](#) [DF62W-EP2022PCA](#) [95000-106TRLF](#) [DF62W-2022SCA](#) [DF62W-EP2022PC](#) [2203348](#) [DF62W-2022SC](#) [1084018](#) [1029039](#) [1084017](#) [802-10-012-10-002000](#) [1112640](#) [1112639](#) [000-34000](#) [0009482033](#) [0009507031](#) [57102-S06-03LF](#) [57202-S52-04LF](#) [PCN6-15S-2.5E](#) [0039019024](#) [58102-G61-06LF](#) [582553-1](#) [0009485154](#) [0009508121](#) [0022285053](#) [0050291907](#) [018731A](#) [LY20-4P-DT1-P1E-BR](#) [02.125.8002.8](#) [60101931](#) [60598-1 \(Cut Strip\)](#) [M1625-3R/100](#) [61062-3](#) [61082-181009](#) [636-1427](#) [638009-1](#) [641938-9](#) [641991-4](#) [644168-1](#) [647662-1](#) [65039-019ELF](#) [65817-002LF](#) [65817-015LF](#) [65863-015LF](#) [66207-023LF](#) [67016-026LF](#) [67046-001LF](#) [67095-007LF](#) [67230-005LF](#)