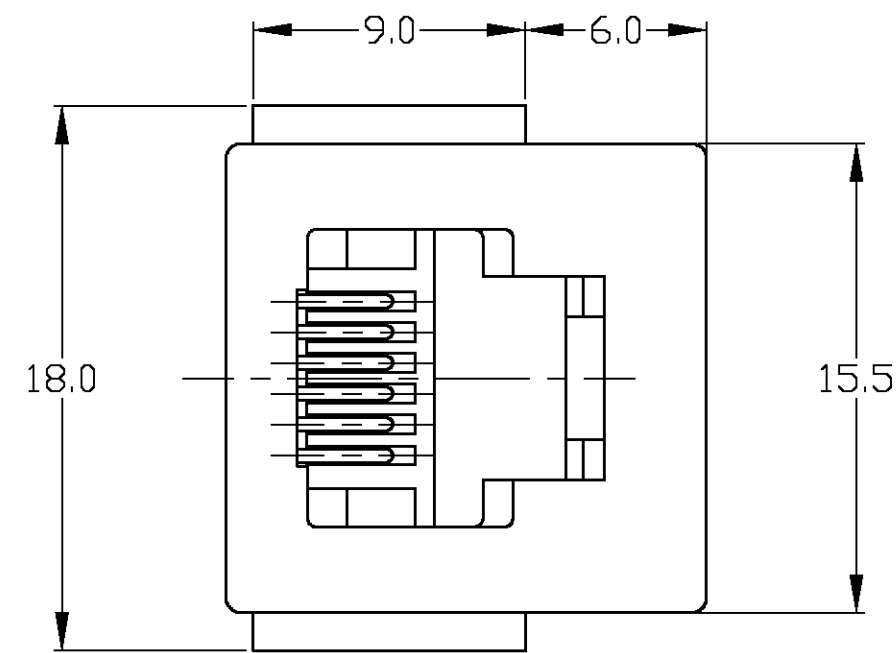


DO NOT SCALE
DIMENSIONS IN mm

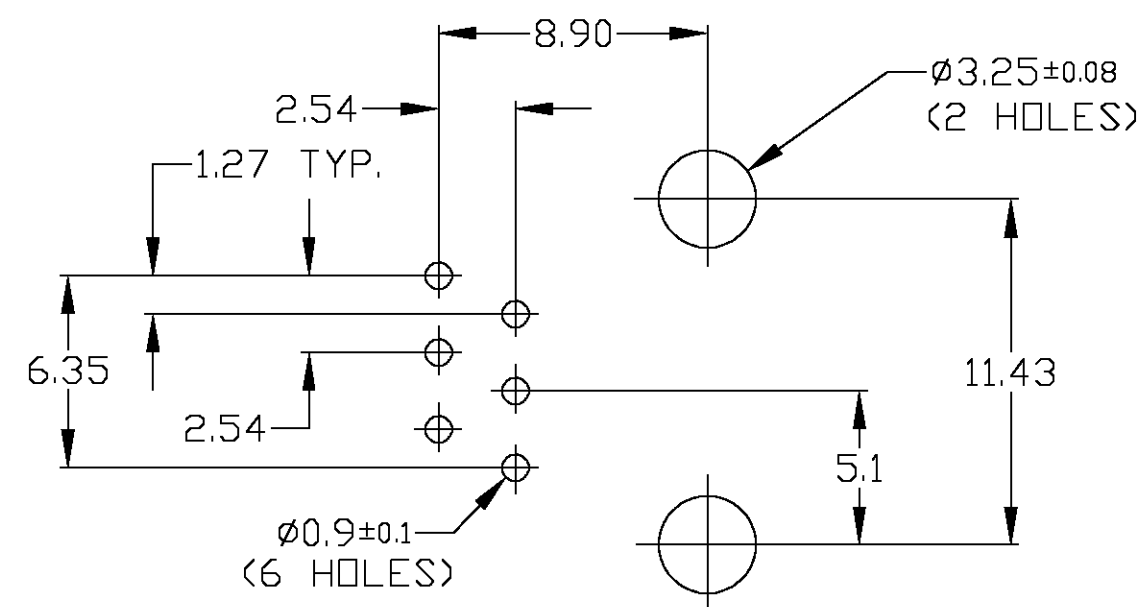
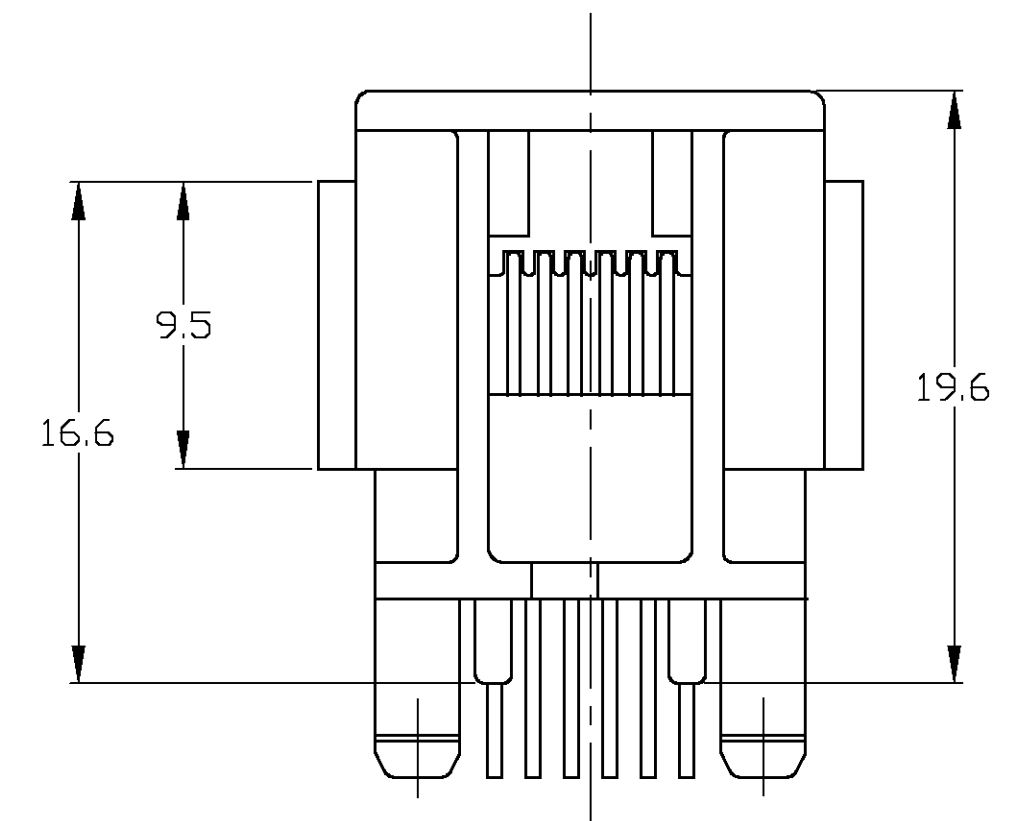
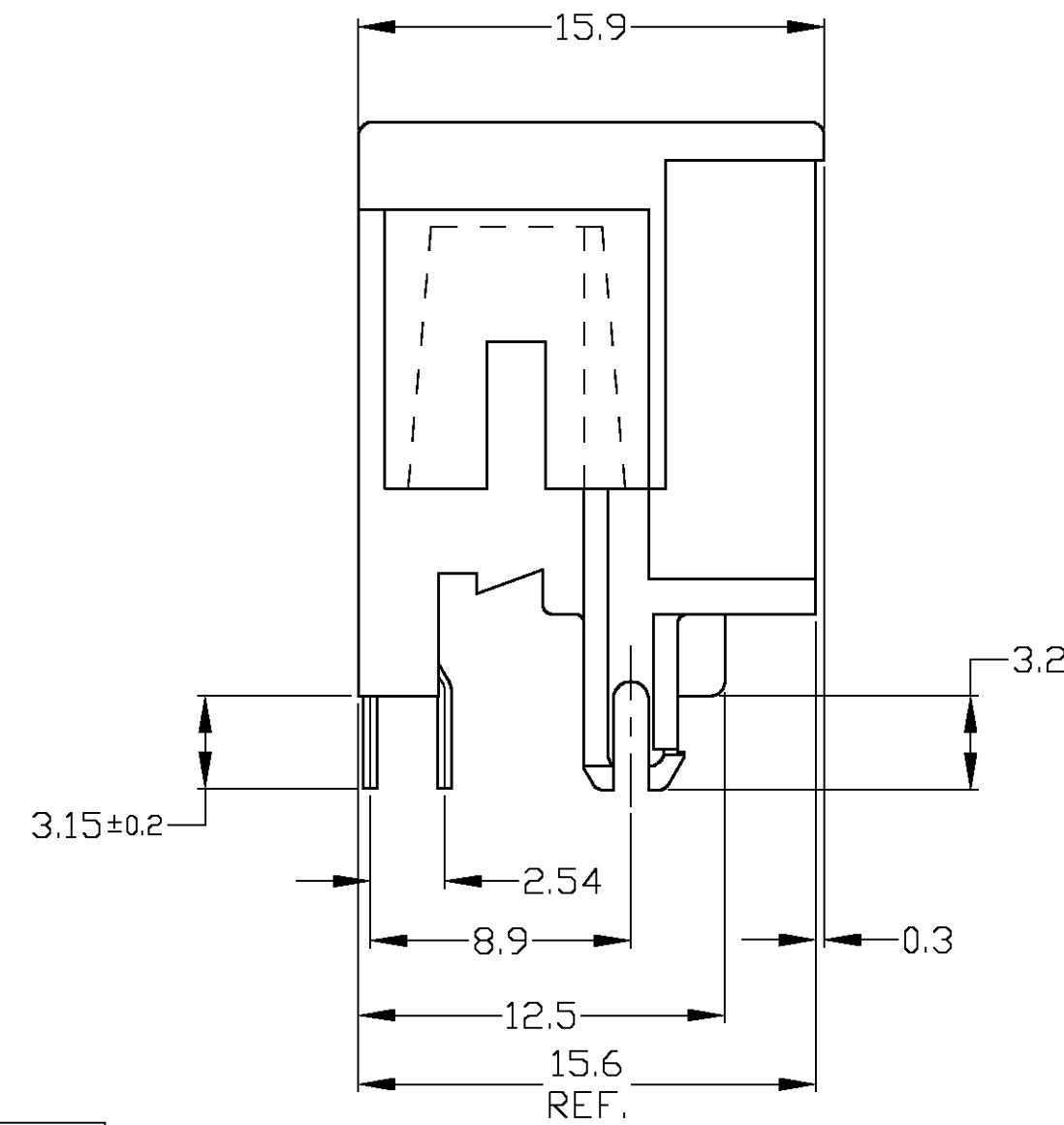
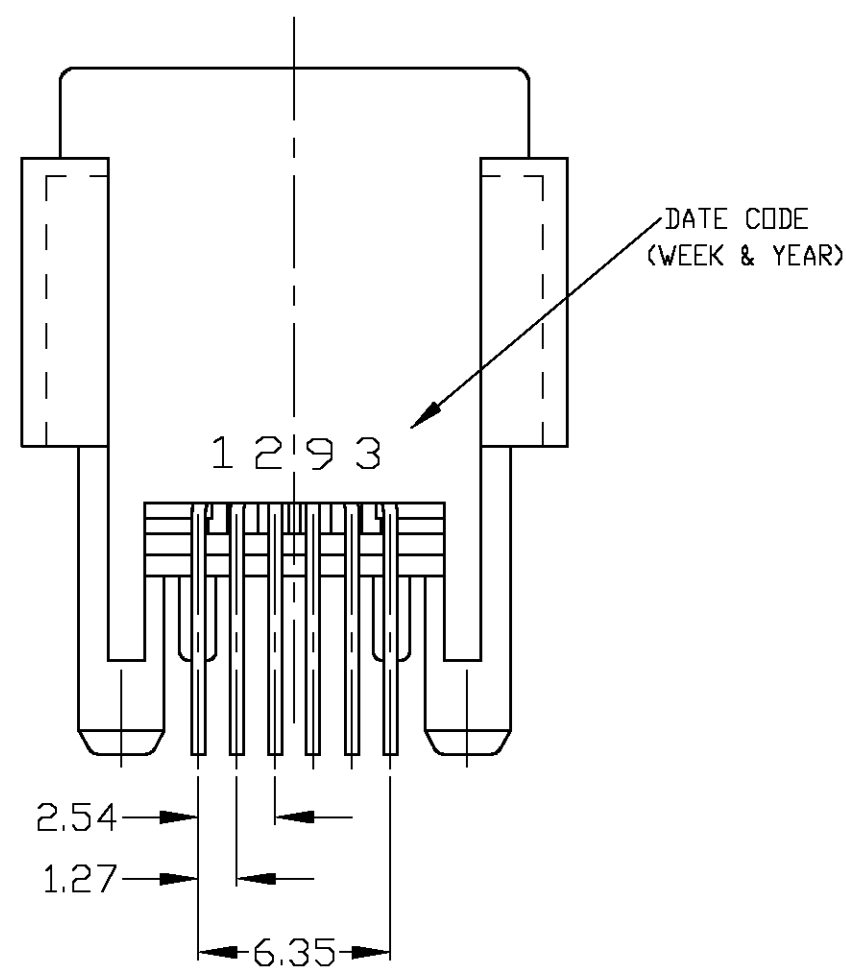
METRIC

THIRD ANGLE
PROJECTION



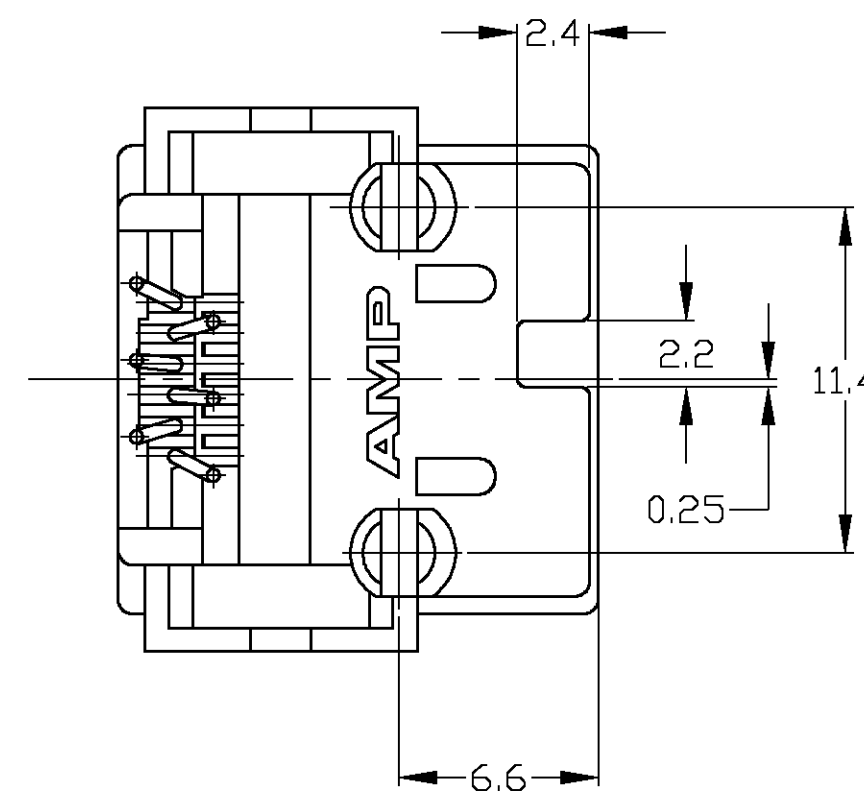
NOTES:

- 1 TOLERANCES UNLESS OTHERWISE SPECIFIED: $\pm 0,15$
- 2 FOR APPLICATION INFORMATION SEE AMP SPEC. 114-19019
- 3 FOR PERFORMANCE REQUIREMENTS SEE AMP SPEC. 108-19064
- 4 PACKAGING: BULK PACKAGED. TRUE POSITIONING OF THE SOLDER TINES MAY BE AFFECTED BY BULK PACKAGING.



PRINTED CIRCUIT BOARD LAYOUT

[VIEW SHOWN IS CIRCUIT (NONCOMPONENT) SIDE OF BOARD.]
PRINTED CIRCUIT BOARD THICKNESS: 1,6 mm NOMINAL.
TOLERANCES UNLESS OTHERWISE SPECIFIED $\pm 0,05$.



6 POSITIONS / 6 CONTACTS	IN CONTACT AREA 1,2µm MIN SEL HARD GOLD OVER 1,2µm MIN NICKEL	HOUSING PBT, UL 94V-0 COLOR: BLACK	100190-2
REMARKS	FINISH	MATERIAL	P/N
F SR10-0084-02	KV 06 FEB 02	CUSTOMER DRAWING FOR REFERENCE ONLY WILL NOT BE UPDATED	
E EH-1142-97	EvE W.B. 19 NOV 97	© COPYRIGHT 19 BY AMP HOLLAND B.V. ALL INTERNATIONAL RIGHTS RESERVED. AMP PRODUCTS MAY BE COVERED BY U.S. AND FOREIGN AND/OR PATENTS PENDING.	
D EH-0217-93	R.D. 04-11-93	THIS DRAWING IS UNPUBLISHED RELEASED FOR PUBLICATION	
C H-9194	D.K. 09-03-92	tyco Electronics Tyco Electronics Corporation Oostkamp - BELGIUM	
B H-9194	JvdH 16-10-91	NAME MODULAR JACK, 6 POS., TOP ENTRY	
A H-9194	JvdH 09-10-91	HIGH PROFILE, WITH PANEL STOPS	
LTR. REVISION RECORD	DR. CHK. DATE	FOR PRINTED CIRCUIT BOARD	
DR.: J.V.D.HEIJDEN DATE: 08-10-91	CHK.: C.STERKEN DATE:	APP.: L.V.SOEST DATE:	DWG.No. C-100190 REV.LTR. F SHEET 1 OF 1 A2

X-ON Electronics

Largest Supplier of Electrical and Electronic Components

Click to view similar products for [Modular Connectors / Ethernet Connectors](#) category:

Click to view products by [TE Connectivity](#) manufacturer:

Other Similar products are found below :

[RJE231881317T](#) [MP1010RX-1000](#) [MP44RX-1000](#) [GAX-3-66](#) [GAX-8-62](#) [93606-0253](#) [GD-A-44](#) [GDCX-PA-66-50](#) [GDCX-PN-64](#) [GDCX-PN-66](#) [GDCX-PN-66-50](#) [GDLX-A-66](#) [GDLX-A-88](#) [GDLX-N-66](#) [GDLX-S-88K](#) [GDTX-S-88-50](#) [GDX-PA-1010](#) [GLX-N-1010M-BLK](#) [GLX-N-44M](#) [GLX-S-88M-BLK](#) [GMX-N-1010](#) [GMX-S-1010](#) [GMX-S-66](#) [GMX-SMT2-N-1010](#) [GMX-SMT2-N-64-50](#) [GMX-SMT2-S6-88](#) [GMX-SMT4-N-88](#) [GPX-2-64](#) [GRT1-BT1-5](#) [GSGX-N-2-88](#) [GSX-NS2-88-3.05](#) [GSX-NS2-88-3.05-50](#) [GSX-NS-88-3.05-30](#) [GSX-NS-88-3.05-50](#) [GSX-NS-88-3.68](#) [1-1775629-2](#) [GWLX-S-88-GR](#) [GWLX-S9-88-YG](#) [1300500326](#) [1300500227](#) [1300530003](#) [1300570002](#) [1324640-4](#) [RJ11FTVC2G](#) [RJ11FTVC2N](#) [RJFTVX2SA1G](#) [132764-001](#) [1400000](#) [1413176](#) [1413235](#)