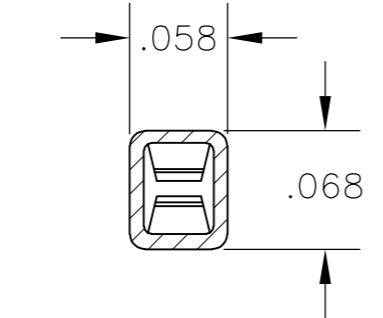
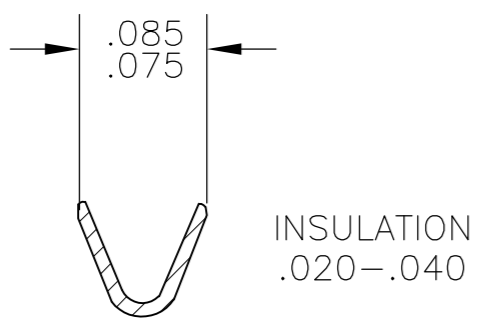
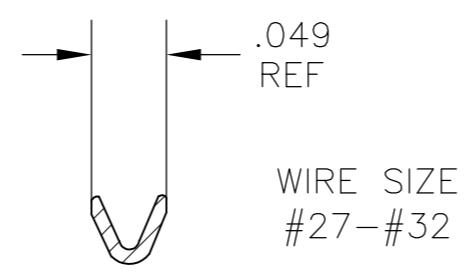
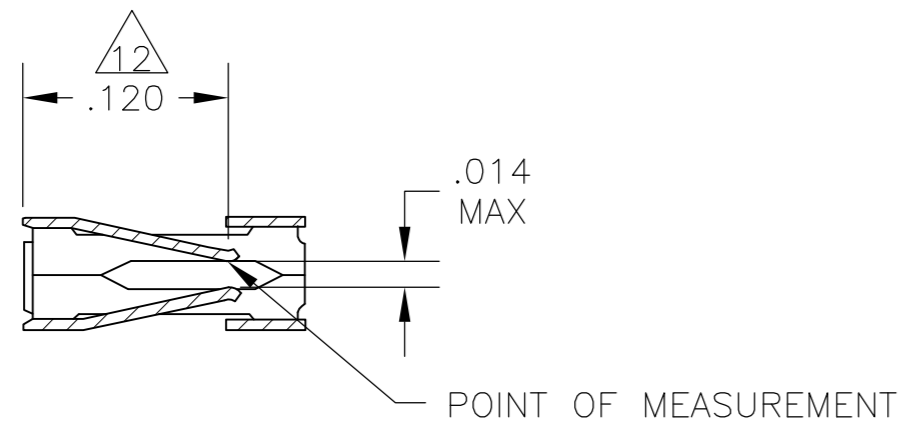
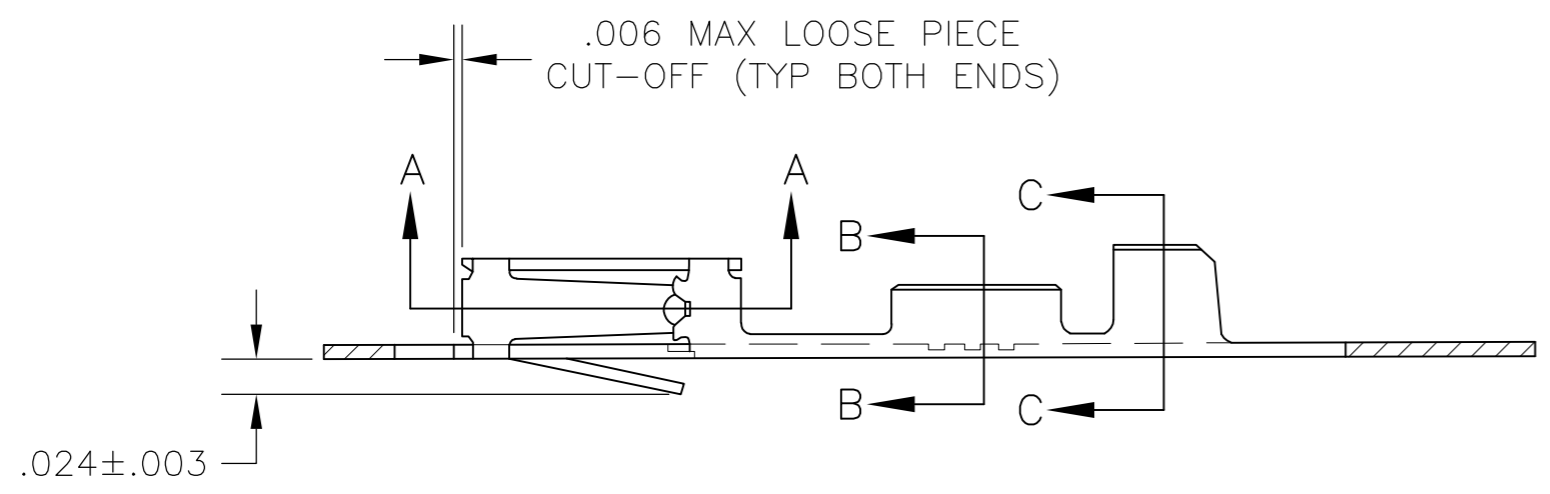
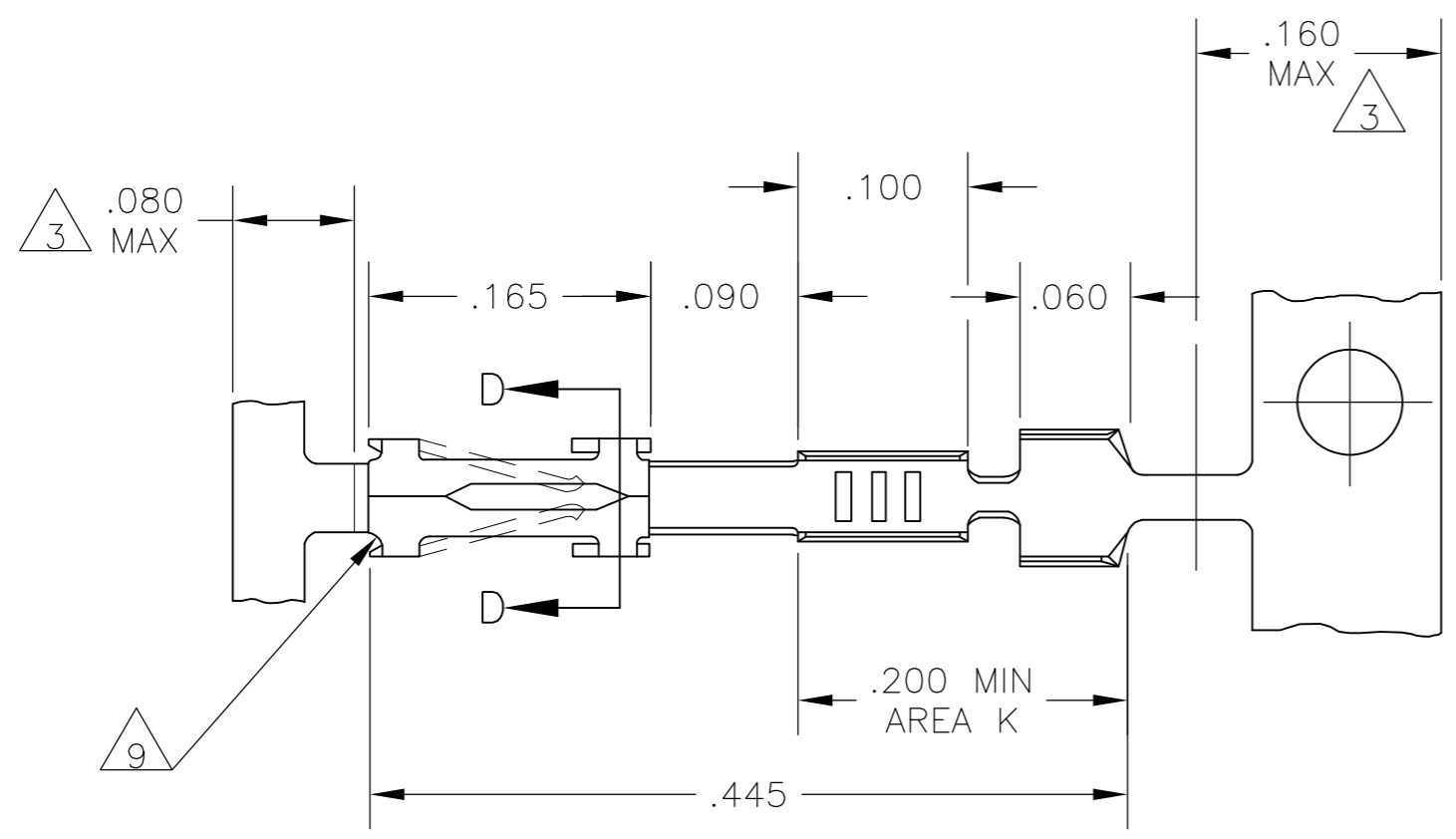


THIS DRAWING IS UNPUBLISHED. RELEASED FOR PUBLICATION  
 © COPYRIGHT - By - ALL RIGHTS RESERVED.

LOC	DIST	REVISIONS			
P	LTR	DESCRIPTION	DATE	DWN	APVD
AD	00	R2	REVISED PER ECO-11-004820	11MAR11	RK HMR



- 1 UNPLATED
- 2 .000030 GOLD ON CONTACT AREA, GOLD FLASH ON THE REMAINDER, ALL OVER .000050 NICKEL.
- 3 GOLD PLATING NOT REQUIRED THIS AREA.
- 4 .000050 NICKEL ENTIRE CONTACT, .000015 GOLD ON CONTACT AREA.
- 5 SHEARED EDGES PERMITTED TO BE UNPLATED.
- 6 PREPLATED .000050-.000150 BRIGHT TIN.
- 7 REELED FOR MINI APPLICATOR.
- 8 .000015 GOLD ON CONTACT AREA, .000100-.000200 BRIGHT TIN-LEAD ON AREA K, OVER .000050 NICKEL.
- 9 CUT OUTS ON BOX AT MANUFACTURER'S OPTION.
- 10 .000030 GOLD ON CONTACT AREA, .000100-.000200 BRIGHT TIN-LEAD IN AREA K, ALL OVER .000050 NICKEL.
- 12 POINT OF MEASUREMENT FOR PLATING THICKNESS (INSIDE BEAMS)
- 13 OBSOLETE PART NUMBER
- 14 .000015 GOLD ON CONTACT AREA, .000100-.000200 MATTE TIN ON AREA K, OVER .000050 NICKEL.
- 15 .000030 GOLD ON CONTACT AREA, .000100-.000200 MATTE TIN IN AREA K, ALL OVER .000050 NICKEL.

LOOSE PIECE PART NO	FINISH	PART NUMBER
6-102316-4	5/15	5-102316-8
6-102316-3	5/14	5-102316-6
1-102316-4	5/10	102316-8
1-102316-3	5/8	102316-6
1-102316-2	6	102316-5
1-102316-1	4/5	102316-3
1-102316-0	2	102316-2
---	1	102316-1

THIS DRAWING IS A CONTROLLED DOCUMENT.		DWN	15 NOV 78	<b>TE</b> TE Connectivity	
DIMENSIONS: INCHES		CHK	14 FEB 79		
TOLERANCES UNLESS OTHERWISE SPECIFIED:		APVD	20 FEB 79	NAME	
0 PLC	± -	PRODUCT SPEC		CONTACT, FEMALE, MOD IV CRIMP SNAP-IN	
1 PLC	± -	APPLICATION SPEC		SIZE	RESTRICTED TO
2 PLC	± -	MATERIAL		CAGE CODE	DRAWING NO
3 PLC	± 0.13 [.005]	FINISH		00779	102316
4 PLC	± -	SEE TABLE		SCALE	8:1
ANGLES	± -	WEIGHT		SHEET	1 of 1
MATERIAL: CU-SN-P ALLOY 521 .008 THK		CUSTOMER DRAWING		REV	R2

102316

## X-ON Electronics

Largest Supplier of Electrical and Electronic Components

*Click to view similar products for [Headers & Wire Housings](#) category:*

*Click to view products by [TE Connectivity](#) manufacturer:*

Other Similar products are found below :

[95000-104TRLF](#) [10135584-644402LF](#) [DF62W-EP2022PCA](#) [95000-106TRLF](#) [DF62W-2022SCA](#) [DF62W-EP2022PC](#) [2203348](#) [DF62W-2022SC](#) [1084018](#) [1029039](#) [1084017](#) [802-10-012-10-002000](#) [1112640](#) [1112639](#) [000-34000](#) [0009482033](#) [0009507031](#) [57102-S06-03LF](#) [57202-S52-04LF](#) [PCN6-15S-2.5E](#) [0039019024](#) [58102-G61-06LF](#) [582553-1](#) [0009485154](#) [0009508121](#) [0022285053](#) [0050291907](#) [018731A](#) [LY20-4P-DT1-P1E-BR](#) [02.125.8002.8](#) [60101931](#) [60598-1 \(Cut Strip\)](#) [M1625-3R/100](#) [61062-3](#) [61082-181009](#) [636-1427](#) [638009-1](#) [641938-9](#) [641991-4](#) [644168-1](#) [647662-1](#) [65039-019ELF](#) [65817-002LF](#) [65817-015LF](#) [65863-015LF](#) [66207-023LF](#) [67016-026LF](#) [67046-001LF](#) [67095-007LF](#) [67230-005LF](#)