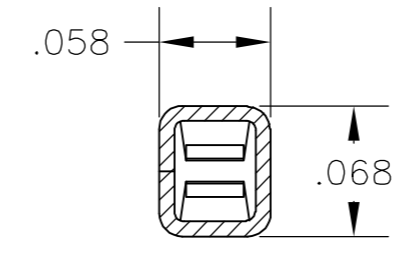
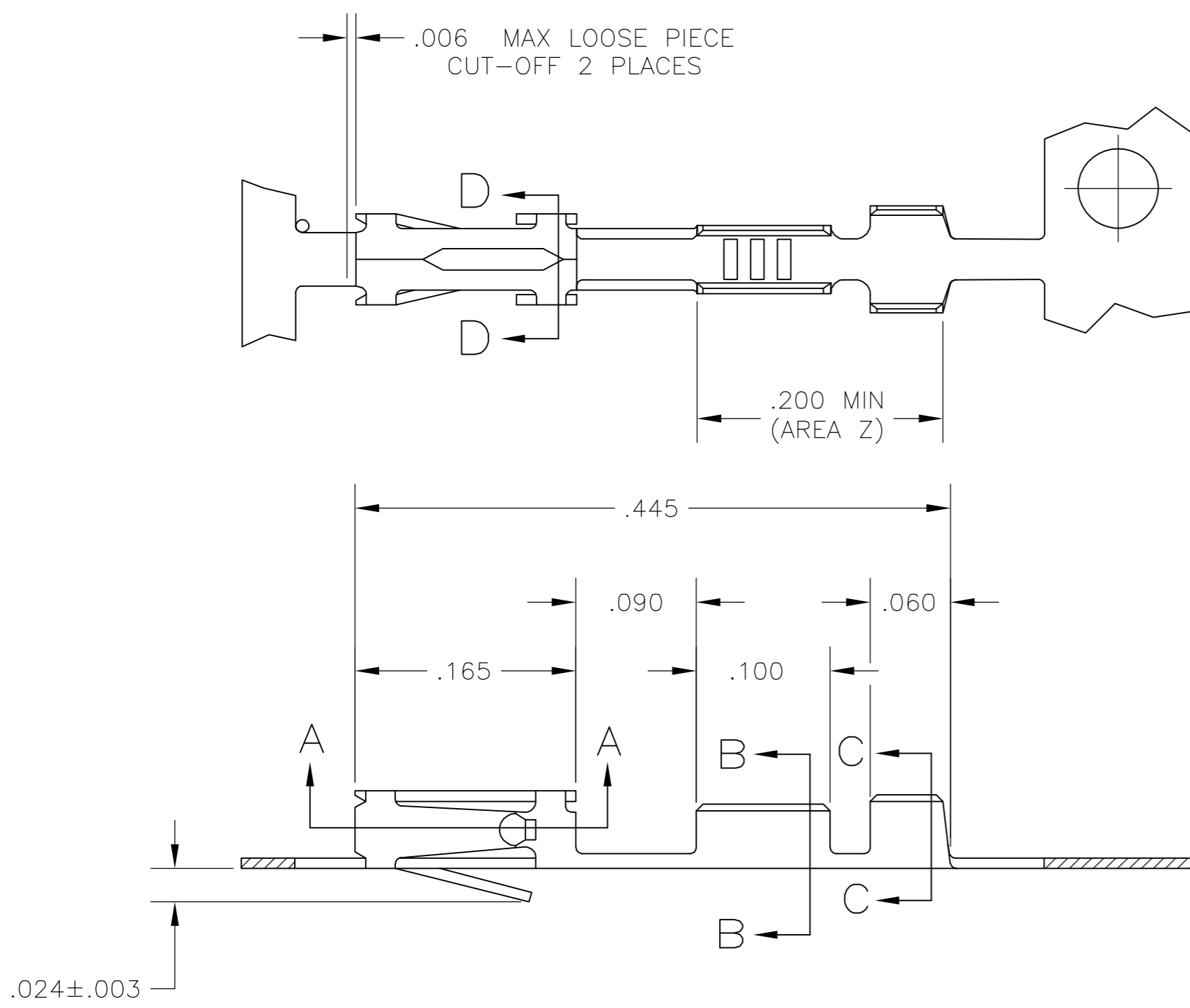
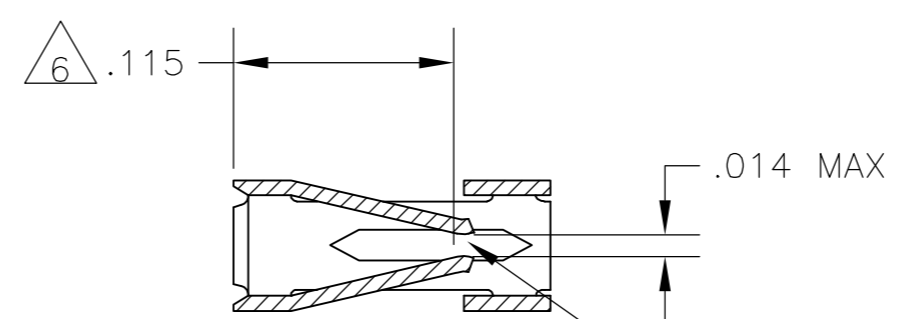


THIS DRAWING IS UNPUBLISHED. RELEASED FOR PUBLICATION
 © COPYRIGHT BY TYCO ELECTRONICS CORPORATION. ALL RIGHTS RESERVED.

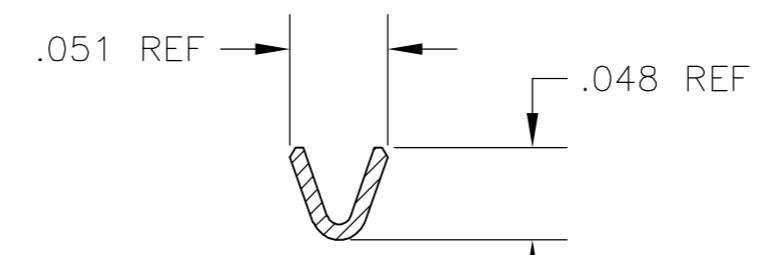
LOC	DIST	REVISIONS			
P	LTR	DESCRIPTION	DATE	DWN	APVD
AD	00	G	ECO-05-007262	09JAN06	BSV MM



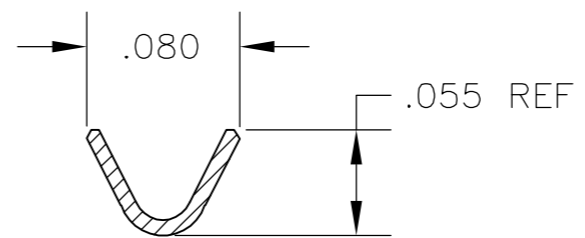
SECTION D-D



SECTION A-A
POINT OF MEASUREMENT FOR PLATING THICKNESS



WIRE SIZE #27-#32
SECTION B-B



SECTION C-C
INSULATION RANGE - .020-.040 DIA

- 1 .000030 ON CONTACT AREA, .000100-.000200 93/7 TIN LEAD IN CRIMP AREA "Z", ALL OVER .000050 NICKEL.
- 2. REELED FOR MINI APPLICATOR.
- 3 SHEARED EDGES PERMITTED TO BE UNPLATED.
- 4 .000015 GOLD IN AREA "K", .000100-.000200 BRIGHT TIN-LEAD IN AREA "Z", ALL OVER .000050 NICKEL.
- 5 .000015 GOLD IN CONTACT AREA, .000050 NICKEL ENTIRE CONTACT.
- 6 POINT OF MEASUREMENT FOR PLATING THICKNESS (INSIDE BEAMS)
- 7 .000030 ON CONTACT AREA, .000100-.000200 MATTE TIN IN CRIMP AREA "Z", ALL OVER .000050 NICKEL.

	LOOSE PIECE	$\frac{3}{7}$	5-102920-2
		$\frac{3}{7}$	5-102920-1
OBsolete	LOOSE PIECE	$\frac{3}{5}$	102920-8
OBsolete		$\frac{3}{5}$	102920-7
OBsolete	LOOSE PIECE	$\frac{3}{4}$	102920-5
OBsolete		$\frac{3}{4}$	102920-4
	LOOSE PIECE	$\frac{3}{1}$	102920-2
		$\frac{3}{1}$	102920-1
	REMARKS	FINISH	PART NUMBER

THIS DRAWING IS A CONTROLLED DOCUMENT.

DWN KATE HELM 03MAY89	Tyco Electronics Corporation Harrisburg, Pa 17105-3608		
CHK C. OBERMAN 02JUN89			
APVD J. GESFORD 02JUN89			
PRODUCT SPEC 108-25021			
MATERIAL CU-SN-P ALLOY 521 .008 THK COML	FINISH SEE TABLE	NAME	CONTACT, MOD IV 1/2, RECEPTACLE, CRIMP SNAP-IN
DIMENSIONS: INCHES	TOLERANCES UNLESS OTHERWISE SPECIFIED:	SIZE A2	CAGE CODE 00779
0 PLC ± -	1 PLC ± -	DRAWING NO	C=102920
2 PLC ± -	3 PLC ± .005	RESTRICTED TO	
4 PLC ± -	ANGLES ± -	SCALE 10:1	SHEET 1 OF 1
WEIGHT -	FINISH SEE TABLE	REV G	
CUSTOMER DRAWING			

X-ON Electronics

Largest Supplier of Electrical and Electronic Components

Click to view similar products for [Headers & Wire Housings](#) category:

Click to view products by [TE Connectivity](#) manufacturer:

Other Similar products are found below :

[95000-104TRLF](#) [10135584-644402LF](#) [DF62W-EP2022PCA](#) [95000-106TRLF](#) [DF62W-2022SCA](#) [DF62W-EP2022PC](#) [2203348](#) [DF62W-2022SC](#) [1084018](#) [1029039](#) [1084017](#) [802-10-012-10-002000](#) [1112640](#) [1112639](#) [000-34000](#) [0009482033](#) [0009507031](#) [57102-S06-03LF](#) [57202-S52-04LF](#) [PCN6-15S-2.5E](#) [0039019024](#) [58102-G61-06LF](#) [582553-1](#) [0009485154](#) [0009508121](#) [0022285053](#) [0050291907](#) [018731A](#) [LY20-4P-DT1-P1E-BR](#) [02.125.8002.8](#) [60101931](#) [60598-1 \(Cut Strip\)](#) [M1625-3R/100](#) [61062-3](#) [61082-181009](#) [636-1427](#) [638009-1](#) [641938-9](#) [641991-4](#) [644168-1](#) [647662-1](#) [65039-019ELF](#) [65817-002LF](#) [65817-015LF](#) [65863-015LF](#) [66207-023LF](#) [67016-026LF](#) [67046-001LF](#) [67095-007LF](#) [67230-005LF](#)