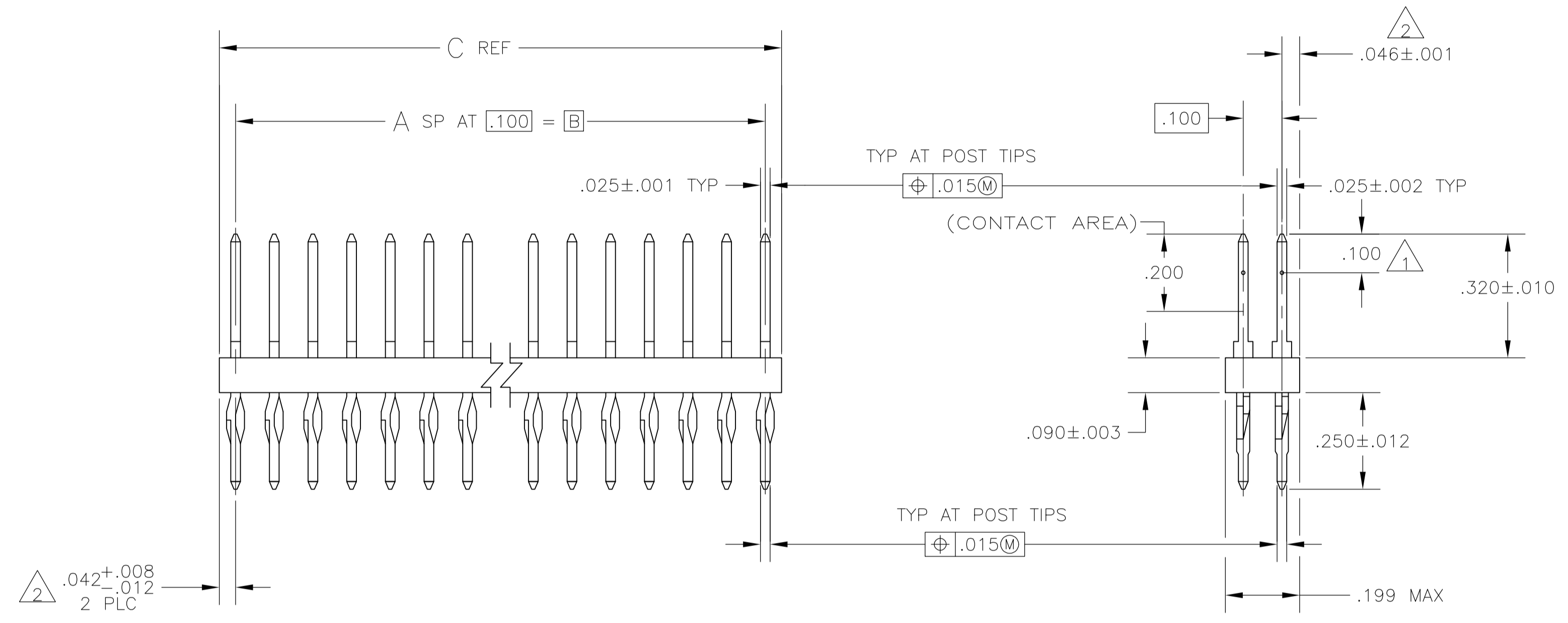
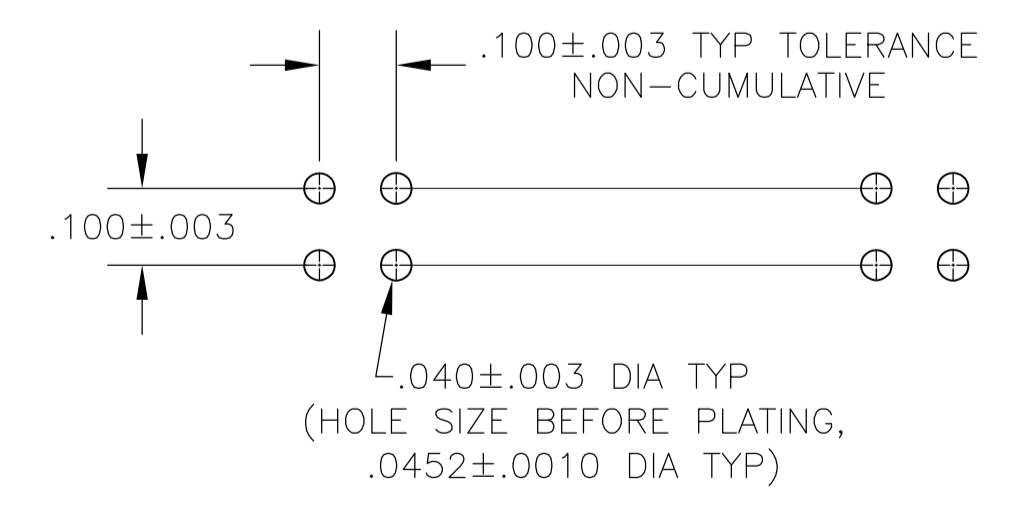


REVISIONS					
P	LTR	DESCRIPTION	DATE	DMN	APVD
H4		HSG WIDTH DIM CORRECTED TO .199 MAX	18JAN2017	RP	PS



- 1 POINT OF MEASUREMENT FOR PLATING THICKNESS.
- 2 THE NOTED DIMENSIONS APPLY AT THE INTERSECTION OF THE POST AND HOUSING.
- 3 TRUE POSITION TOLERANCE OF THE POST TIPS APPLIES WHEN THE HEADERS ARE HELD FLAT AGAINST THE PRINTED CIRCUIT BOARD.
- 4 FINISH: POSTS, .000030 GOLD IN CONTACT AREA, .000100-.000200 MATTE TIN-LEAD ON SOLDER TAIL, ALL OVER .000050 NICKEL.
- 5 FINISH: POSTS, .000030 GOLD IN CONTACT AREA, .000100-.000200 MATTE TIN ON SOLDER TAIL, ALL OVER .000050 NICKEL.
- 6 OBSOLETE PARTS: OBSOLETE CIS STREAMLINING PER D.RENAUD/D.SINISI.



RECOMMENDED HOLE LAYOUT

	1	2	3	4	5	6
OBSOLETE	3.984	3.900	39	80	8-103233-9	
OBSOLETE	2.984	2.900	29	60	7-103233-9	
OBSOLETE	2.484	2.400	24	50	7-103233-4	
OBSOLETE	2.084	2.000	20	42	7-103233-0	
OBSOLETE	1.984	1.900	19	40	6-103233-9	
OBSOLETE	1.884	1.800	18	38	6-103233-8	
OBSOLETE	1.784	1.700	17	36	6-103233-7	
OBSOLETE	1.684	1.600	16	34	6-103233-6	
OBSOLETE	1.584	1.500	15	32	6-103233-5	
OBSOLETE	1.484	1.400	14	30	6-103233-4	
OBSOLETE	1.384	1.300	13	28	6-103233-3	
OBSOLETE	1.284	1.200	12	26	6-103233-2	
OBSOLETE	1.184	1.100	11	24	6-103233-1	
OBSOLETE	1.084	1.000	10	22	6-103233-0	
	.984	.900	9	20	5-103233-9	
	.884	.800	8	18	5-103233-8	
	.784	.700	7	16	5-103233-7	
	.684	.600	6	14	5-103233-6	
	.584	.500	5	12	5-103233-5	
	.484	.400	4	10	5-103233-4	
	.384	.300	3	8	5-103233-3	
	.284	.200	2	6	5-103233-2	
OBSOLETE	.184	.100	1	4	5-103233-1	

	1	2	3	4	5	6
OBSOLETE	3.984	3.900	39	80	3-103233-9	
OBSOLETE	3.884	3.800	38	78	3-103233-8	
OBSOLETE	3.784	3.700	37	76	3-103233-7	
OBSOLETE	3.684	3.600	36	74	3-103233-6	
OBSOLETE	3.584	3.500	35	72	3-103233-5	
OBSOLETE	3.484	3.400	34	70	3-103233-4	
OBSOLETE	3.384	3.300	33	68	3-103233-3	
OBSOLETE	3.284	3.200	32	66	3-103233-2	
OBSOLETE	3.184	3.100	31	64	3-103233-1	
OBSOLETE	3.084	3.000	30	62	3-103233-0	
	2.984	2.900	29	60	2-103233-9	
OBSOLETE	2.884	2.800	28	58	2-103233-8	
OBSOLETE	2.784	2.700	27	56	2-103233-7	
OBSOLETE	2.684	2.600	26	54	2-103233-6	
OBSOLETE	2.584	2.500	25	52	2-103233-5	
	2.484	2.400	24	50	2-103233-4	
OBSOLETE	2.384	2.300	23	48	2-103233-3	
OBSOLETE	2.284	2.200	22	46	2-103233-2	
OBSOLETE	2.184	2.100	21	44	2-103233-1	
OBSOLETE	2.084	2.000	20	42	2-103233-0	
	1.984	1.900	19	40	1-103233-9	
	1.884	1.800	18	38	1-103233-8	
OBSOLETE	1.784	1.700	17	36	1-103233-7	
	1.684	1.600	16	34	1-103233-6	
	1.584	1.500	15	32	1-103233-5	
OBSOLETE	1.484	1.400	14	30	1-103233-4	
OBSOLETE	1.384	1.300	13	28	1-103233-3	
	1.284	1.200	12	26	1-103233-2	
	1.184	1.100	11	24	1-103233-1	
OBSOLETE	1.084	1.000	10	22	1-103233-0	
	.984	.900	9	20	103233-9	
	.884	.800	8	18	103233-8	
	.784	.700	7	16	103233-7	
	.684	.600	6	14	103233-6	
	.584	.500	5	12	103233-5	
	.484	.400	4	10	103233-4	
	.384	.300	3	8	103233-3	
	.284	.200	2	6	103233-2	
	.184	.100	1	4	103233-1	

THIS DRAWING IS A CONTROLLED DOCUMENT. **STE** TE Connectivity

APVD: H. MOLL 15 JULY 87; L.A. MAYER 16 JULY 87; T.C. CLARK 17 JULY 87

NAME: HDR ASSY, MOD II  
UNSHRD COMP PIN, DUAL ROW  
.100 X .100 C/L, .025 SQ POSTS

APPLICATION SPEC: PRODUCT SPEC

SIZE: A1; CAGE CODE: 00779; DRAWING NO: 103233

WEIGHT: 0; RESTRICTED TO: CUSTOMER DRAWING

SCALE: 4:1; SHEET: 1 of 1; REV: H4

## X-ON Electronics

Largest Supplier of Electrical and Electronic Components

*Click to view similar products for [Headers & Wire Housings](#) category:*

*Click to view products by [TE Connectivity](#) manufacturer:*

Other Similar products are found below :

[95000-104TRLF](#) [10135584-644402LF](#) [DF62W-EP2022PCA](#) [95000-106TRLF](#) [DF62W-2022SCA](#) [DF62W-EP2022PC](#) [2203348](#) [DF62W-2022SC](#) [1084018](#) [1029039](#) [1084017](#) [802-10-012-10-002000](#) [1112640](#) [1112639](#) [000-34000](#) [0008550134](#) [0009482033](#) [0009507031](#) [57102-F02-18ULF](#) [57102-S06-03LF](#) [57202-S52-04LF](#) [PCN6-15S-2.5E](#) [0039019024](#) [58102-G61-06LF](#) [582553-1](#) [0009485154](#) [0009508121](#) [009176003701906](#) [0022285053](#) [0050291907](#) [018731A](#) [LY20-4P-DT1-P1E-BR](#) [02.125.8002.8](#) [60101931](#) [60598-1 \(Cut Strip\)](#) [M1625-3R/100](#) [61062-3](#) [61082-181009](#) [CSU011177004](#) [636-1427](#) [638009-1](#) [641938-9](#) [641991-4](#) [644168-1](#) [644827-2](#) [647662-1](#) [65039-019ELF](#) [65692-001LF](#) [65781-018](#) [65781-047](#)