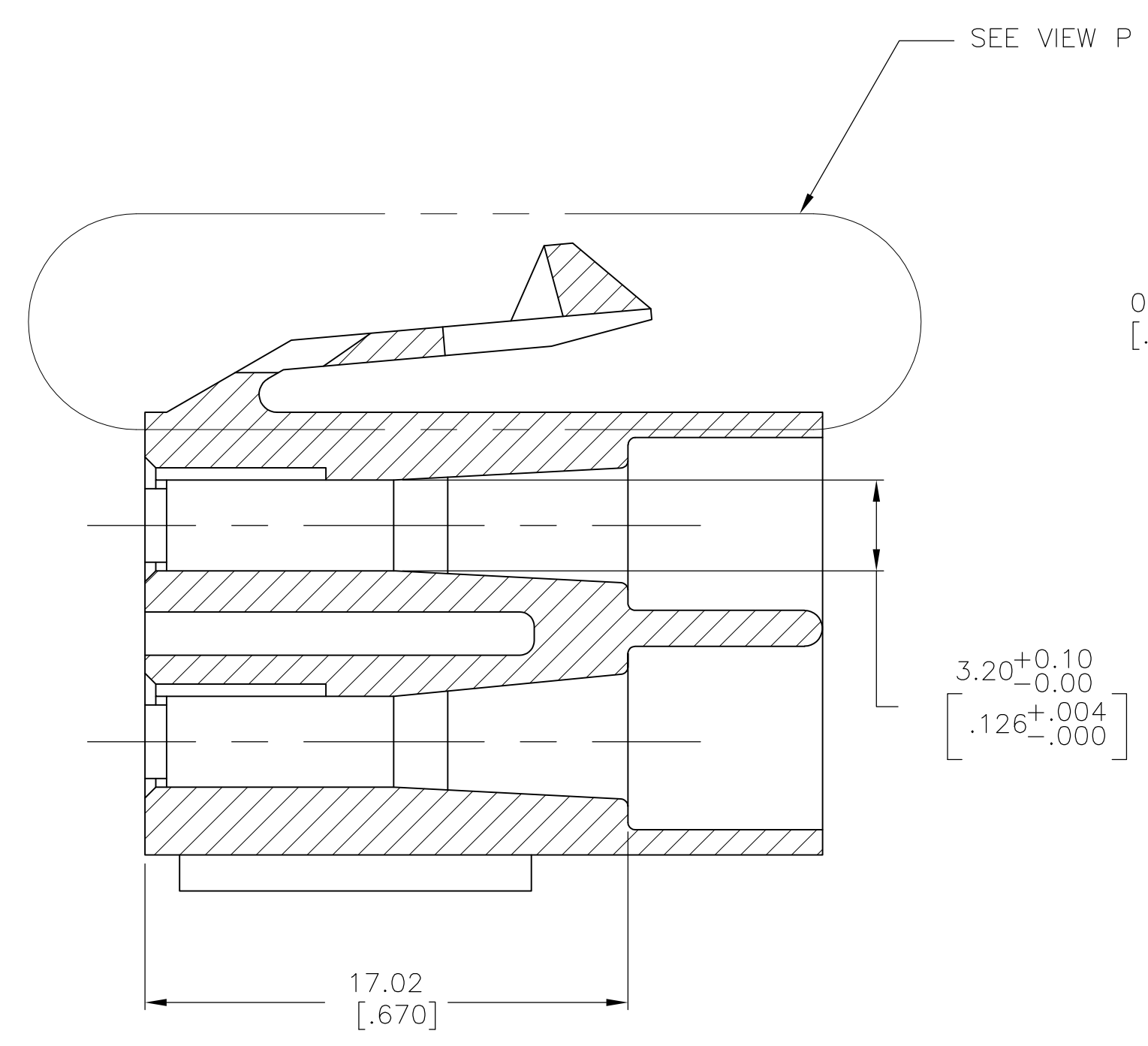
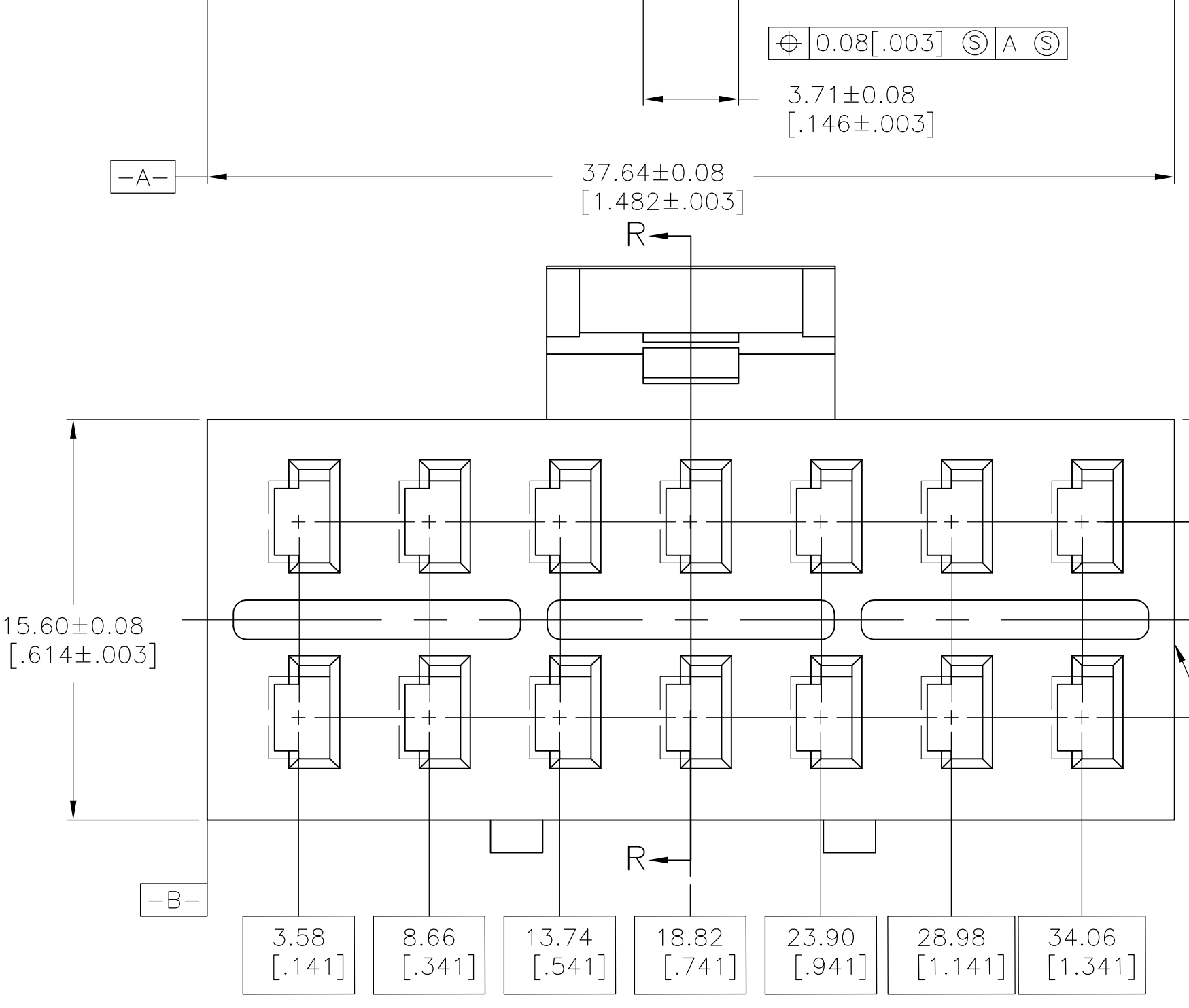
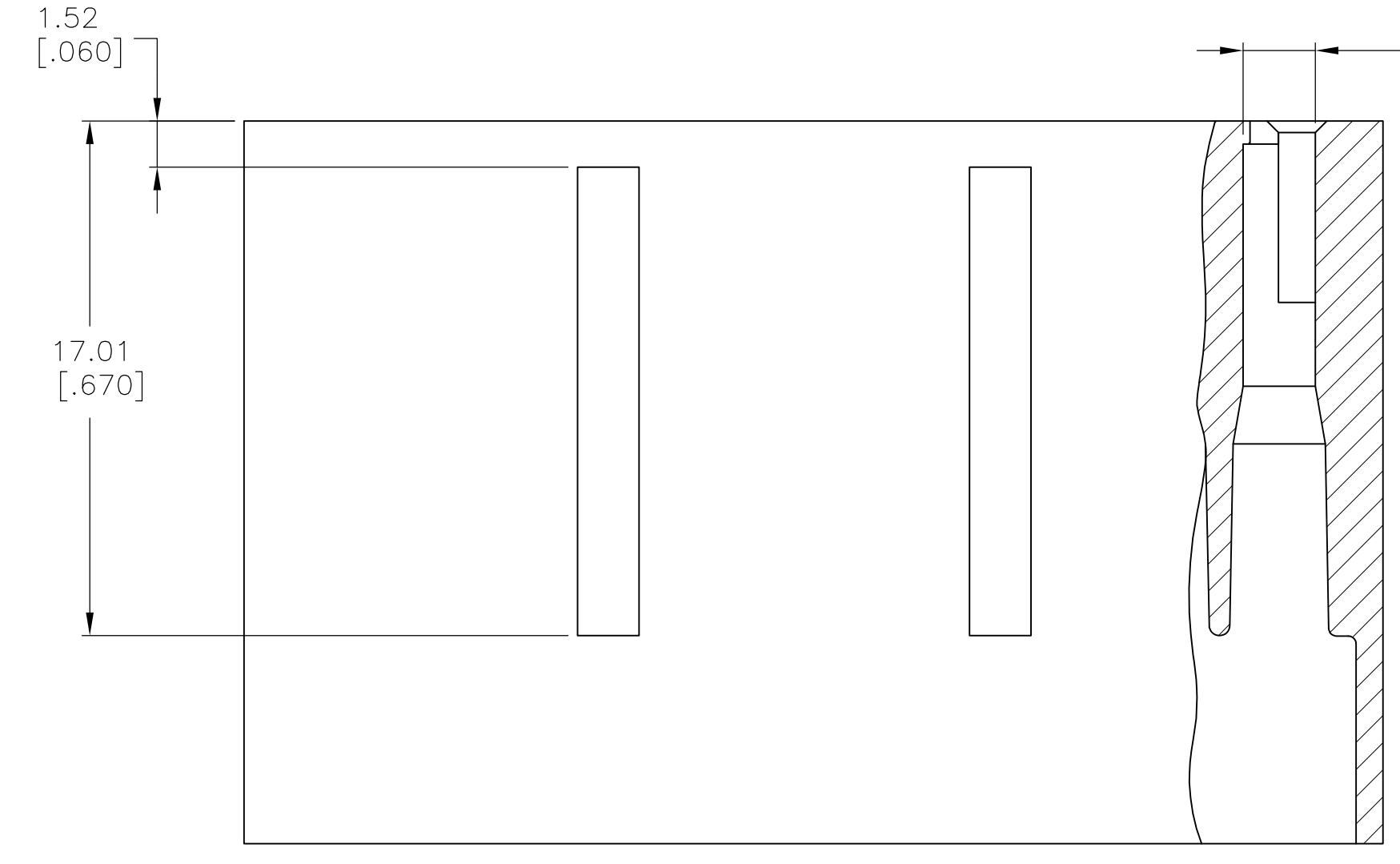
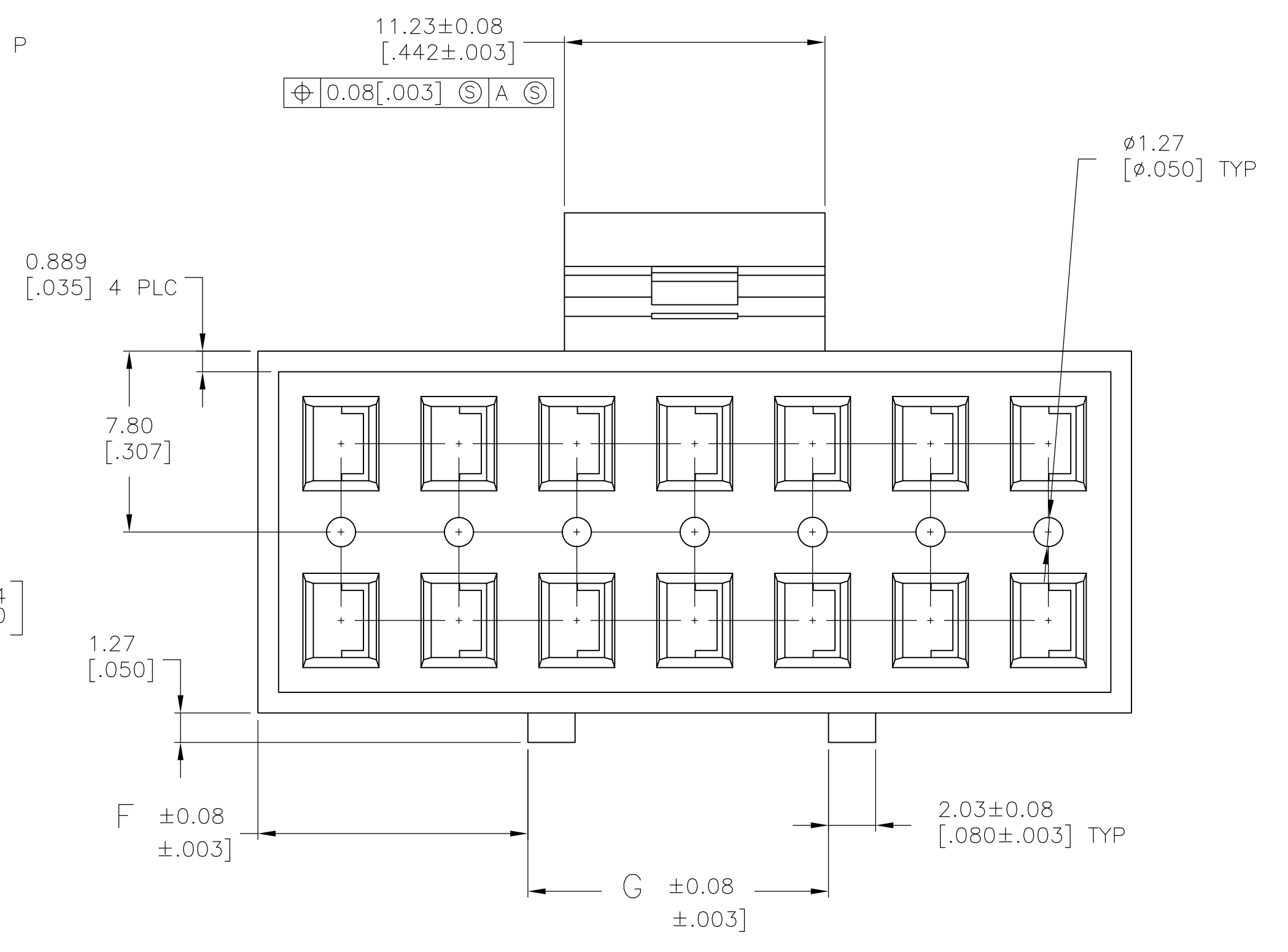


VIEW P  
SCALE 10:1

- 1 HOUSING IDENT. LETTER, 2.36[.093] HIGH CHARS., RAISED 0.08-0.13[.003-.005] HIGH IN APPROX. AREA SHOWN. SEE TABLE FOR LETTER.
- 2 BLUSHING PERMISSIBLE IN THIS AREA.
- 3 OBSOLETE PARTS: OBSOLETE CIS STREAMLINING PER D.RENAUD/D.SINISI



SECTION R-R



3 OBSOLETE	X	7.87 [.310]	14.17 [.558]	14	103367-3
	Y	18.03 [.710]	9.09 [.358]	14	103367-2
	Z	12.95 [.510]	11.63 [.458]	14	103367-1
HOUSING IDENT LETTER	G	F	NO OF POSN	PART NO	

THIS DRAWING IS A CONTROLLED DOCUMENT.

DIMENSIONS: mm [INCHES]	TOLERANCES UNLESS OTHERWISE SPECIFIED:	DIN J. GALLUCCI 14AUG89	Tyco Electronics Tyco Electronics Corporation Harrisburg, PA 17105-3608
0 PLC ± -	1 PLC ± -	21AUG89	
2 PLC ± -	3 PLC ± 0.13[.005]	C. OBERMAN	HOUSING, MOD I
4 PLC ± -	ANGLES ± α-30°	MARIAN CLARK	
MATERIAL: FLAME RETARDANT THERMOPLASTIC COLOR-BLACK	FINISH: -	APPLICATION SPEC	SIZE: A1
CUSTOMER DRAWING		WEIGHT: -	SCALE: 5:1
DRAWING NO: 100779		RESTRICTED TO: -	SHEET 1 OF 1
DRAWING NO: 103367		REV: 1	REV: 1



## X-ON Electronics

Largest Supplier of Electrical and Electronic Components

*Click to view similar products for [Headers & Wire Housings](#) category:*

*Click to view products by [TE Connectivity](#) manufacturer:*

Other Similar products are found below :

[95000-104TRLF](#) [10135584-644402LF](#) [DF62W-EP2022PCA](#) [95000-106TRLF](#) [DF62W-2022SCA](#) [DF62W-EP2022PC](#) [2203348](#) [DF62W-2022SC](#) [1084018](#) [1029039](#) [1084017](#) [802-10-012-10-002000](#) [1112640](#) [1112639](#) [000-34000](#) [0009482033](#) [0009507031](#) [57102-S06-03LF](#) [57202-S52-04LF](#) [PCN6-15S-2.5E](#) [0039019024](#) [58102-G61-06LF](#) [582553-1](#) [0009485154](#) [0009508121](#) [0022285053](#) [0050291907](#) [018731A](#) [LY20-4P-DT1-P1E-BR](#) [02.125.8002.8](#) [60101931](#) [60598-1 \(Cut Strip\)](#) [M1625-3R/100](#) [61062-3](#) [61082-181009](#) [636-1427](#) [638009-1](#) [641938-9](#) [641991-4](#) [644168-1](#) [647662-1](#) [65039-019ELF](#) [65817-002LF](#) [65817-015LF](#) [65863-015LF](#) [66207-023LF](#) [67016-026LF](#) [67046-001LF](#) [67095-007LF](#) [67230-005LF](#)