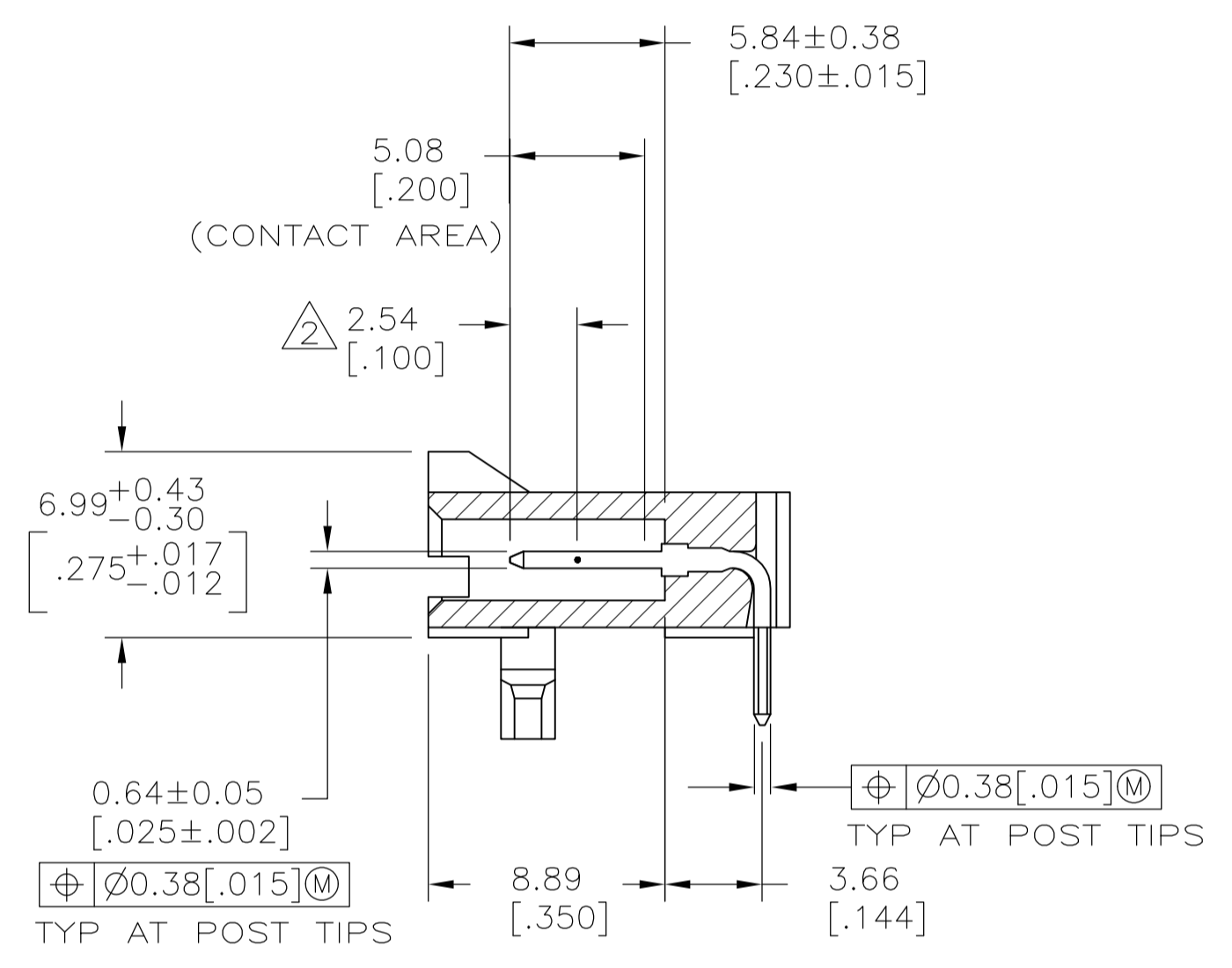
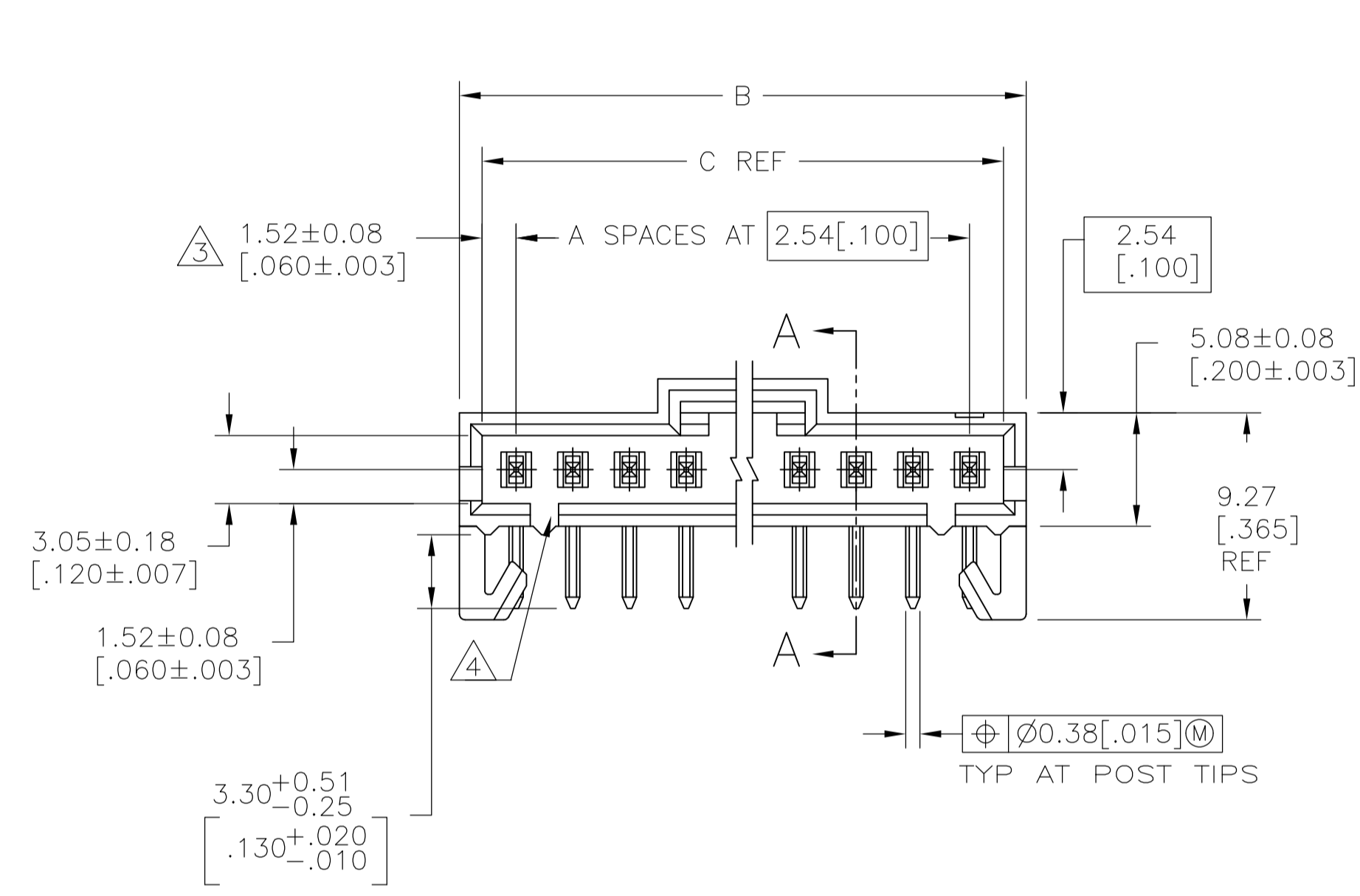
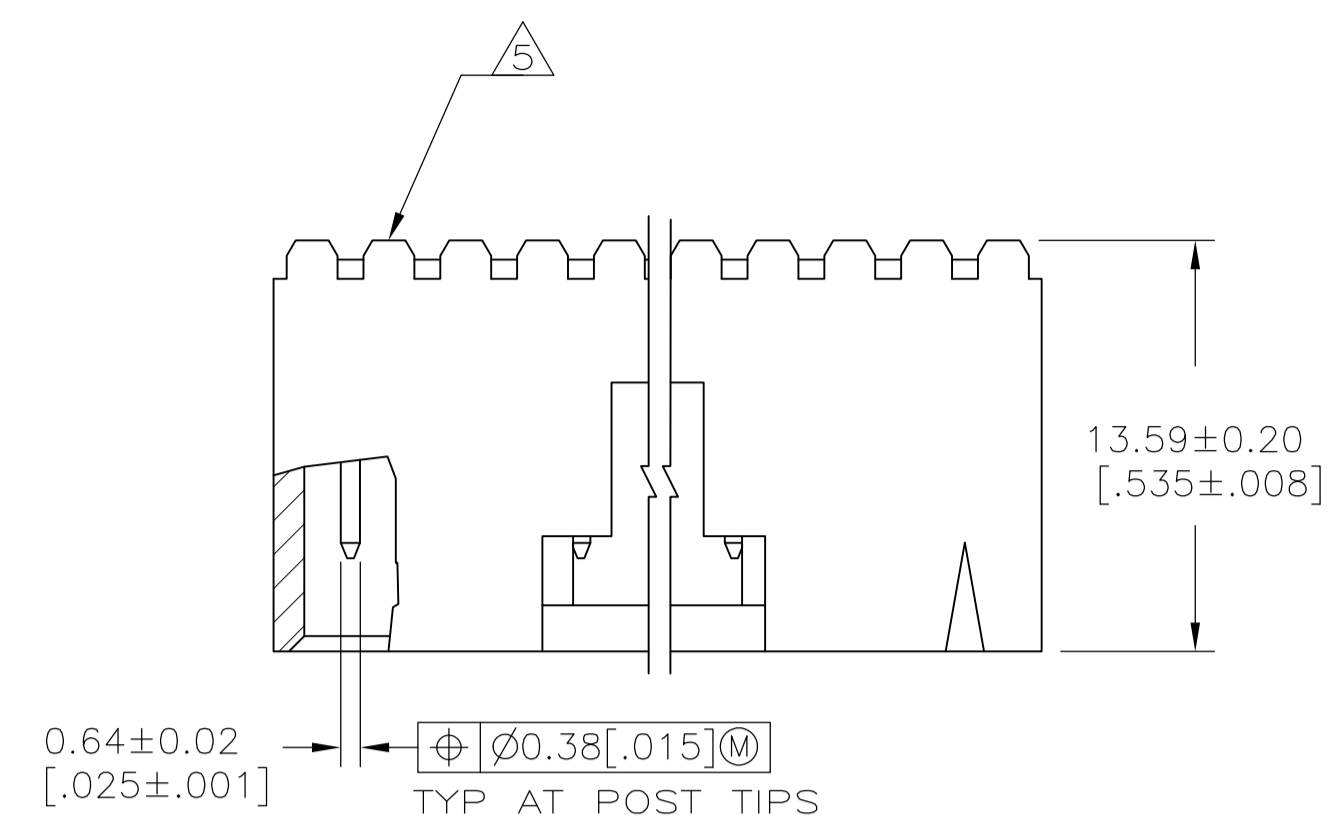
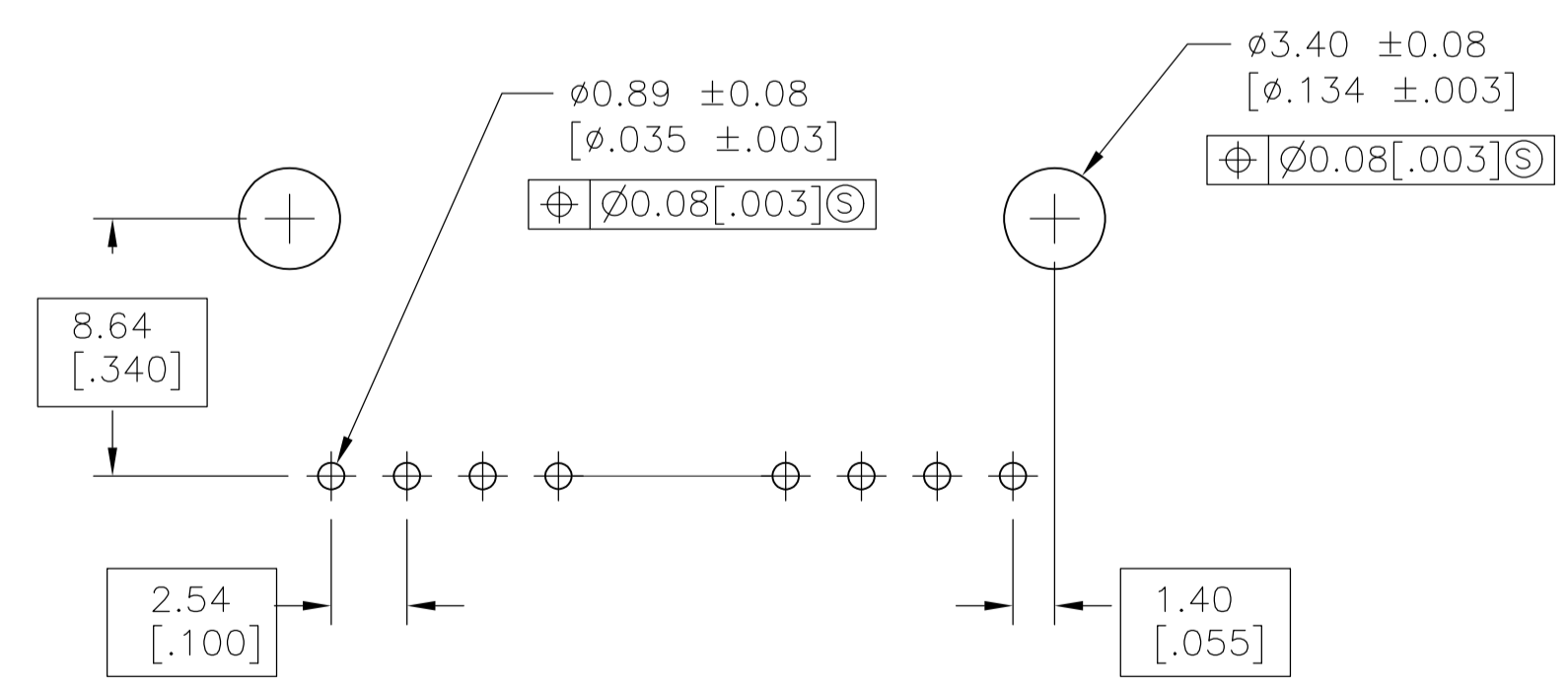


REVISIONS					
P	LTR	DESCRIPTION	DATE	DMN	APVD
AC3	REVISED PER	ECO-11-004587	11MAR11	RK	HMR
AD	REVISED PER	ECO-17-002583	08APR2017	RS	MM



SECTION A-A



RECOMMENDED HOLE LAYOUT

THIS DRAWING IS A CONTROLLED DOCUMENT.		DW: R BROWN 09FEB01	 TE Connectivity
DIMENSIONS: mm		CHK: K WRIGHT 09FEB01	
TOLERANCES UNLESS OTHERWISE SPECIFIED:		APVD: K WRIGHT 09FEB01	NAME: HDR ASSY, RTANG, SINGLE ROW
0. PLC ± -	1. PLC ± -	PRODUCT SPEC: 108-25034	2.54[.100] CL, 0.64[.025] SQ POST,
2. PLC ± 0.13[.005]	3. PLC ± -	APPLICATION SPEC: 114-25026	WITH PLZN & HOLD DOWNS, AMPMODU MTE
4. PLC ± -	ANGLES ± -	SIZE: A1	WEIGHT: 100779
MATERIAL: SEE TABLE	FINISH: SEE TABLE	DRAWING NO: 103672	RESTRICTED TO: -
CUSTOMER DRAWING		SCALE: 4:1	SHEET 1 OF 2

REVISIONS					
P	LTR	DESCRIPTION	DATE	DMN	APVD
		SEE SHEET 1	-	-	-

- ① .000100 BRIGHT TIN-LEAD OVER .000050 NICKEL.
- ② POINT OF MEASUREMENT FOR PLATING THICKNESS.
- ③ THE NOTED DIMENSIONS APPLY AT THE INTERSECTION OF THE POST AND THE HOUSING.
- ④ ON ASSEMBLIES WITH FOUR OR MORE POSITIONS, TWO POLARIZATION SLOTS.
ON ASSEMBLIES WITH TWO OR THREE POSITIONS, ONE POLARIZATION SLOT.
- ⑤ AMP TRADEMARK MOLDED ON THIS SURFACE.
- 6. FOR USE WITH 1.57±0.20[.062±.008] PRINTED CIRCUIT BOARD.
- △ MATERIAL: HOUSING- FLAME RETARDANT LCP, COLOR-BLACK.
POSTS- BRASS.
- ⑧ .000100 BRIGHT TIN OVER .000050 NICKEL.
- ⑨ PRELIMINARY PART - NOT RELEASED FOR PRODUCTION.
- ⑩ .000100 MATTE TIN OVER .000050 NICKEL.
- ⑪ HIGH TEMPERATURE CONFIGURATION
- ⑫ OBSOLETE PARTS: OBSOLETE CIS STREAMLINING PER D.RENAUD/D.SINISI

		64.01 [2.520]	65.91 [2.595]	24	25	⑫ 7-103672-4
		61.47 [2.420]	63.37 [2.495]	23	24	⑫ 7-103672-3
		58.93 [2.320]	60.83 [2.395]	22	23	⑫ 7-103672-2
		56.39 [2.220]	58.29 [2.295]	21	22	⑫ 7-103672-1
		53.85 [2.120]	55.75 [2.195]	20	21	⑫ 7-103672-0
		51.31 [2.020]	53.21 [2.095]	19	20	6-103672-9
		48.77 [1.920]	50.67 [1.995]	18	19	⑫ 6-103672-8
		46.23 [1.820]	48.13 [1.895]	17	18	⑫ 6-103672-7
		43.69 [1.720]	45.59 [1.795]	16	17	⑫ 6-103672-6
		41.15 [1.620]	43.05 [1.695]	15	16	6-103672-5
		38.61 [1.520]	40.51 [1.595]	14	15	⑫ 6-103672-4
		36.07 [1.420]	37.97 [1.495]	13	14	⑫ 6-103672-3
		33.53 [1.320]	35.43 [1.395]	12	13	⑫ 6-103672-2
		30.99 [1.220]	32.89 [1.295]	11	12	6-103672-1
		28.45 [1.120]	30.35 [1.195]	10	11	⑫ 6-103672-0
		25.91 [1.020]	27.81 [1.095]	9	10	5-103672-9
		23.37 [.920]	25.27 [0.995]	8	9	⑫ 5-103672-8
		20.83 [.820]	22.73 [.895]	7	8	5-103672-7
		18.29 [.720]	20.19 [.795]	6	7	5-103672-6
		15.75 [.620]	17.65 [.695]	5	6	5-103672-5
		13.21 [.520]	15.11 [.595]	4	5	5-103672-4
		10.67 [.420]	12.57 [.495]	3	4	5-103672-3
		8.13 [.320]	10.03 [.395]	2	3	5-103672-2
		5.59 [.220]	7.49 [.295]	1	2	5-103672-1
REMARKS	PLATING	C	B	A	NO. OF POSN	PART NO.

		25.91 [1.020]	27.81 [1.095]	9	10	3-103672-0
		15.75 [.620]	17.65 [.695]	5	6	2-103672-9
		5.59 [.220]	7.493 [.295]	1	2	2-103672-8
		13.21 [.520]	15.11 [.595]	4	5	2-103672-7
		10.67 [.420]	12.57 [.495]	3	4	2-103672-6
		8.13 [.320]	10.03 [.395]	2	3	2-103672-5
		64.01 [2.520]	65.91 [2.595]	24	25	⑫ 2-103672-4
		61.47 [2.420]	63.37 [2.495]	23	24	⑫ 2-103672-3
		58.93 [2.320]	60.83 [2.395]	22	23	⑫ 2-103672-2
		56.39 [2.220]	58.29 [2.295]	21	22	⑫ 2-103672-1
		53.85 [2.120]	55.75 [2.195]	20	21	⑫ 2-103672-0
		51.31 [2.020]	53.21 [2.095]	19	20	⑫ 1-103672-9
		48.77 [1.920]	50.67 [1.995]	18	19	⑫ 1-103672-8
		46.23 [1.820]	48.13 [1.895]	17	18	⑫ 1-103672-7
		43.69 [1.720]	45.59 [1.795]	16	17	⑫ 1-103672-6
		41.15 [1.620]	43.05 [1.695]	15	16	1-103672-5
		38.61 [1.520]	40.51 [1.595]	14	15	1-103672-4
		36.07 [1.420]	37.97 [1.495]	13	14	⑫ 1-103672-3
		33.53 [1.320]	35.43 [1.395]	12	13	⑫ 1-103672-2
		30.99 [1.220]	32.89 [1.295]	11	12	1-103672-1
		28.45 [1.120]	30.35 [1.195]	10	11	1-103672-0
		25.91 [1.020]	27.81 [1.095]	9	10	103672-9
		23.37 [.920]	25.27 [0.995]	8	9	103672-8
		20.83 [.820]	22.73 [.895]	7	8	103672-7
		18.29 [.720]	20.19 [.795]	6	7	103672-6
		15.75 [.620]	17.65 [.695]	5	6	103672-5
		13.21 [.520]	15.11 [.595]	4	5	103672-4
		10.67 [.420]	12.57 [.495]	3	4	103672-3
		8.13 [.320]	10.03 [.395]	2	3	103672-2
		5.59 [.220]	7.49 [.295]	1	2	103672-1
REMARKS	PLATING	C	B	A	NO. OF POSN	PART NO.

THIS DRAWING IS A CONTROLLED DOCUMENT.

DIMENSIONS:	TOLERANCES UNLESS OTHERWISE SPECIFIED:	DIN R BROWN 09FEB01	APVD K WRIGHT 09FEB01	NAME
mm	0 PLC ± - 1 PLC ± - 2 PLC ± 0.13[.005] 3 PLC ± - 4 PLC ± - ANGLES ± -	CHK K WRIGHT 09FEB01	APVD K WRIGHT 09FEB01	HDR ASSY, RTANG, SINGLE ROW
	SEE TABLE	SIZE 114-25026	SCALE 4:1	TE Connectivity
MATERIAL	FINISH	WEIGHT	RESTRICTED TO	PRODUCT SPEC 108-25034
△		A1 00779	103672	APPLICATION SPEC 114-25026
		CUSTOMER DRAWING	SHEET 2 OF 2	WITH PLZN & HOLD DOWNS, AMPMODU MTE

X-ON Electronics

Largest Supplier of Electrical and Electronic Components

Click to view similar products for [Headers & Wire Housings](#) category:

Click to view products by [TE Connectivity](#) manufacturer:

Other Similar products are found below :

[95000-104TRLF](#) [10135584-644402LF](#) [DF62W-EP2022PCA](#) [95000-106TRLF](#) [DF62W-2022SCA](#) [DF62W-EP2022PC](#) [2203348](#) [DF62W-2022SC](#) [1084018](#) [1029039](#) [1084017](#) [802-10-012-10-002000](#) [1112640](#) [1112639](#) [000-34000](#) [0009482033](#) [0009507031](#) [57102-S06-03LF](#) [57202-S52-04LF](#) [PCN6-15S-2.5E](#) [0039019024](#) [58102-G61-06LF](#) [582553-1](#) [0009485154](#) [0009508121](#) [0022285053](#) [0050291907](#) [018731A](#) [LY20-4P-DT1-P1E-BR](#) [02.125.8002.8](#) [60101931](#) [60598-1 \(Cut Strip\)](#) [M1625-3R/100](#) [61062-3](#) [61082-181009](#) [636-1427](#) [638009-1](#) [641938-9](#) [641991-4](#) [644168-1](#) [647662-1](#) [65039-019ELF](#) [65817-002LF](#) [65817-015LF](#) [65863-015LF](#) [66207-023LF](#) [67016-026LF](#) [67046-001LF](#) [67095-007LF](#) [67230-005LF](#)