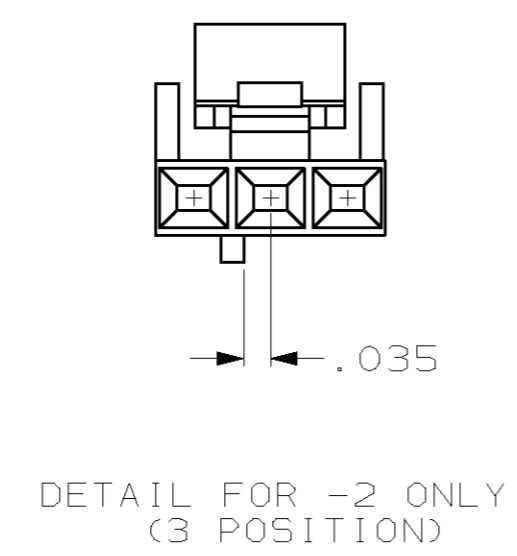
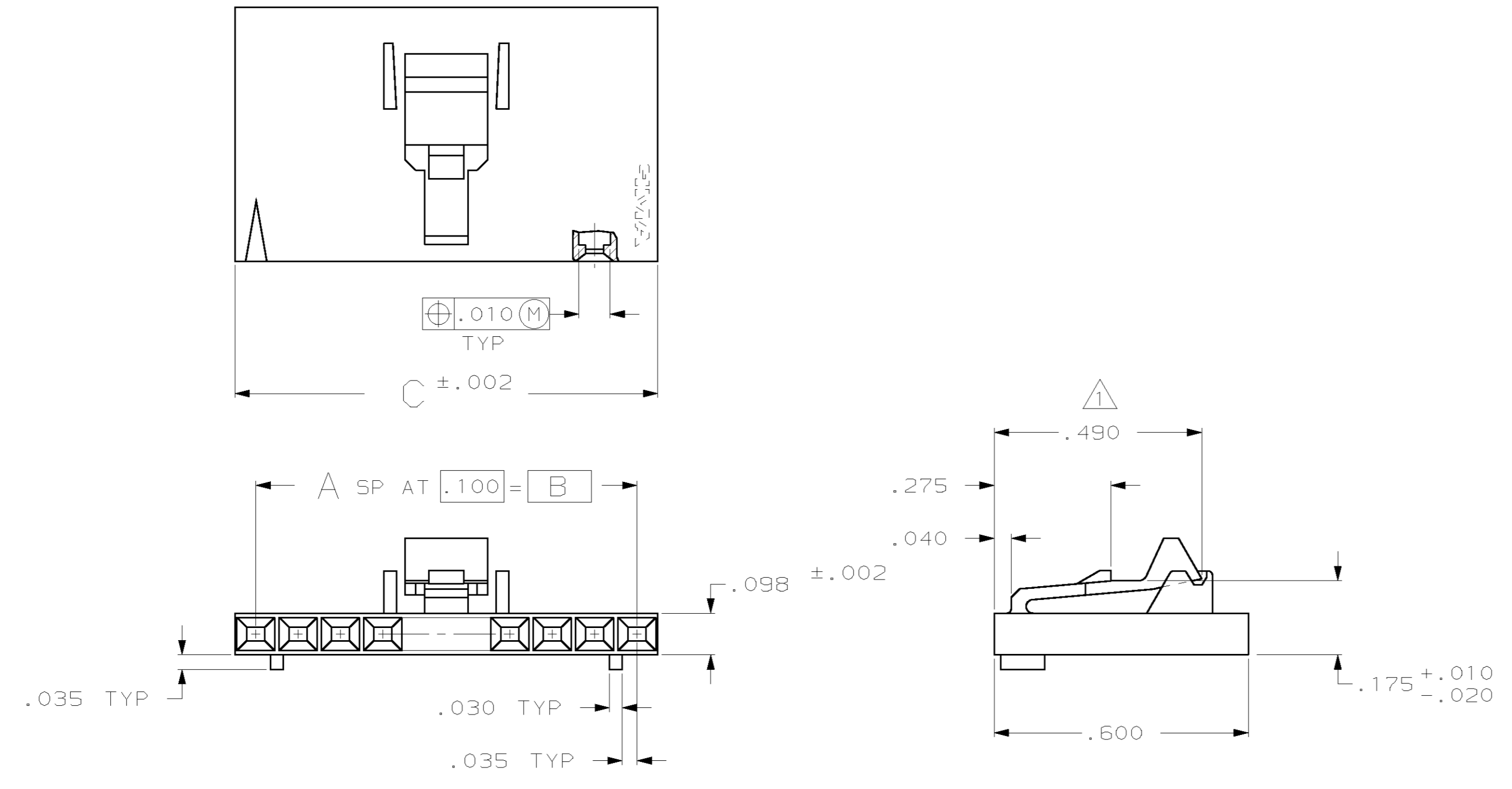


THIS DRAWING IS UNPUBLISHED. RELEASED FOR PUBLICATION  
 BY AMP INCORPORATED, ALL RIGHTS RESERVED.

| LOC | DIST | REVISIONS   |                      |         |       |
|-----|------|-------------|----------------------|---------|-------|
| P   | LTR  | DESCRIPTION | DATE                 | DWN     | APVD  |
| AD  | 39   | B           | REV PER 063C-0367-04 | 16AUG04 | RB JG |

△1 THIS DIMENSION .480 FOR 2 POSN ONLY  
 △2 PRELIMINARY PART - NOT RELEASED FOR PRODUCTION.



|    |      |      |   |            |             |
|----|------|------|---|------------|-------------|
| △2 | .998 | .900 | 9 | 10         | 104920-9    |
| △2 | .898 | .800 | 8 | 9          | 104920-8    |
|    | .498 | .400 | 4 | 5          | 104920-4    |
|    | .398 | .300 | 3 | 4          | 104920-3    |
|    | .298 | .200 | 2 | 3          | 104920-2    |
|    | C    | B    | A | NO OF POSN | PART NUMBER |

| DIMENSIONS:                   |  | TOLERANCES UNLESS OTHERWISE SPECIFIED: |  | DWN                 |  | AMP                              |  |
|-------------------------------|--|--|--|---------------------|--|----------------------------------|--|
| in                            |  | 0 PLC ±                                |  | J.HERRINGTON 2-8-95 |  | AMP Incorporated                 |  |
|                               |  | 1 PLC ±                                |  | CHK 2-8-95          |  | Harrisburg, PA 17105-3608        |  |
|                               |  | 2 PLC ±                                |  | APVD 2-8-95         |  | NAME                             |  |
|                               |  | 3 PLC ±.005                            |  | D. DUPLER           |  | RECEPTACLE HOUSING, AMPMODU MTE, |  |
|                               |  | 4 PLC ±                                |  | PRODUCT SPEC        |  | SINGLE ROW, .100 CL,             |  |
|                               |  | ANGLES ±                               |  | 108-25034           |  | POLARIZED WITH LATCH             |  |
|                               |  | FINISH -                               |  | APPLICATION SPEC    |  | SIZE CAGE CODE DRAWING NO        |  |
| MATERIAL                      |  |  |  | 114-25026           |  | A2 00779 C-104920                |  |
| FLAME RETARDANT POLYCARBONATE |  |  |  | WEIGHT -            |  | SCALE 4:1 SHEET 1 OF 1 REV B     |  |
|                               |  |  |  | CUSTOMER DRAWING    |  |                                  |  |

## X-ON Electronics

Largest Supplier of Electrical and Electronic Components

*Click to view similar products for [Headers & Wire Housings](#) category:*

*Click to view products by [TE Connectivity](#) manufacturer:*

Other Similar products are found below :

[95000-104TRLF](#) [10135584-644402LF](#) [DF62W-EP2022PCA](#) [95000-106TRLF](#) [DF62W-2022SCA](#) [DF62W-EP2022PC](#) [2203348](#) [DF62W-2022SC](#) [1084018](#) [1029039](#) [1084017](#) [802-10-012-10-002000](#) [1112640](#) [1112639](#) [000-34000](#) [0009482033](#) [0009507031](#) [57102-S06-03LF](#) [57202-S52-04LF](#) [PCN6-15S-2.5E](#) [0039019024](#) [58102-G61-06LF](#) [582553-1](#) [0009485154](#) [0009508121](#) [0022285053](#) [0050291907](#) [018731A](#) [LY20-4P-DT1-P1E-BR](#) [02.125.8002.8](#) [60101931](#) [60598-1 \(Cut Strip\)](#) [M1625-3R/100](#) [61062-3](#) [61082-181009](#) [636-1427](#) [638009-1](#) [641938-9](#) [641991-4](#) [644168-1](#) [647662-1](#) [65039-019ELF](#) [65817-002LF](#) [65817-015LF](#) [65863-015LF](#) [66207-023LF](#) [67016-026LF](#) [67046-001LF](#) [67095-007LF](#) [67230-005LF](#)