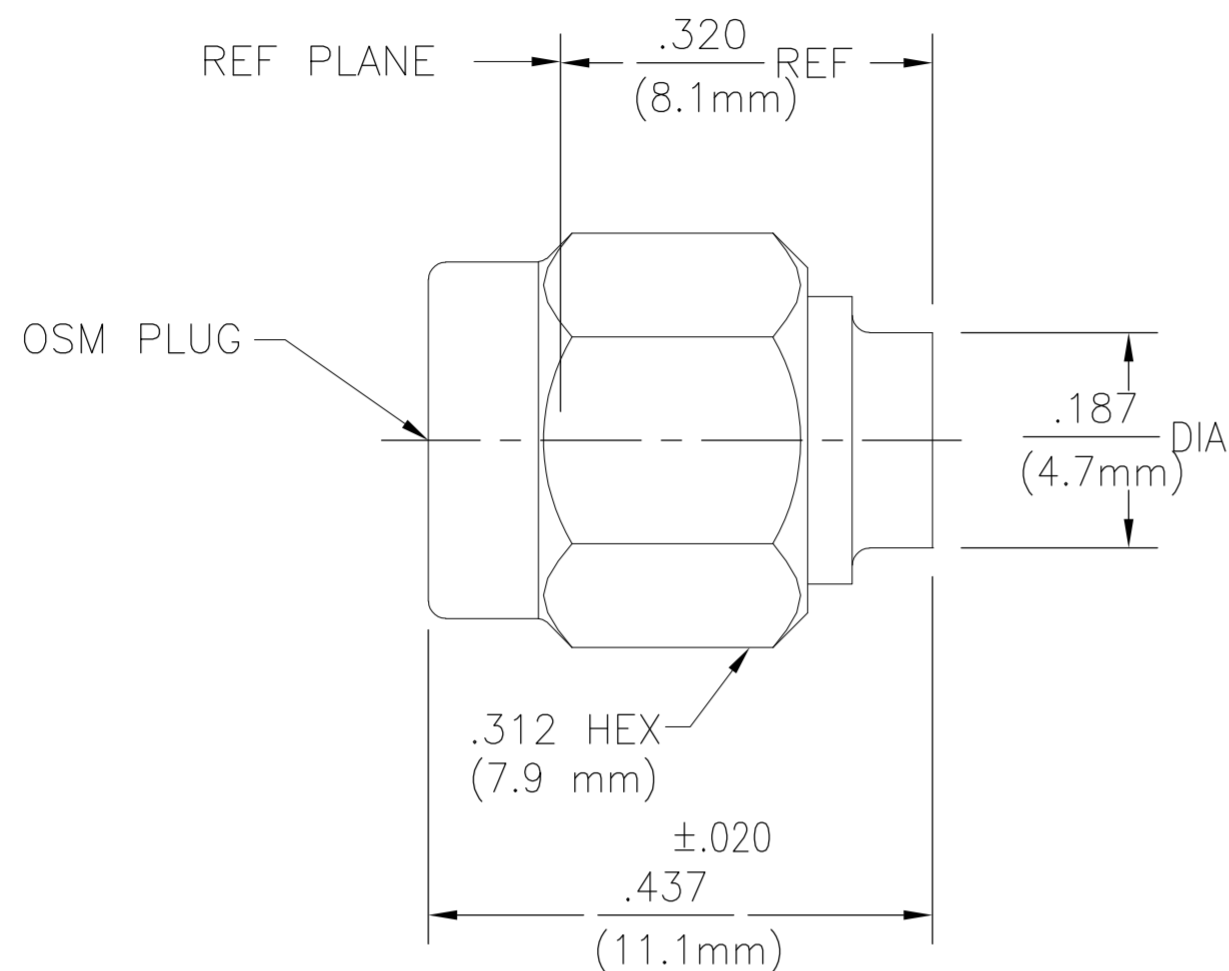


THIS DRAWING IS UNPUBLISHED. RELEASED FOR PUBLICATION
 © COPYRIGHT BY TYCO ELECTRONICS CORPORATION. ALL INTERNATIONAL RIGHTS RESERVED.

DESIGNED FOR USE WITH
 .085 DIA S.R. CABLE
 CABLE ENTRY DIAMETER
 MINIMUM

CONTACT	.021
HOUSING	.089

LOC	DIST	REVISIONS			
P	LTR	DESCRIPTION	DATE	DWN	APVD
	AJ	00			
B		REV PER ECO 07-004710	03-14-07	DW	KW
C		REVISED PER ECO-08-030676	02-24-09	AEG	JKO



- ① BRASS
- ② STAINLESS STEEL
- ③ BERYLLIUM COPPER
- ④ PTFE
- ⑤ GOLD PLATE
- ⑥ PASSIVATED
- ⑦ SILICONE RUBBER
- ⑧ NICKEL PLATE

ELECTRICAL	MECHANICAL	ENVIRONMENTAL
Nominal Impedance (Ohms) <u>50</u>	Interface Dimensions MIL-STD-348, Fig. <u>310.1</u>	TEMPERATURE RATING <u>-65°C TO 105°C</u>
Frequency Range (GHz) DC to <u>18.0</u>	Recommended Mating	Vibration MIL-STD-202, Method 204, Condition D.
Volt Rating (VRMS MAX) @ Sea Level <u>335</u>	Torque <u>7 to 10 in-lbs</u>	Shock MIL-STD-202, Method 213, Condition I.
VSWR <u>1.07 + .008 f(GHz)</u>	Coupling Nut:	Thermal Shock MIL-STD-202, Method 107, Condition B, EXCEPT HIGH TEMP <u>115°C</u> .
Insertion Loss (dB MAX) <u>.03 √f(GHz)</u>	Retention (lbs MIN) <u>60</u>	Moisture Resistance MIL-STD-202, Method 106.
RF Leakage (dB MIN) <u>-[90-f(GHz)]</u>	Proof Torque (in-lbs MIN) <u>15</u>	Corrosion - MIL-STD-202, Method 101, Condition B, 5% salt spray.
Dielectric Withstanding Voltage (VRMS MIN) @ Sea Level <u>1,000</u>	Force to Engage and Disengage (in-lbs MAX) <u>2.0</u>	
Contact Resistance (Milliohms MAX)	Center Contact Captivation	
Center Contact <u>3.0</u>	Axial (lbs) <u>N/A</u>	
Outer Contact <u>2.0</u>	Radial (in-oz) <u>N/A</u>	
Cable to Housing <u>0.5</u>	Cable Retention	
RF High Potential @ Sea Level (VRMS MIN @ 5 MHz) <u>670</u>	Axial Force (lbs MIN) <u>30</u>	
I.R.(Megohms MIN) <u>10,000</u>	Torque (in-oz MIN) <u>16</u>	
	Weight (Grams) <u>2.2</u>	

④	③⑤	①⑤	①⑧	⑦	③	1050651-2
④	③⑤	②⑤	②⑥	⑦	③	1050651-1
DIELECTRIC	CONTACT	HOUSING	COUPLING NUT	GASKET	RETAINING RING	TE PN

THIS DRAWING IS A CONTROLLED DOCUMENT.

DWN	SD	9/23/92	Tyco Electronics Corporation Harrisburg, PA 17105-3608			
CHK	-	-				
APVD	BB	9/23/92	NAME OSM STRAIGHT CABLE PLUG DIRECT SOLDER ATTACHMENT			
PRODUCT SPEC	-	-				
APPLICATION SPEC	-	-	SIZE	CAGE CODE	DRAWING NO	RESTRICTED TO
-	-	-	A2	00779	C=1050651	-
MATERIAL	FINISH	WEIGHT	CUSTOMER DRAWING		SCALE	SHEET
-	-	-	6:1		1 of 1	REV C

X-ON Electronics

Largest Supplier of Electrical and Electronic Components

Click to view similar products for [RF Connectors](#) / [Coaxial Connectors](#) category:

Click to view products by [TE Connectivity](#) manufacturer:

Other Similar products are found below :

[R125315120](#) [8915-1511-000](#) [89674-0827](#) [5916-1103-603](#) [0106-001-000](#) [6-0001-3](#) [6001-7071-019](#) [6002-7051-003](#) [6002-7551-202](#) [6059674-1](#) [619550-1](#) [630059-000](#) [M39012/25-0021](#) [M39012/79-3008](#) [M39030/3-01N](#) [M39030/3-03N](#) [M3933/25-36N](#) [6500-7071-046](#) [6501-1071-002](#) [M83723/72W2457N](#) [6769](#) [CX050L2AQ](#) [7002-1541-010](#) [7002-1572-002](#) [7003-1572-002](#) [7004-1512-000](#) [7009-1511-004](#) [7010-1511-000](#) [7029-1511-060](#) [7101-1541-010](#) [7101-1571-002](#) [7105-1521-002](#) [7145-1521-002](#) [7209-1511-011](#) [7210-1511-012](#) [7210-1511-015](#) [7210-1511-019](#) [7210-1511-040](#) [7225-1512-050](#) [7242-1511-000](#) [73137-5015](#) [73251-0111](#) [73251-0672](#) [73276-1501](#) [73366-0013](#) [73404-2300](#) [73413-6080](#) [73415-5721](#) [7405-1521-005](#) [7405-1521-802](#)